


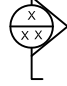
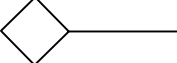
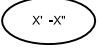




SCOPE OF WORK

SYMBOLS

CODE INFORMATION

-  NEW PARTITION
-  EXISTING WALL TO REMAIN
-  ELEVATION NUMBER
DRAWING NUMBER
-  SECTION DETAIL NUMBER
DRAWING NUMBER
-  PARTITION TYPE INDICATOR
-  CEILING HEIGHT A.F.F
-  CHANGE OF FLOOR MATERIAL
-  START POINT

TBD

 SCOPE OF WORK

DRAWING INDEX

A0	COVER SHEET
A1.1	PARTITION 1
A1.2	PARTITON 2
A2.1	REFLECTED CEILING PLAN 1
A2.2	REFLECTED CEILING PLAN 2
A2.3	REFLECTED CEILING PLAN TABLE
A3.1	POWER & TELECOM 1
A3.2	POWER & TELECOM 2
A4.1	FINISHES 1
A4.2	FINISHES 2
A4.3	FINISHES TABLE
F1.1	FURNITURE PLAN 1
F1.2	FURNITURE PLAN 2
F1.3	FURNITURE PLAN TABLE
A5.1	MILLWORK ELEVATION
A5.2	MILLWORK SECTION
A5.3	MILLWORK DETAIL
A6.1	FLOOR DETAIL
A6.2	CEILING DETAIL
A7.1	TYPICAL DETIALS

VICINITY PLAN

ABBREVIATIONS

ACT	ACOUSTICAL TILE
A.F.F	ABOVE FINISHED FLOOR
DTL	DETAIL
NTS	NOT TO SCALE
EXIST.	EXISTING

U:\vicinity plan.jpg

General Notes

1. ALL DRAWINGS TO SCALE UNLESS OTHERWISE NOTED

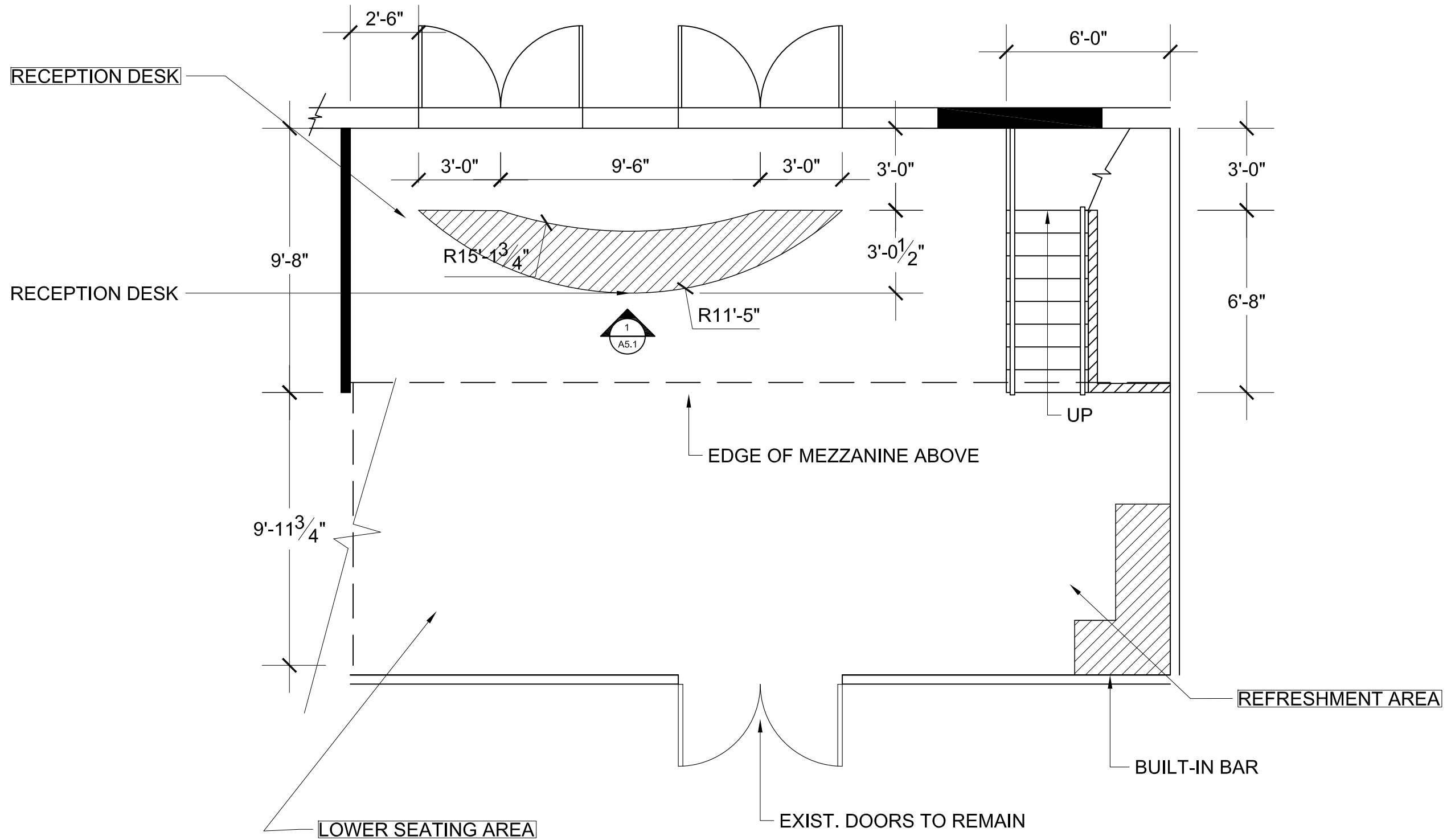
PROJECT ALLISON BROUILLETTE

No.	Revision/Issue	Date
-----	----------------	------

ALLISON BROUILLETTE

Project Name and Address

Project	Sheet
4/29/14	A0
AS NOTED	



General Notes

**PROJECT
ALLISON BROUILLETTE**

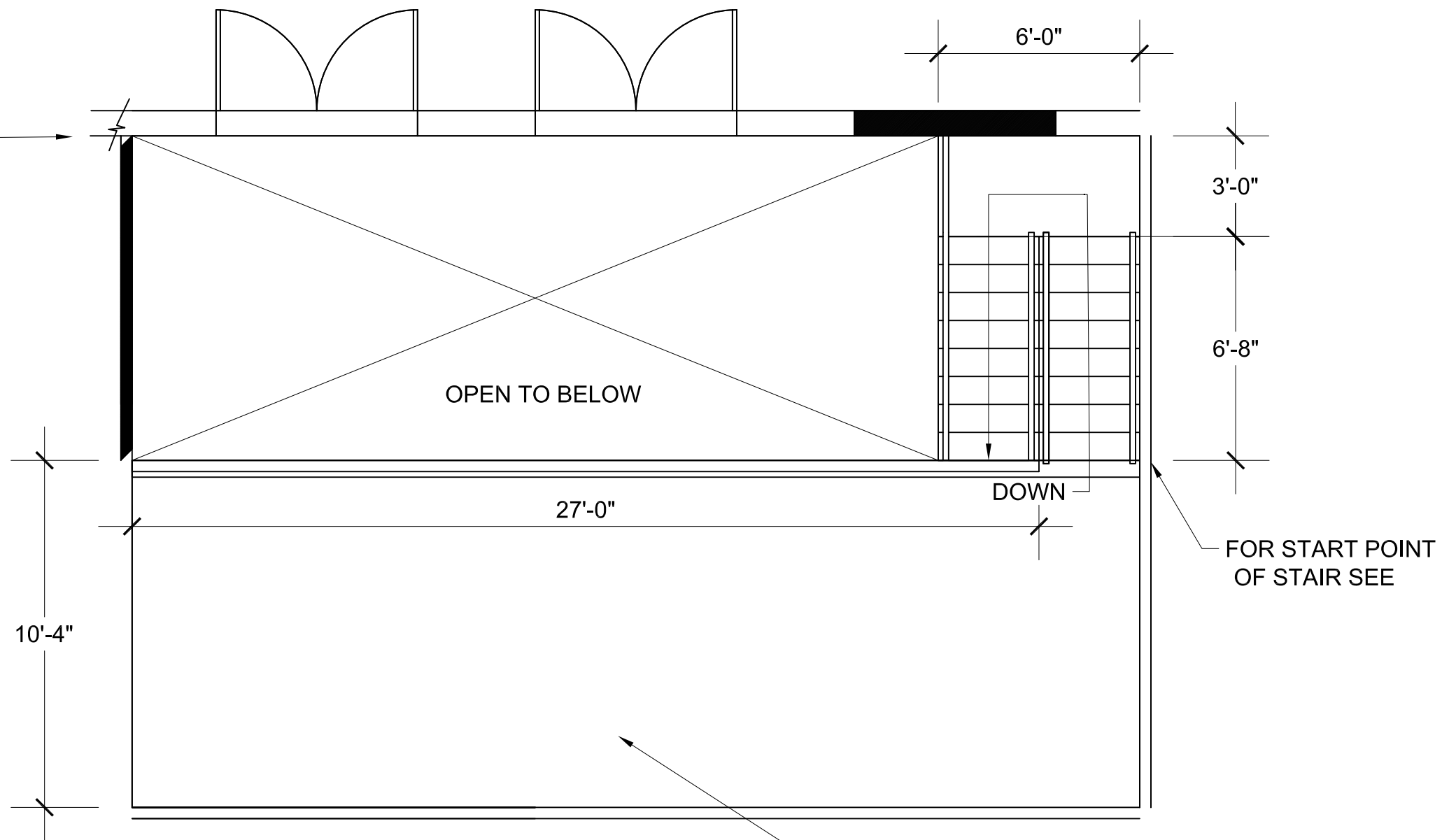
No.	Revision/Issue	Date

ALLISON
BROUILLETTE

Project Name and Address

Project	Sheet
4/29/14	A1.1
AS NOTED	

FOR LOCATION OF
NEW PARTITION SEE



OPEN TO BELOW

6'-0"

3'-0"

6'-8"

DOWN

FOR START POINT
OF STAIR SEE

10'-4"

27'-0"

MEZZANINE SEATING AREA

General Notes

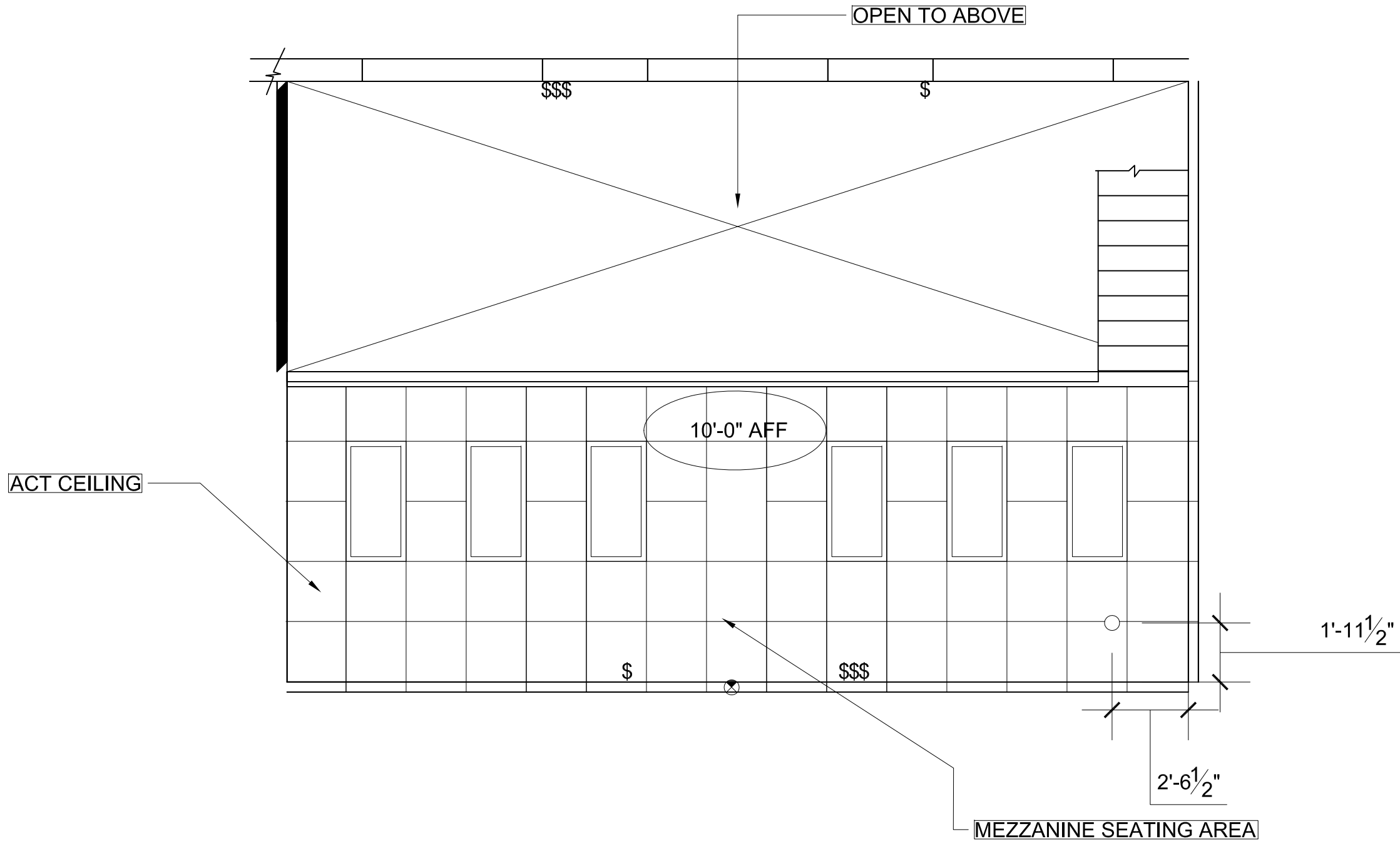
PROJECT ALLISON BROUILLETTE

No.	Revision/Issue	Date

ALLISON
BROUILLETTE

Project Name and Address

Project	Sheet
4/29/14	A1.2
AS NOTED	



General Notes

**PROJECT
ALLISON BROUILLETTE**

No.	Revision/Issue	Date

ALLISON
BROUILLETTE

Project Name and Address

Project	Sheet
4/29/14	A2.1
AS NOTED	

RECEPTION DESK

ACT CEILING

START FULL CEILING TILE

FOR CEILING HANGING
DTL SEE

1
A6.2

9'-0" A.F.F

\$\$\$

\$

REFRESHMENT AREA

6'-0"

12'-0 1/2"

LOWER SEATING AREA

General Notes

PROJECT ALLISON BROUILLETTE

No.	Revision/Issue	Date

ALLISON
BROUILLETTE

Project Name and Address

Project	Sheet
4/29/14	A2.2
AS NOTED	

LIGHTING FIXTURE SCHEDULE

SYMBOL	ITEM	MFR	MODEL #	FINISH	LAMP	NOTES
○	PENDANT LIGHT	WESTMORE LIGHTING	PT324006	BRONZE	60 WATT MEDIUM	REVIEW PLACEMENT WITH DESIGNER AFTER BAR INSTALLATION
◐	SCONCE	KENROY HOME	91931ORB	BRONZE	100 WATT	WALL-MOUNTED
▭	FLOURESCEN T TROFFER	MEALUX	2GR8432CF	WHITE	128 WATT	
⊗	EXIT SIGN	TBD	TBD	TBD	TBD	

General Notes

PROJECT
ALLISON BROUILLETTE

No.	Revision/Issue	Date

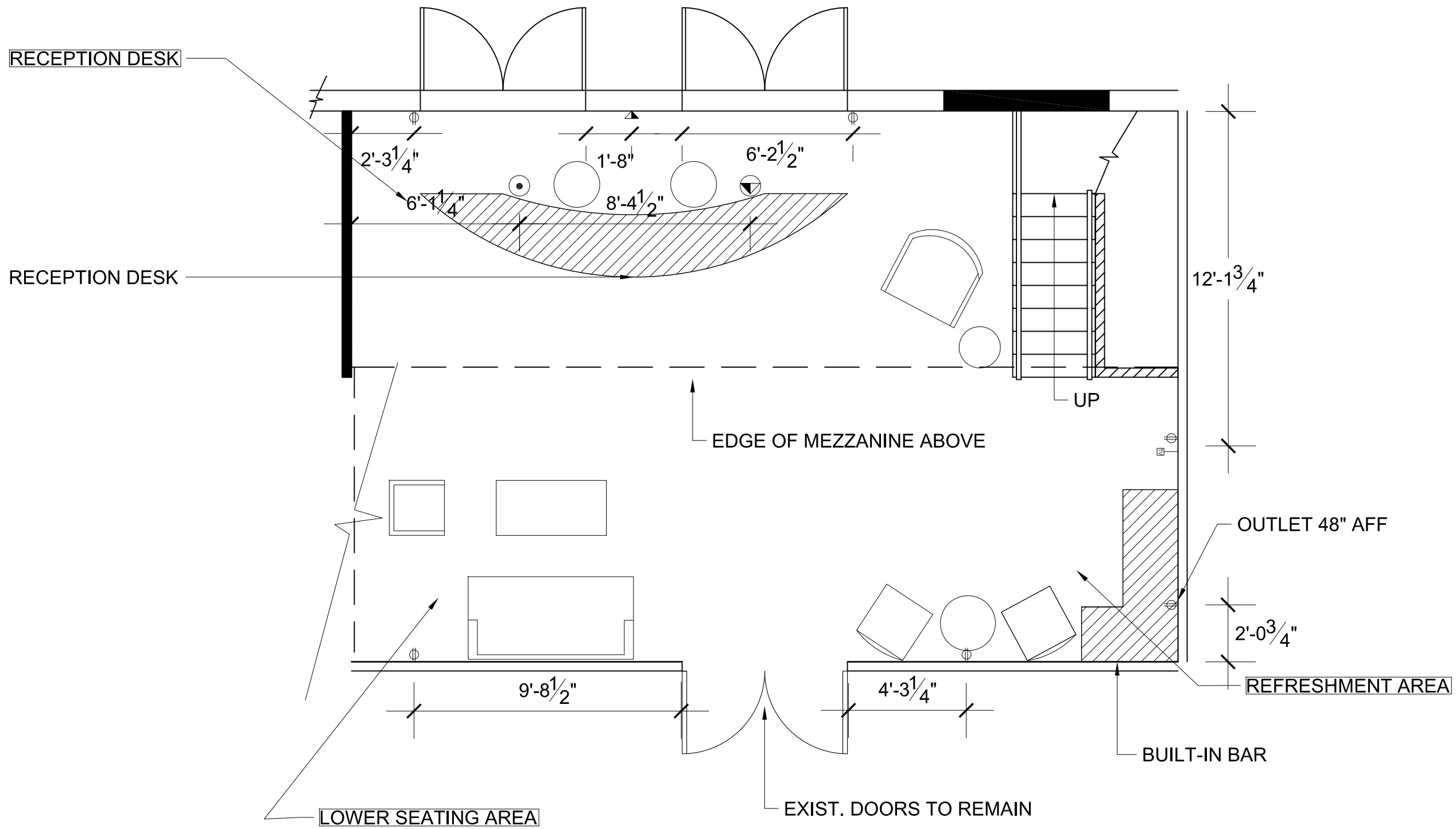
ALLISON
BROUILLETTE

Project Name and Address

Project	Sheet
4/29/14	A2.3
AS NOTED	

ALL OUTLETS 1'-6" AFF UNLESS OTHERWISE NOTED

DIMENSION TO CENTERLINE OF SINGLE OUTLET OR OUTLET CLUSTER



General Notes

PROJECT ALLISON BROUILLETTE

No.	Revision/Issue	Date

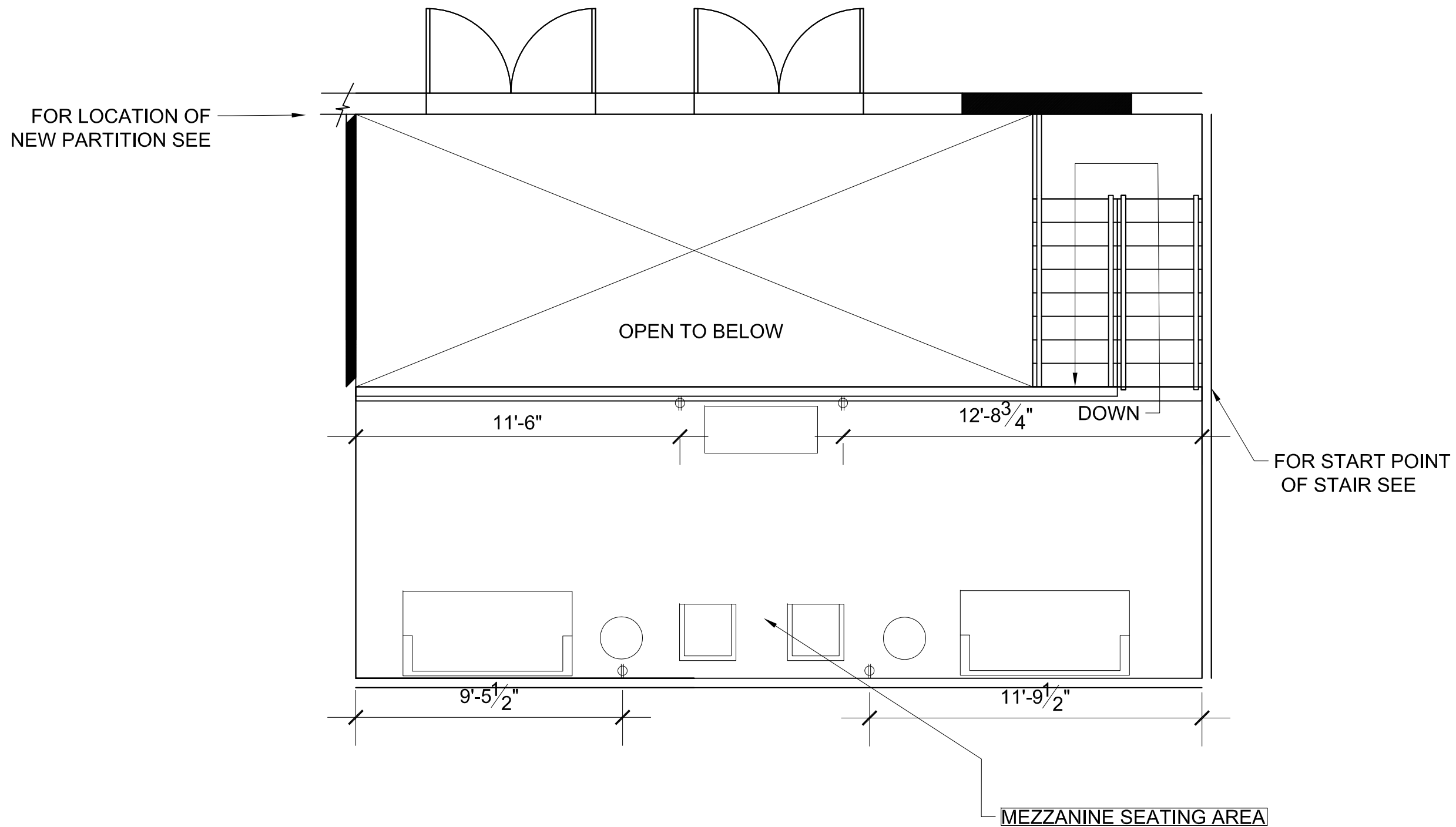
ALLISON BROUILLETTE

Project Name and Address

Project	Sheet
4/29/14	A3.1
AS NOTED	

ALL OUTLETS 1'-6" AFF UNLESS OTHERWISE NOTED

DIMENSION TO CENTERLINE OF SINGLE OUTLET OR OUTLET CLUSTER



General Notes

PROJECT
ALLISON BROUILLETTE

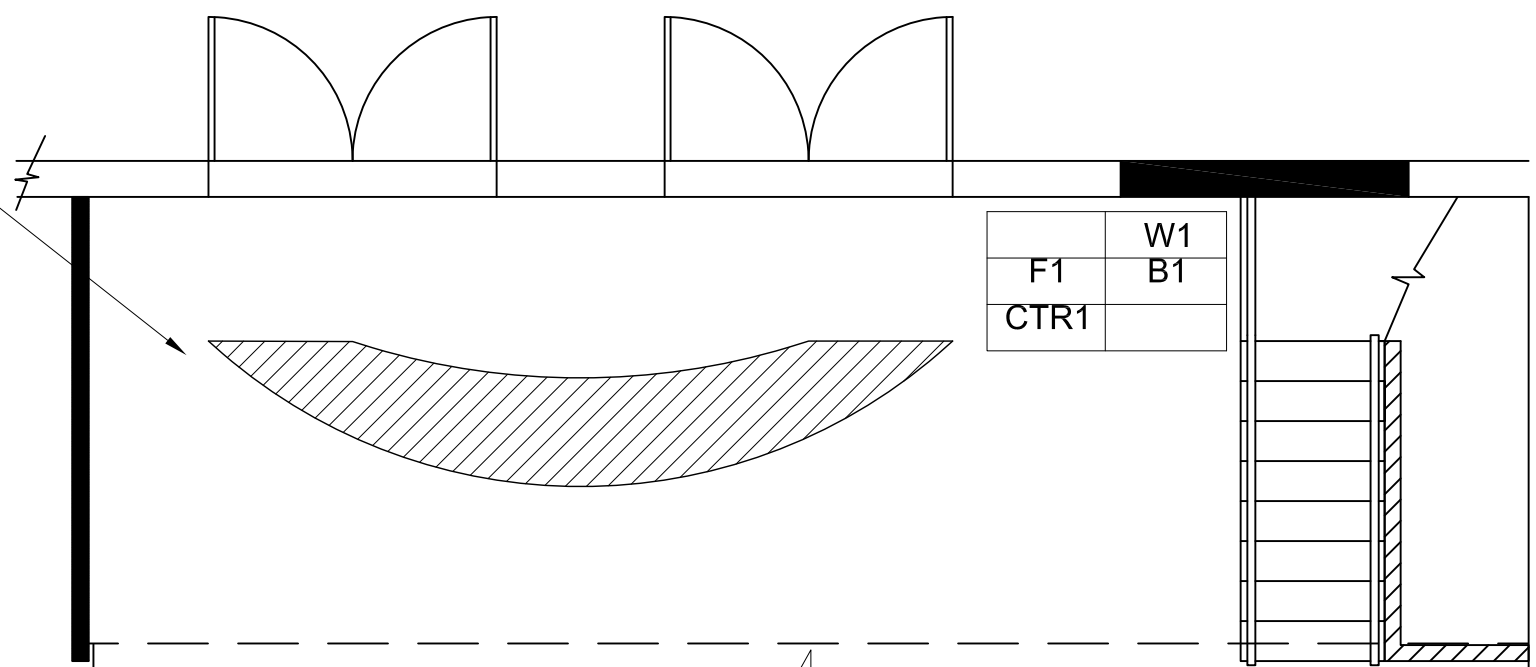
No.	Revision/Issue	Date

ALLISON
BROUILLETTE

Project Name and Address

Project	Sheet
4/29/14	A3.2
AS NOTED	

RECEPTION DESK



LOWER SEATING AREA

C1	W1
F1	B1

C1	W1
F1	B1
CTR1	CAB1

1
A6.1

SEE FOR FLOOR DTL

REFRESHMENT AREA

General Notes

PROJECT
ALLISON BROUILLETTE

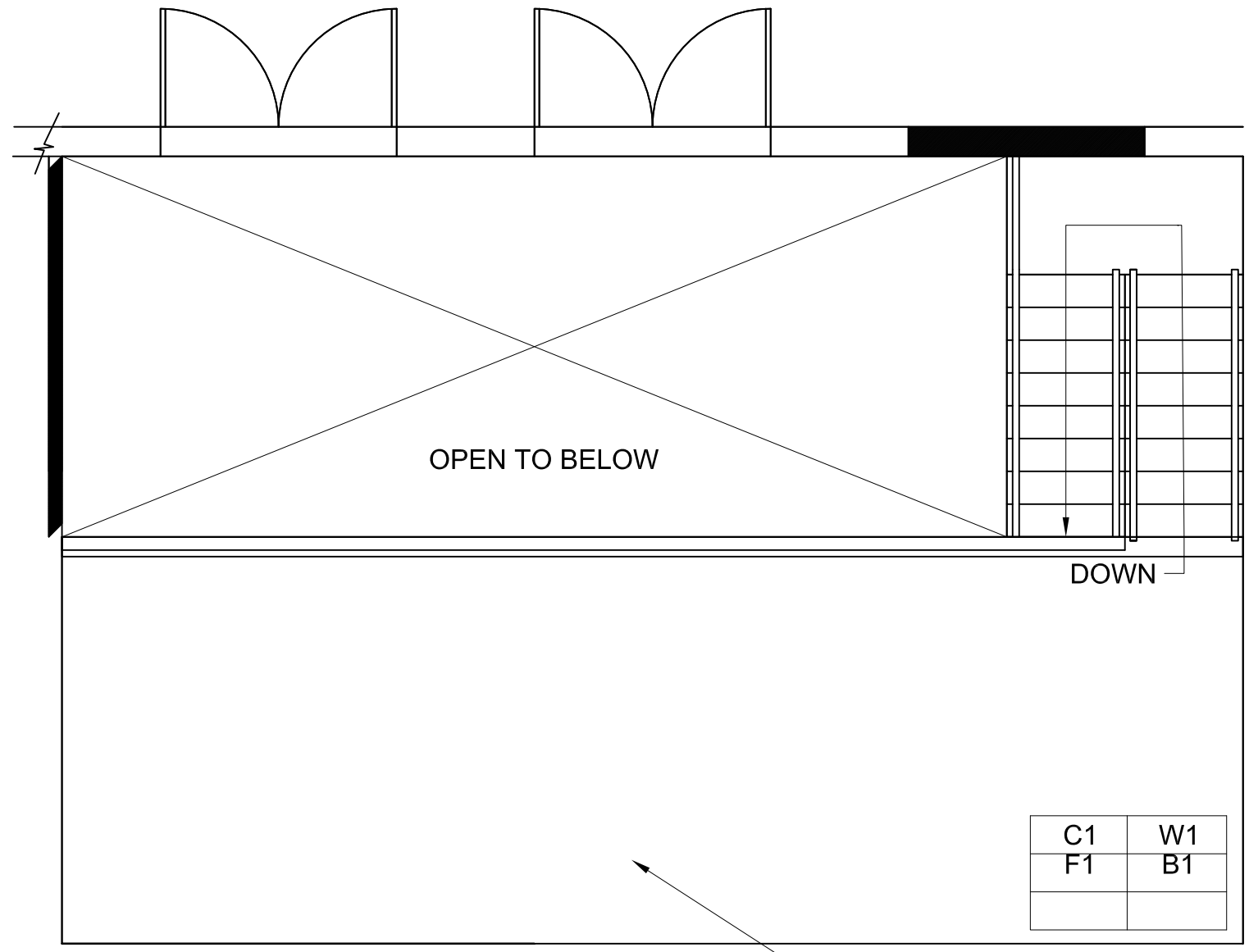
No.	Revision/Issue	Date

ALLISON
BROUILLETTE

Project Name and Address

Project	Sheet
4/29/14	A4.1
AS NOTED	

FOR LOCATION OF
NEW PARTITION SEE



FOR START POINT
OF STAIR SEE

MEZZANINE SEATING AREA

General Notes

PROJECT ALLISON BROUILLETTE

No.	Revision/Issue	Date

ALLISON
BROUILLETTE

Project Name and Address

Project	Sheet
4/29/14	A4.2
AS NOTED	

**PROJECT
ALLISON BROUILLETTE**

FINISH SCHEDULE					
CODE	ITEM	MFR	SPEC #	COLOR/FINISH	NOTES
C1	ACT	TBD	TBD	TBD	
W1	PAINT	TBD	TBD	TBD	
F1	VINYL TILE	IVC	474264	BLACK/WHITE; HIGH GLOSS	
B1	VINYL TILE		TBD	TBD	
CTR1	TILE	TBD	TBD	TBD	
CAB1	WOOD	TBD	TBD	TBD	

No.	Revision/Issue	Date

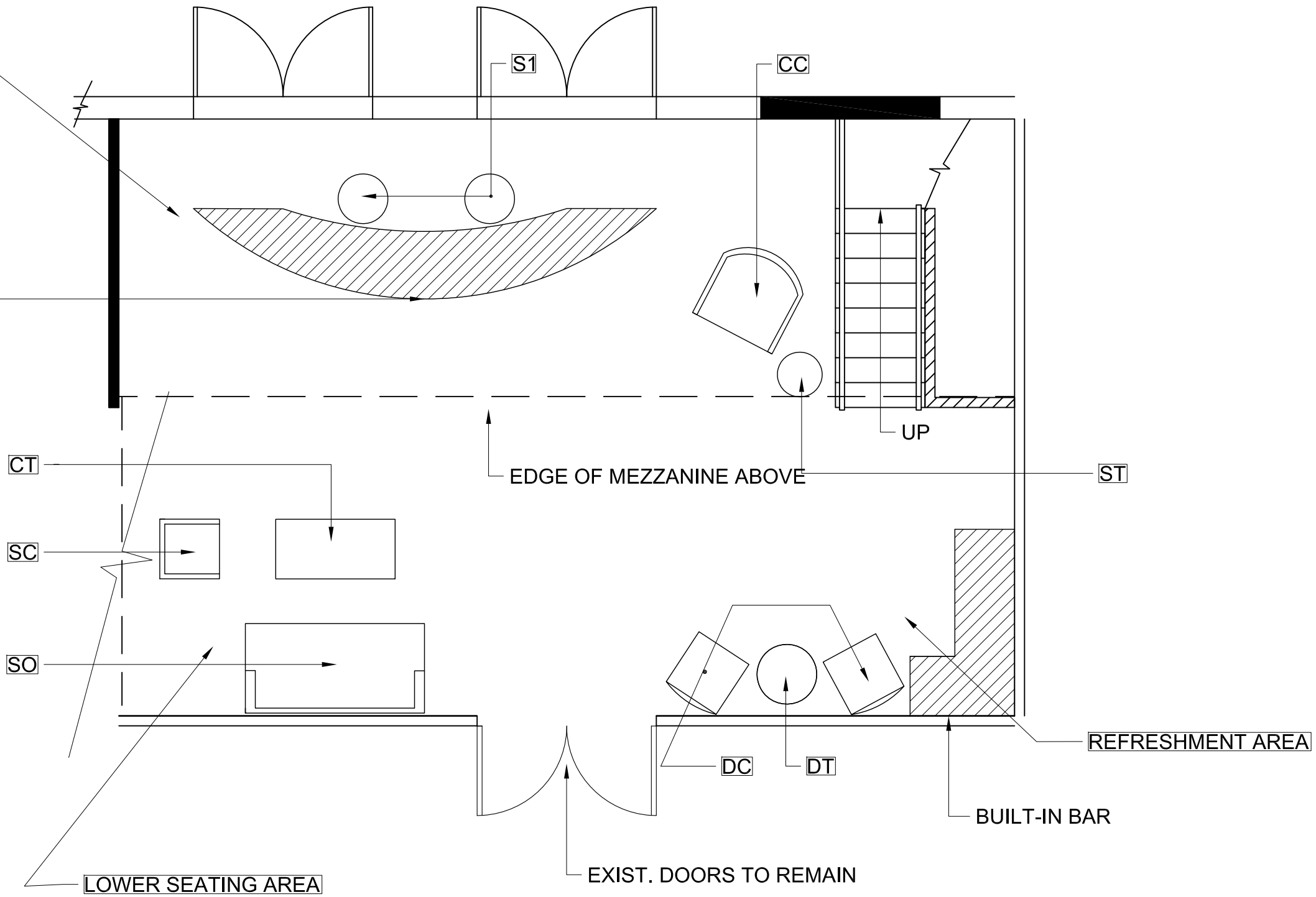
ALLISON
BROUILLETTE

Project Name and Address

Project	Sheet
4/29/14	A4.3
AS NOTED	

RECEPTION DESK

RECEPTION DESK



General Notes

**PROJECT
ALLISON BROUILLETTE**

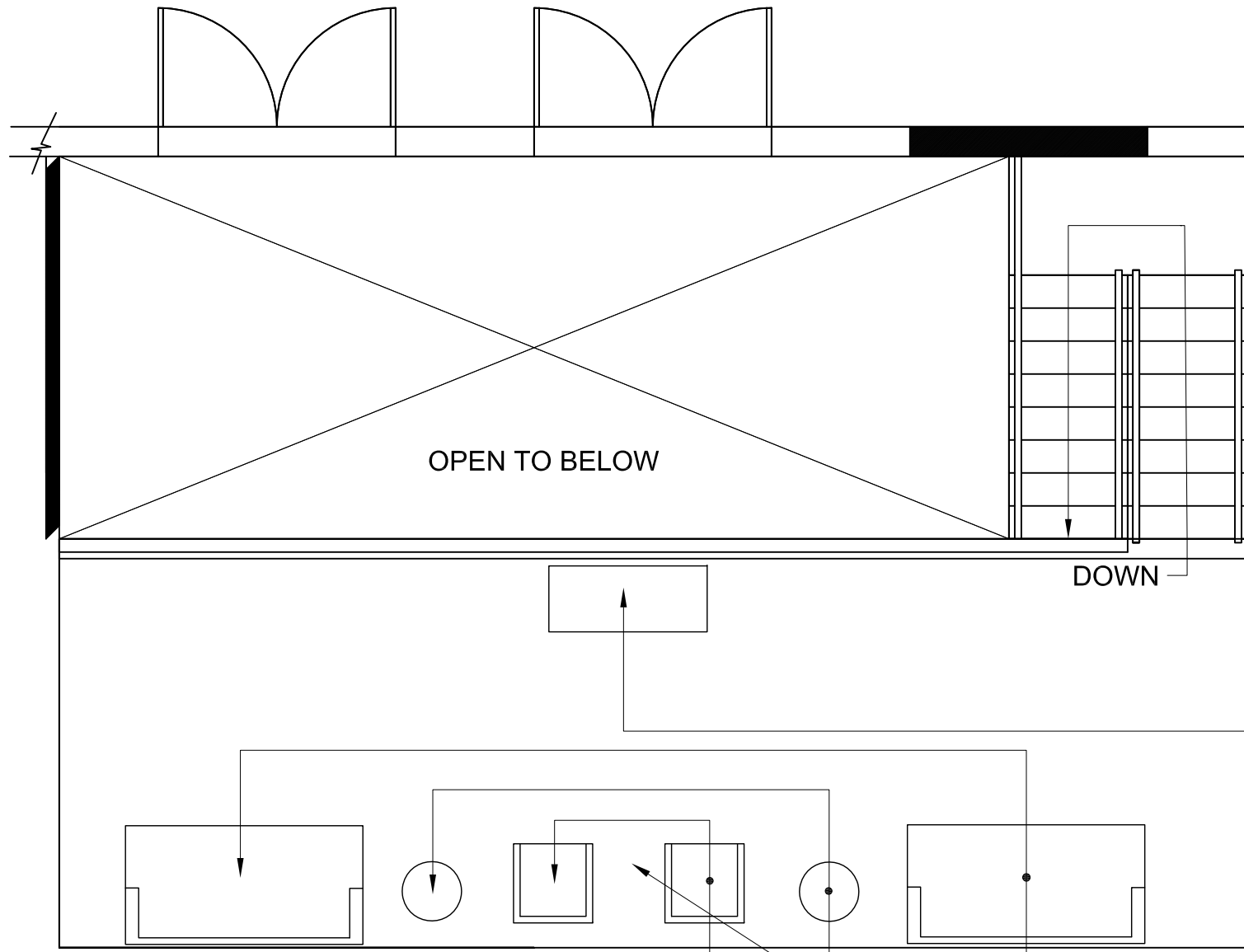
No.	Revision/Issue	Date

**ALLISON
BROUILLETTE**

Project Name and Address

Project	Sheet
4/29/14	F1.1
AS NOTED	

FOR LOCATION OF
NEW PARTITION SEE



OPEN TO BELOW

DOWN

FOR START POINT
OF STAIR SEE

T1

SC

ST

SO

MEZZANINE SEATING AREA

General Notes

PROJECT ALLISON BROUILLETTE

No.	Revision/Issue	Date

ALLISON
BROUILLETTE

Project Name and Address

Project	Sheet
4/29/14 AS NOTED	F1.2

FURNITURE SCHEDULE				
FURNITURE CODE	FURNITURE ITEM	MFR	MODEL #	DIMENSIONS
SO	SOFA	TBA	TBA	72" W 36" D
CO	COFFEE TABLE	TBA	TBA	48" W 24" D
SC	SIDE CHAIR	TBA	TBA	24" W 24" D
ST	SIDE TABLE	TBA	TBA	18" DIAMETER
CC	CLUB CHAIR	TBA	TBA	36" W 36" D
DT	DINGING TABLE	TBA	TBA	24" DIAMETER
DC	DINING CHAIRS	TBA	TBA	24" W 24" D
S1	STOOL	TBA	TBA	20" DIAMETER
T1	TABLE	TBA	TBA	TBA

General Notes

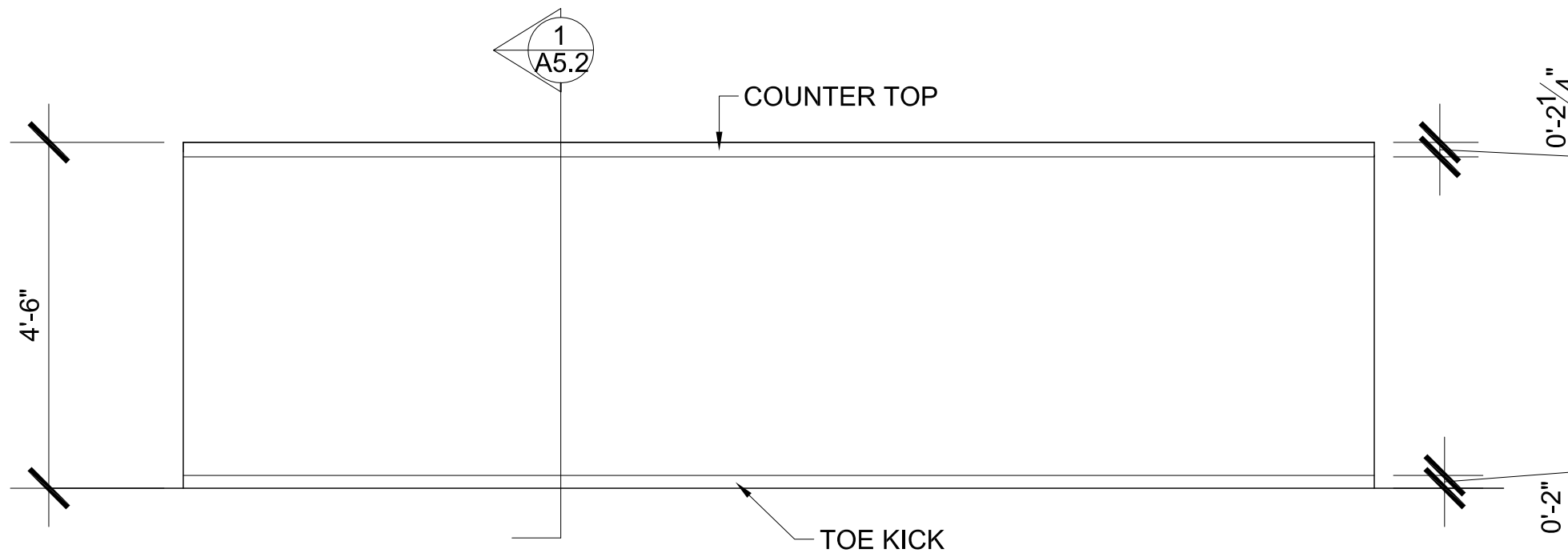
PROJECT ALLISON BROUILLETTE

No.	Revision/Issue	Date

ALLISON BROUILLETTE

Project Name and Address

Project	Sheet
4/29/14	F1.3
AS NOTED	



1

MILLWORK ELEVATION

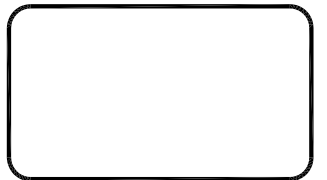
1/2" = 1'-0"

General Notes

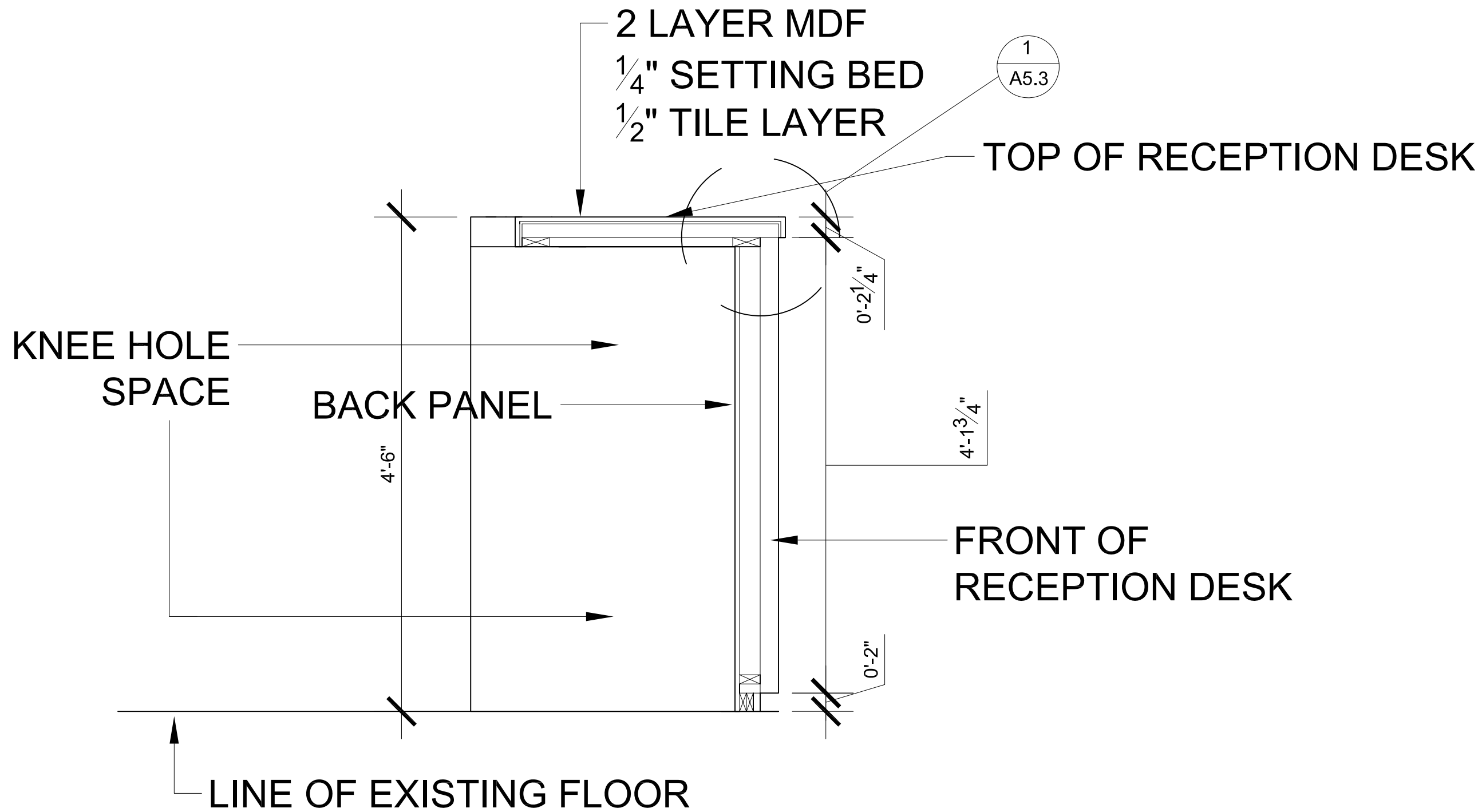
**PROJECT
ALLISON BROUILLETTE**

No.	Revision/Issue	Date

ALLISON
BROUILLETTE



Project	Sheet
4/29/14	A5.1
AS NOTED	



1 MILLWORK SECTION
 1" = 1'-0"

General Notes

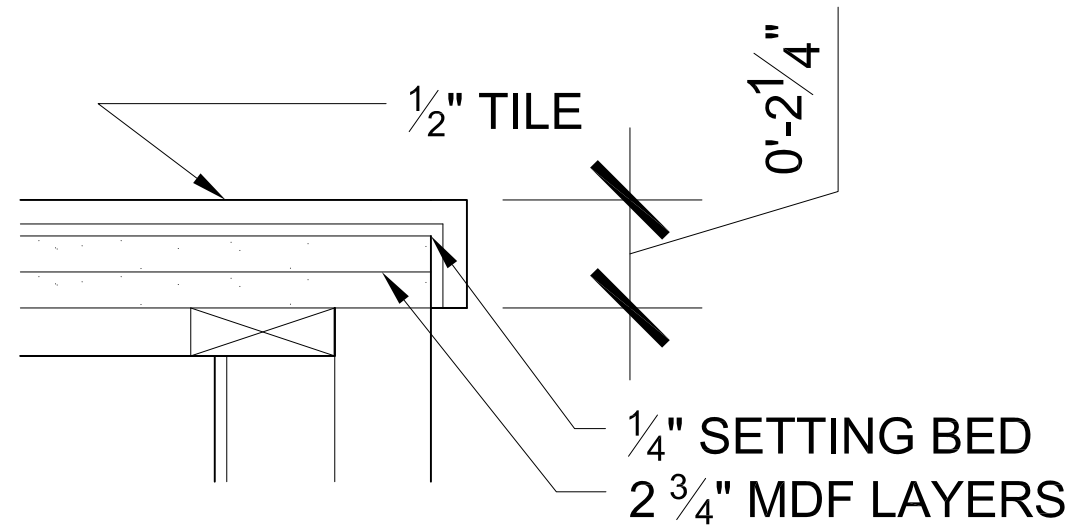
PROJECT ALLISON BROUILLETTE

No.	Revision/Issue	Date

ALLISON BROUILLETTE

Project Name and Address

Project	Sheet
4/29/14	A5.2
AS NOTED	



1

MILLWORK DETAIL

3" = 1'-0"

General Notes

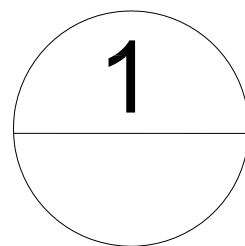
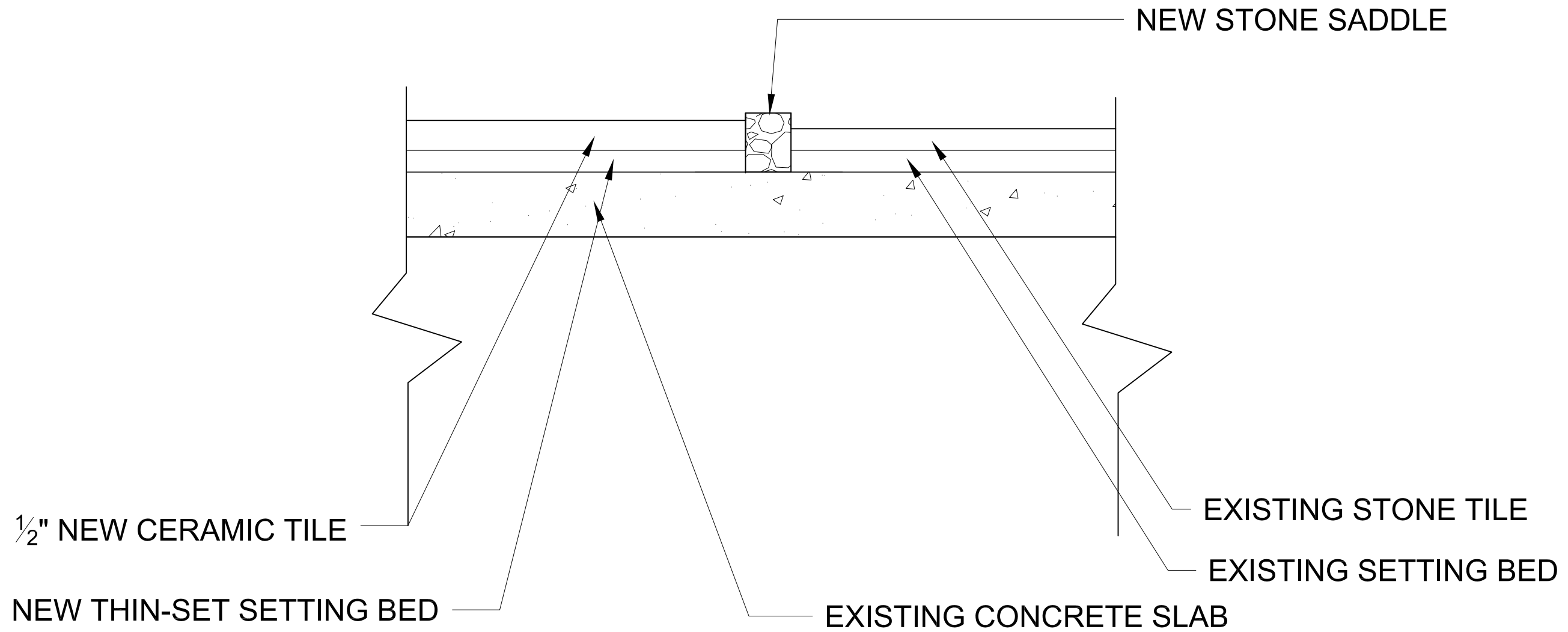
PROJECT
ALLISON BROUILLETTE

No.	Revision/Issue	Date

ALLISON
BROUILLETTE

Project Name and Address

Project	Sheet
4/29/14	A5.3
AS NOTED	



FLOOR DETAIL

NTS

General Notes

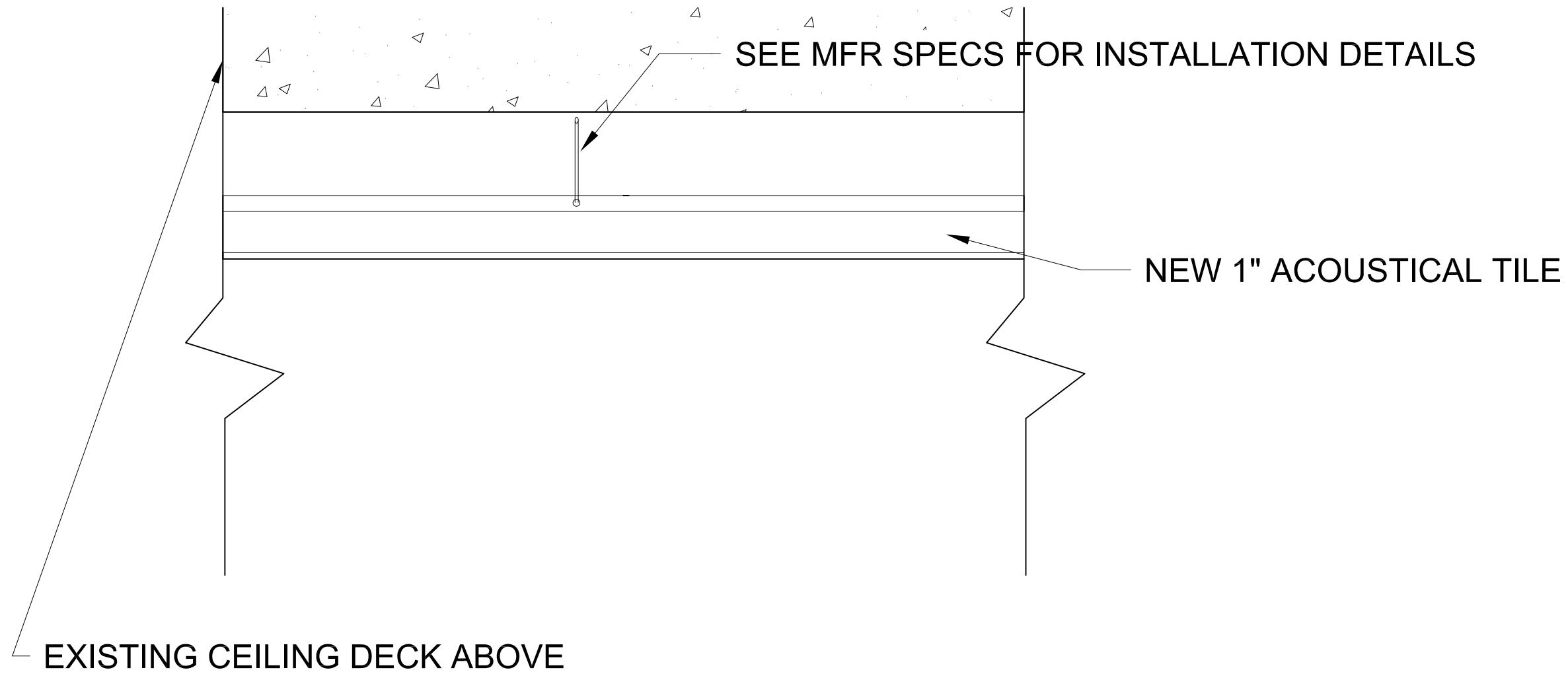
PROJECT
ALLISON BROUILLETTE

No.	Revision/Issue	Date

ALLISON
BROUILLETTE

Project Name and Address

Project	Sheet
4/29/14	A6.1
AS NOTED	



2

CEILING DETAIL
NTS

General Notes

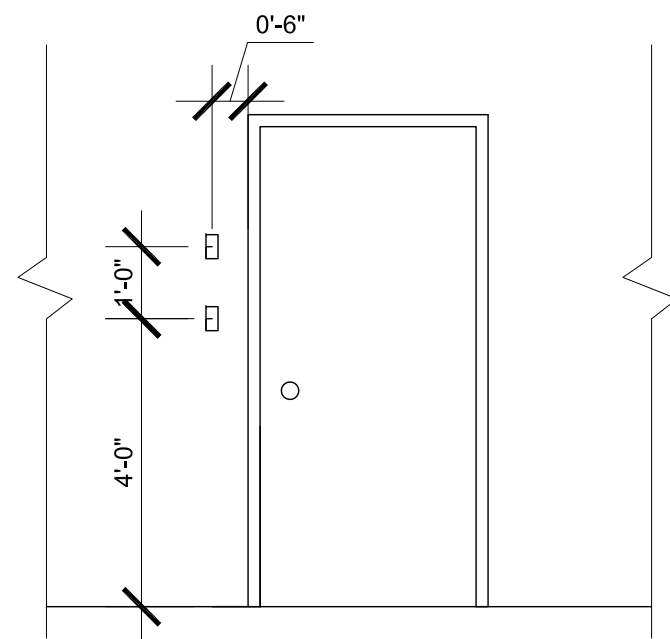
**PROJECT
ALLISON BROUILLETTE**

No.	Revision/Issue	Date

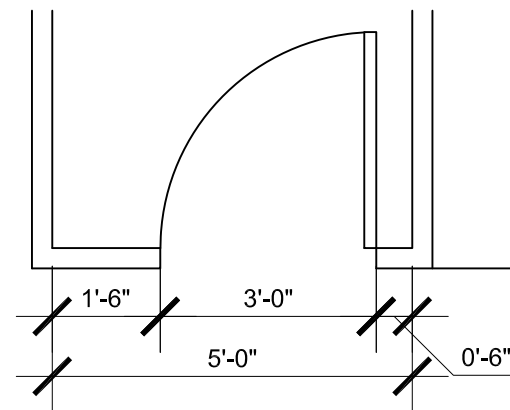
ALLISON
BROUILLETTE

Project Name and Address

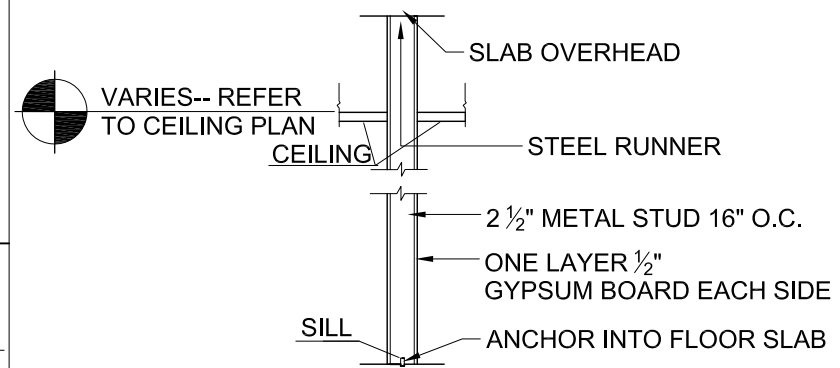
Project	Sheet
4/29/14	A6.2
AS NOTED	



1 THERMOSTAT/SWITCH
NTS



2 TYPICAL DOOR
NTS



1 PARTITION TYPE
NTS

General Notes

PROJECT
ALLISON BROUILLETTE

No.	Revision/Issue	Date

ALLISON
BROUILLETTE

Project Name and Address

Project	Sheet
4/29/14	A7.1
AS NOTED	