

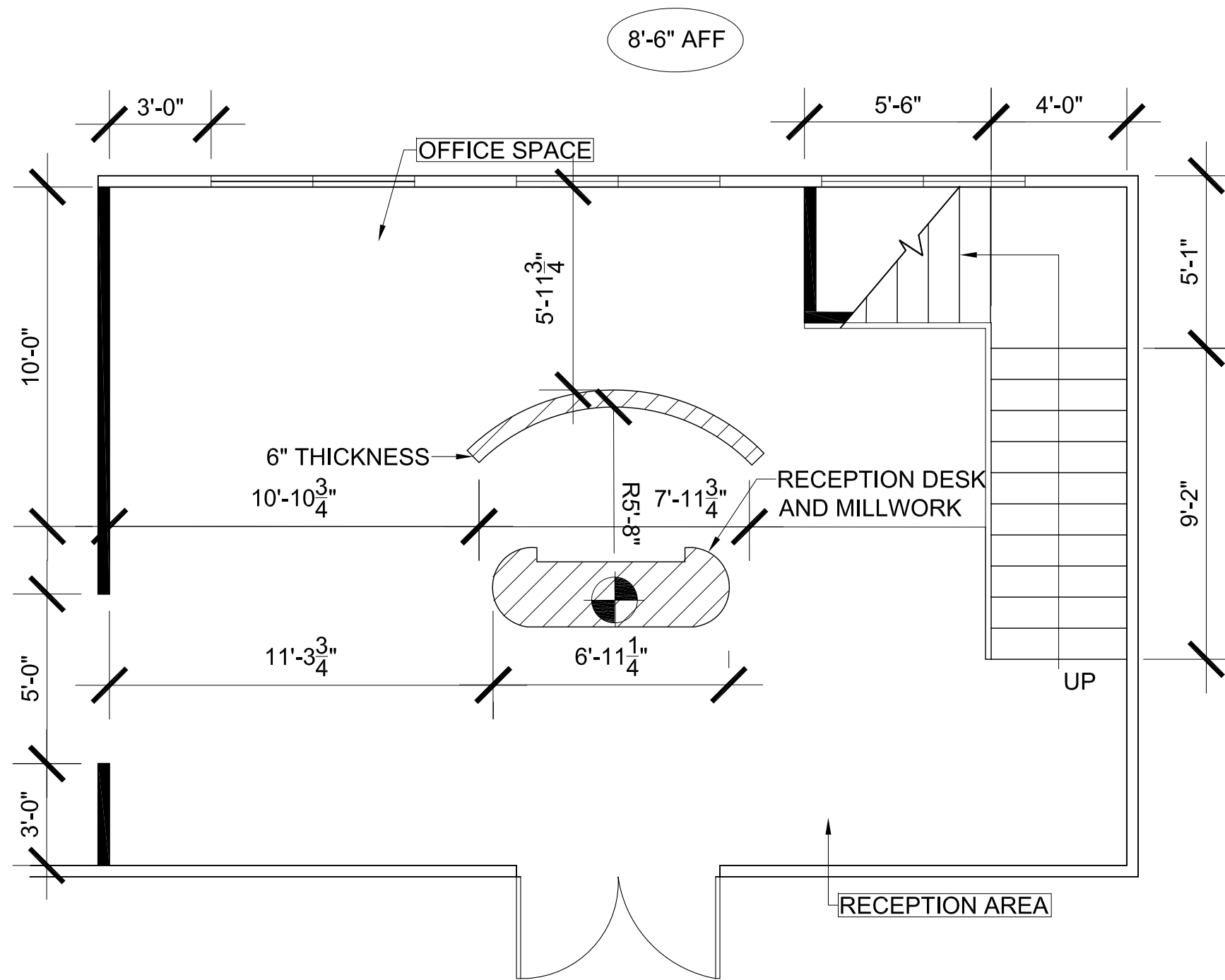
LIGHTING SCHEDULE				
SYM	FIXTURE	MANUF	SPEC	NOTES
○	0'-9"	TBD	TBD	CENTERED IN A.C.T.
○	1'-4"	TBD	TBD	SEE PLAN
□	0'-6"	TBD	TBD	CENTERED IN A.C.T.
▭	0'-6" X 1'-0"	TBD	TBD	ALIGNED
□	1'-0"	TBD	TBD	CENTERED IN A.C.T.
□	1'-8"	TBD	TBD	CENTERED IN A.C.T.
▭	1'-0" X 4'-0"	TBD	TBD	ALIGNED
○	3'-0"	TBD	TBD	SEE PLAN

1 LIGHTING SCHEDULE
NO SCALE

ELECTRICAL SYMBOL SCHEDULE			
SYM	SPEC	NOTES	TYPES
⊕	TBA	1'-6" AFF	DUPLEX OUTLET
⊕	TBA	1'-6" AFF	QUAD OUTLET
⊙	TBA	FLOOR MOUNTED	DUPLEX OUTLET
⊙	TBA	FLOOR MOUNTED	TELEPHONE JACK
⊙	TBA	FLOOR MOUNTED	JUNCTION BOX
⊕	TBA	1'-6" AFF	TELEVISION CABLE
⊕	TBA	1'-6" AFF	JUNCTION BOX

2 ELECTRICAL SCHEDULE
NO SCALE

General Notes		
No.	Revision/Issue	Date
Firm Name and Address		
LISA DUERR		
Project Name and Address		
SCHEDULE		
Project	Sheet	
Date	A0.1	
Scale		



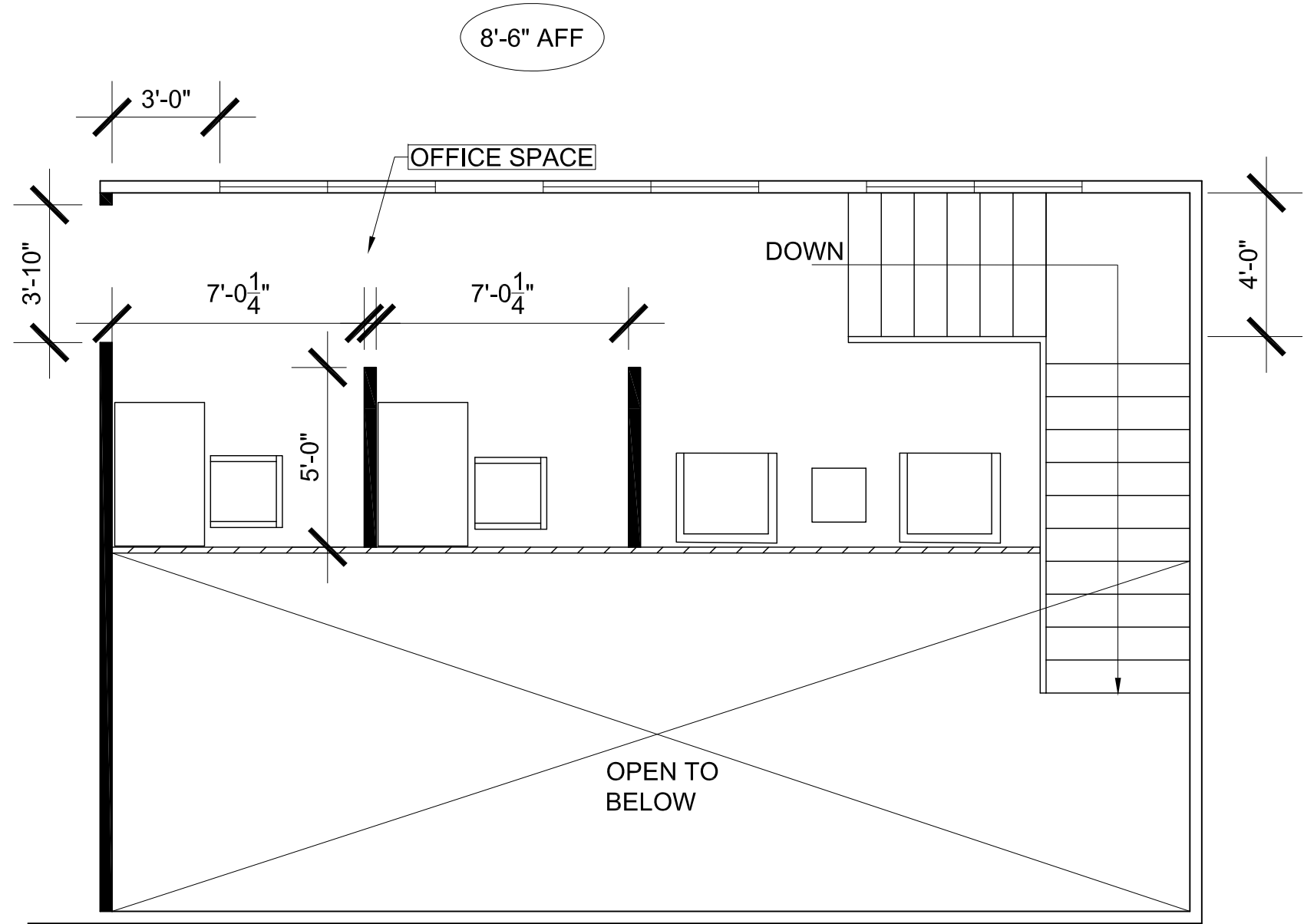
1 FLOOR PLAN
SCALE: 1/4"=1'

General Notes

LISA DUERR

RECEPTION AREA

Project	Sheet
Date	A1.1
Scale	



2 FLOOR PLAN
SCALE: 1/4"=1'

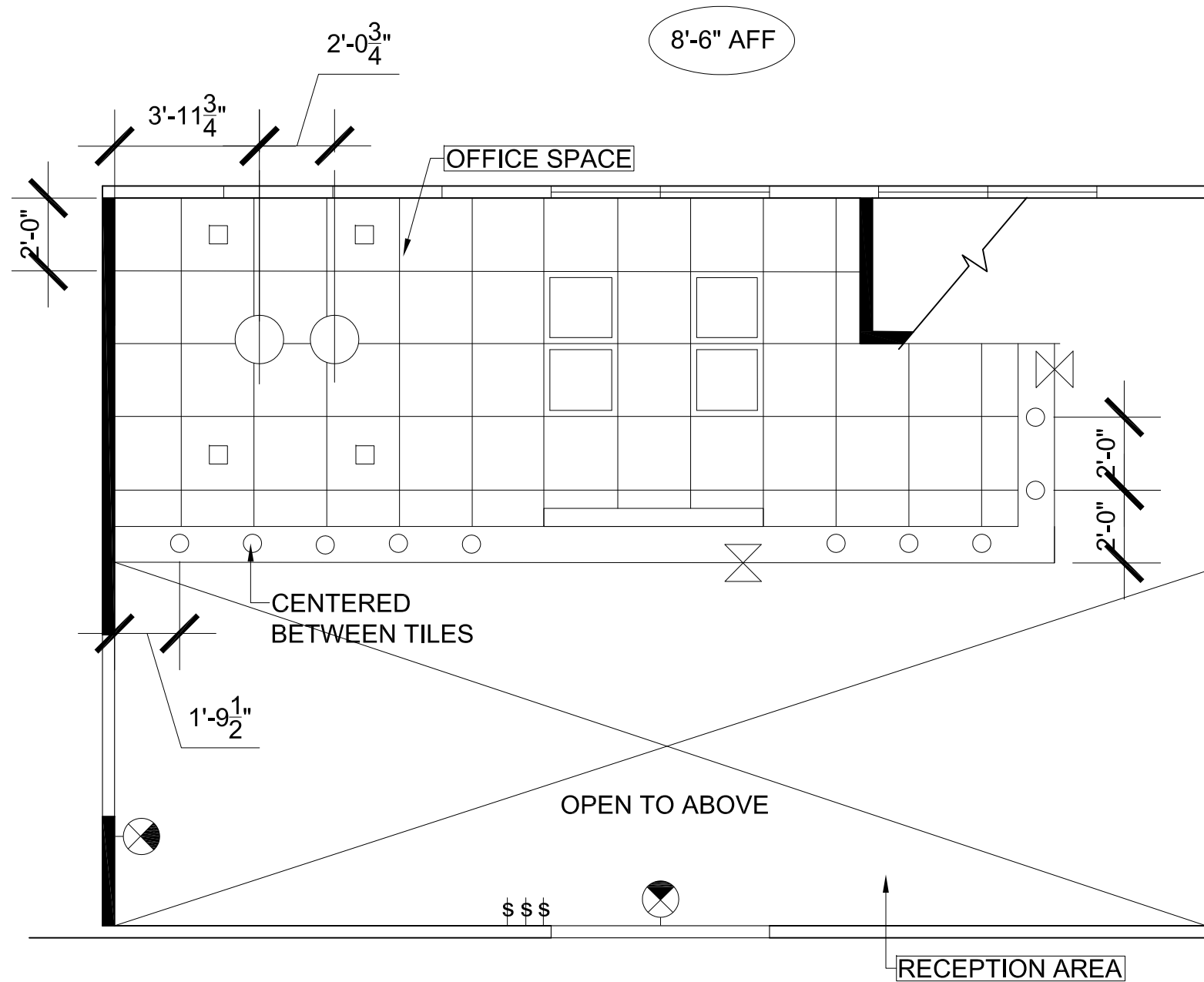
General Notes

No.	Revision/Issue	Date

Firm Name and Address
LISA DUERR

Project Name and Address
RECEPTION AREA

Project	Sheet
Date	A1.2
Scale	



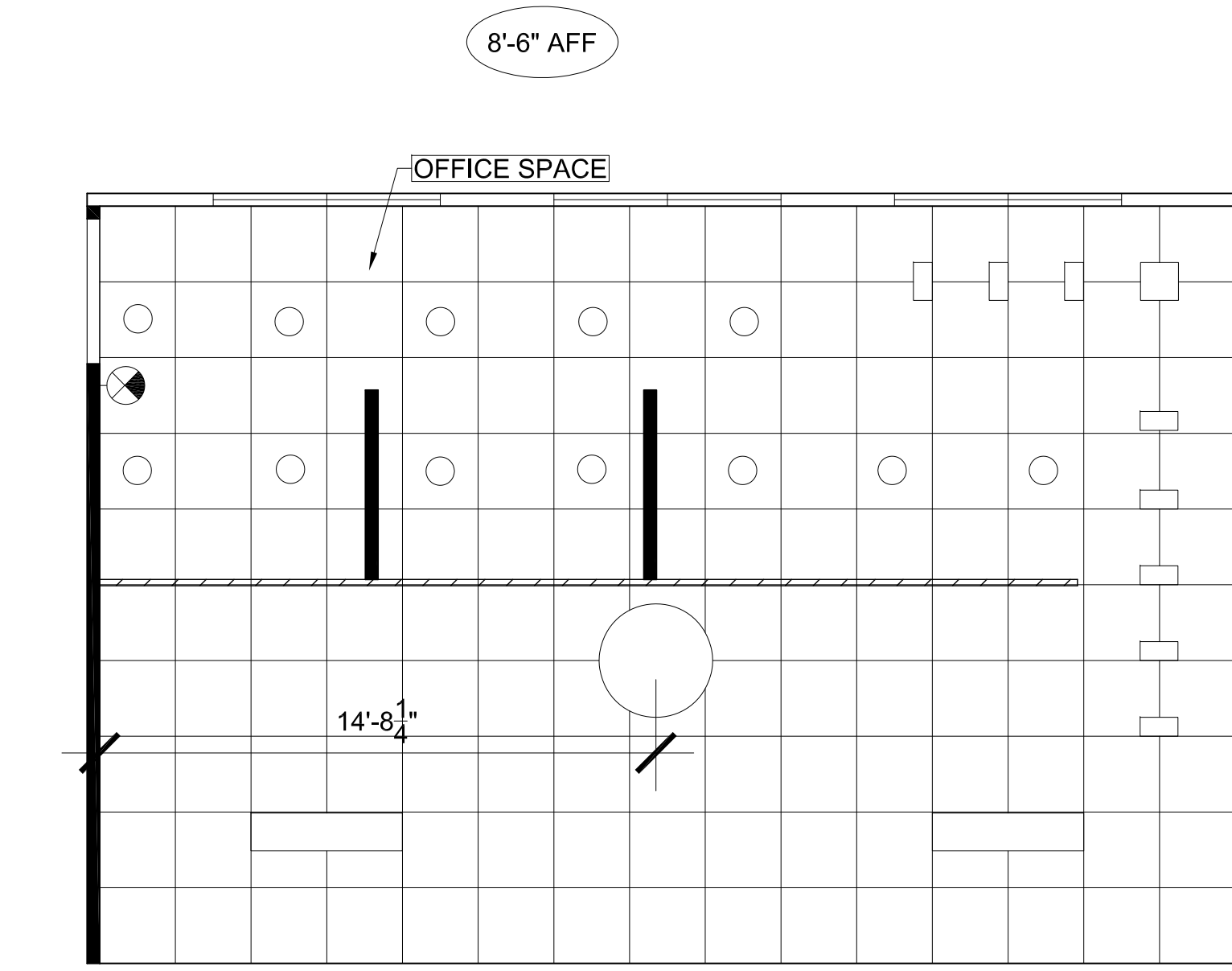
1 CEILING PLAN
SCALE: 1/4"=1'

General Notes

LISA DUERR

Project Name and Address
CEILING PLAN

Project	Sheet
Date	A2.1
Scale	



2 — CEILING PLAN
 SCALE: 1/4" = 1'

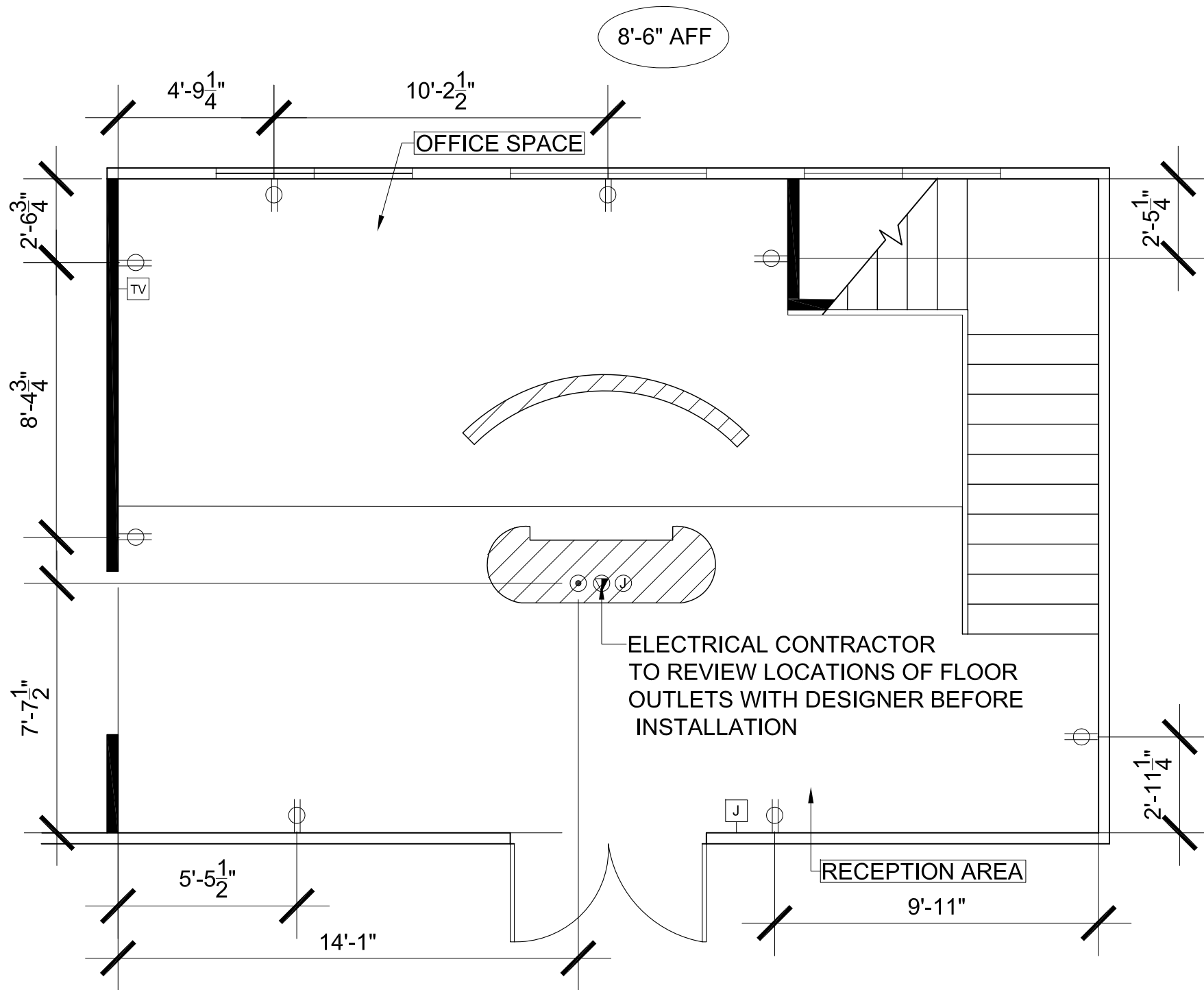
General Notes

No.	Revision/Issue	Date

Firm Name and Address
 LISA DUERR

Project Name and Address
 CEILING PLAN

Project	Sheet
Date	A2.2
Scale	



1 ELECTRICAL PLAN

SCALE: $\frac{1}{4}$ "=1'

General Notes

No.	Revision/Issue	Date

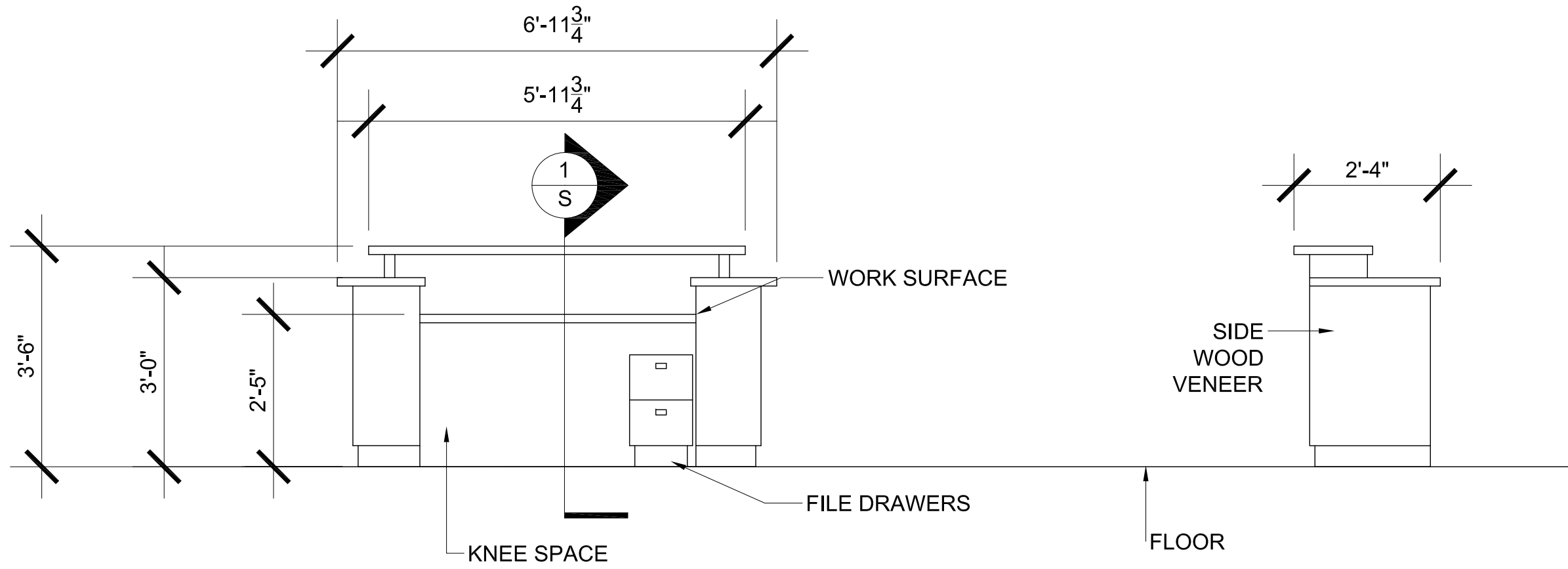
Firm Name and Address

LISA DUERR

Project Name and Address

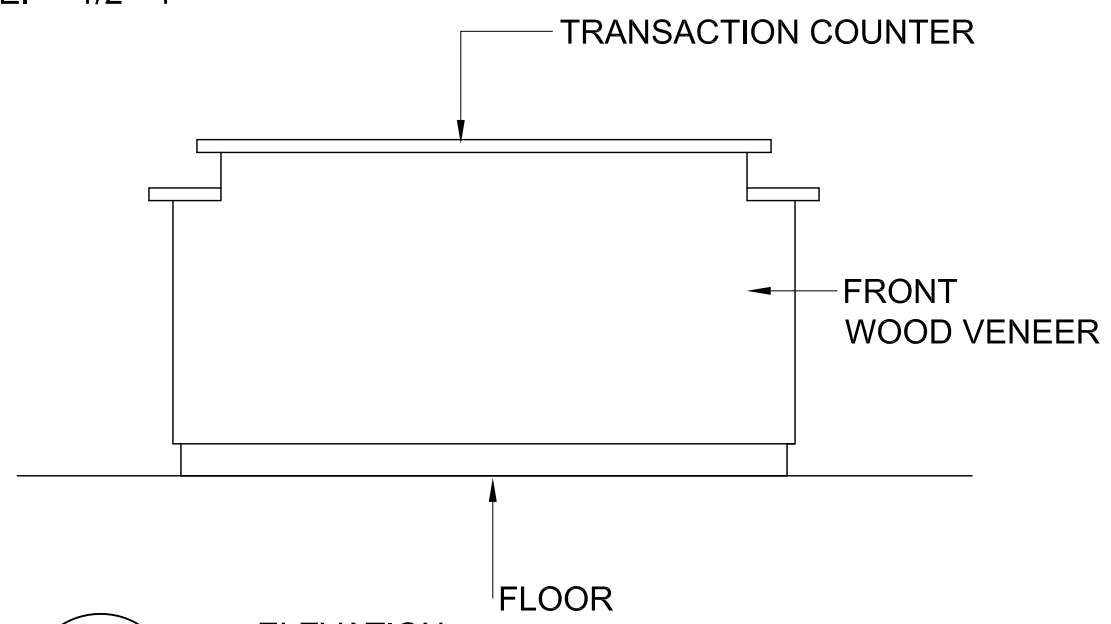
ELECTRICAL PLAN

Project	Sheet
Date	A3.1
Scale	



1
ELEVATION
SCALE: 1/2"=1'

2
ELEVATION
SCALE: 1/2"=1'



3
ELEVATION
SCALE: 1/2"=1'

General Notes

No.	Revision/Issue	Date

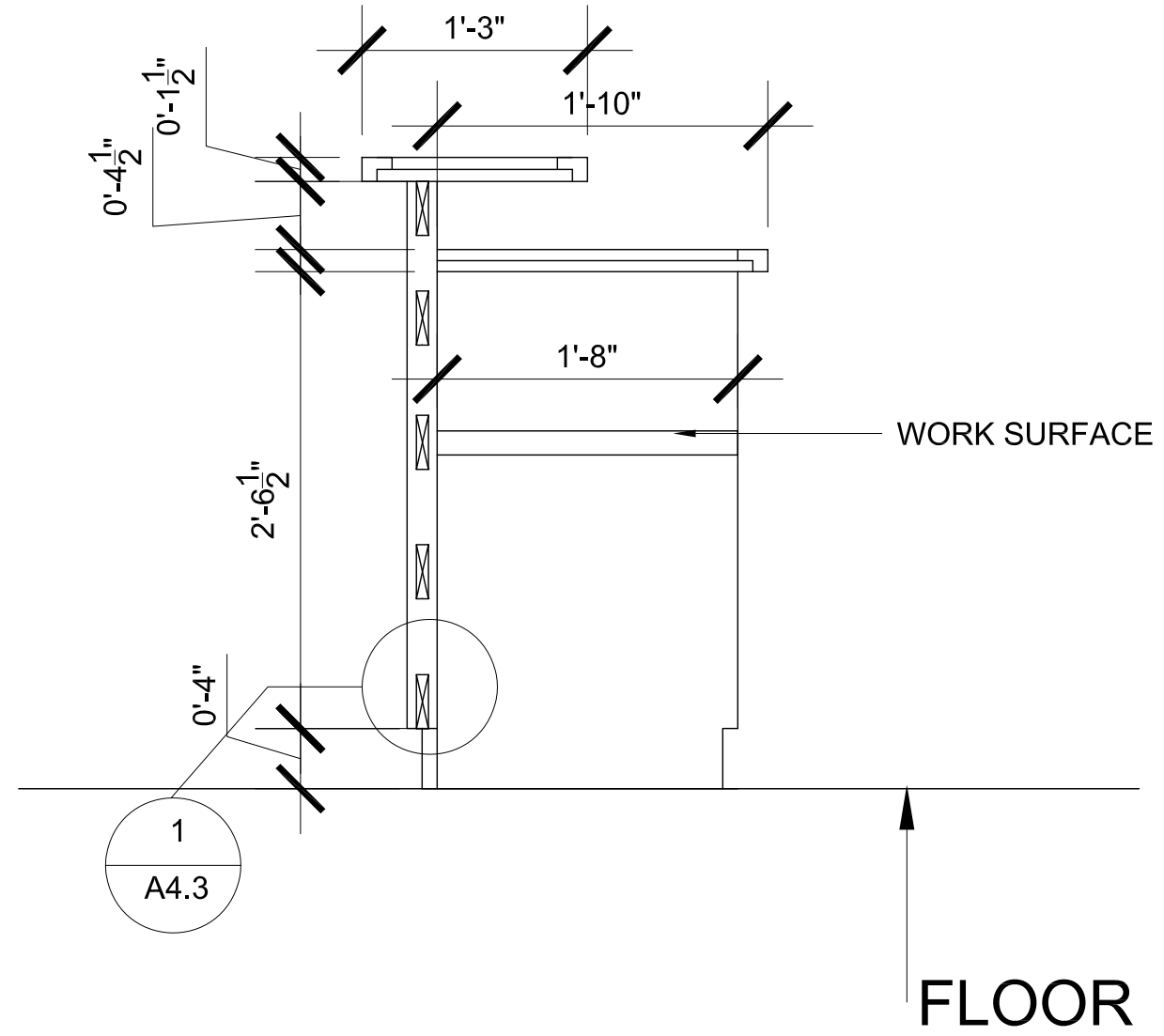
Firm Name and Address

LISA DUERR

Project Name and Address

ELEVATION

Project	Sheet
Date	A4.1
Scale	



SECTION
1
SCALE: 1"=1'

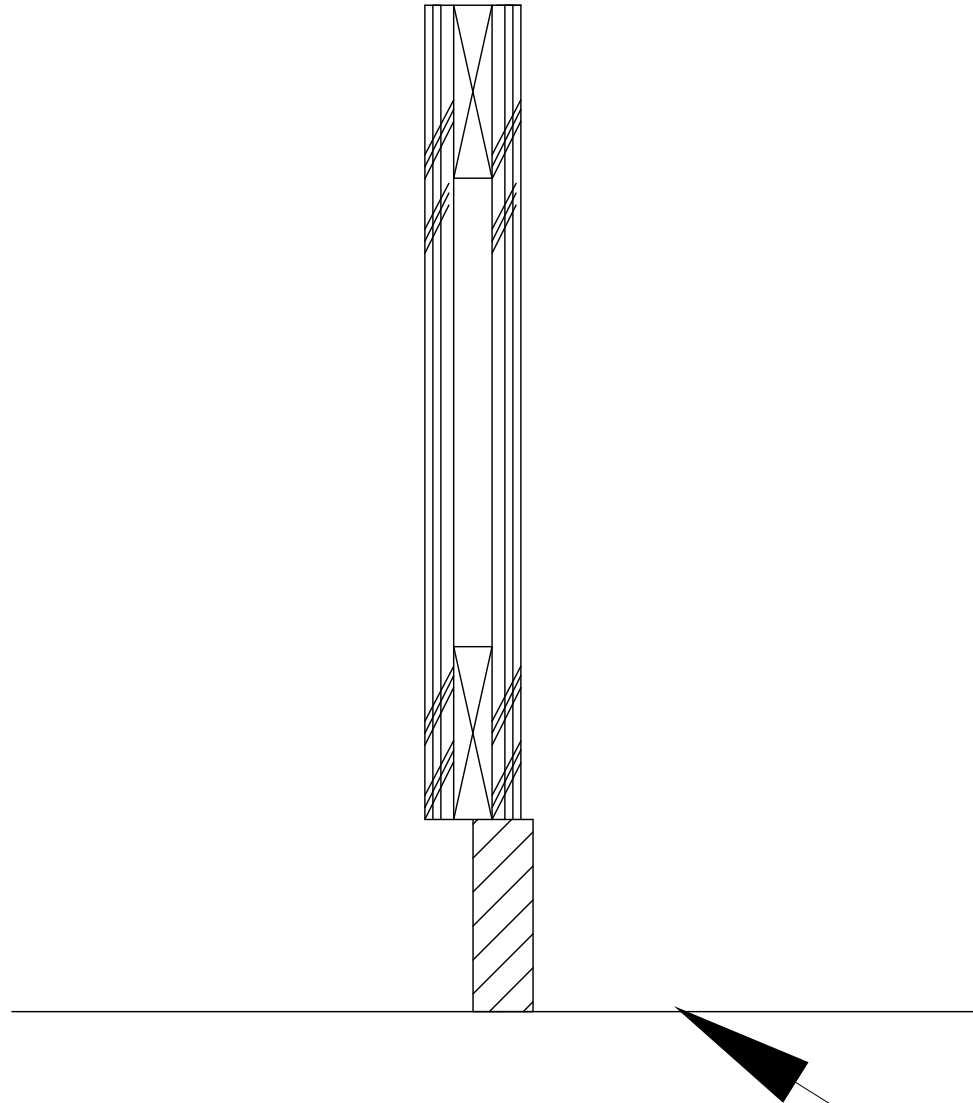
General Notes

No.	Revision/Issue	Date

Firm Name and Address
LISA DUERR

Project Name and Address
SECTION

Project	Sheet
Date	A4.2
Scale	



FLOOR

1 DETAIL
SCALE: 3"=1'

General Notes

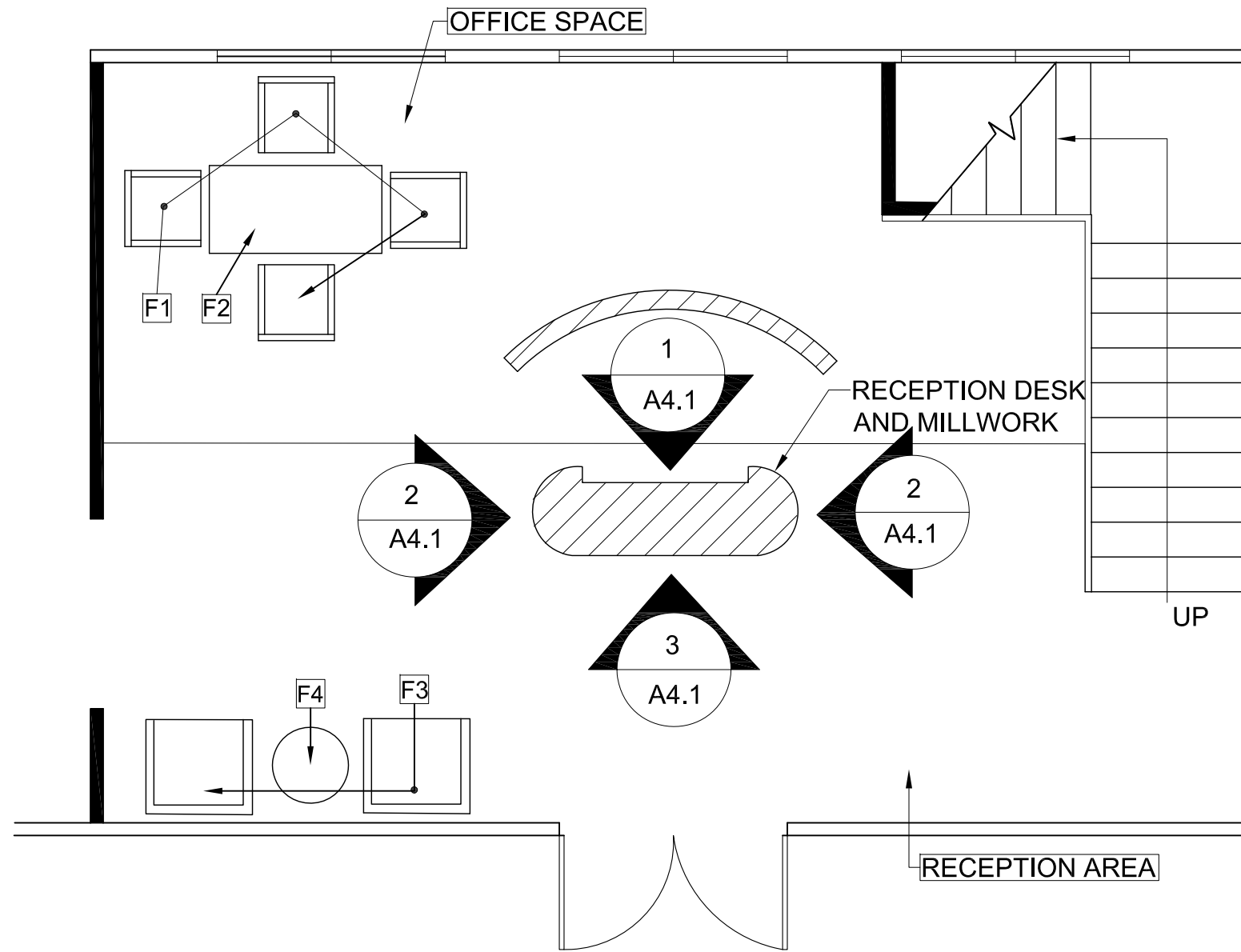
No.	Revision/Issue	Date

Firm Name and Address
LISA DUERR

Project Name and Address
DETAIL

Project	Sheet
Date	A4.3
Scale	

8'-6" AFF



1 FURNITURE PLAN
SCALE: 1/4"=1'

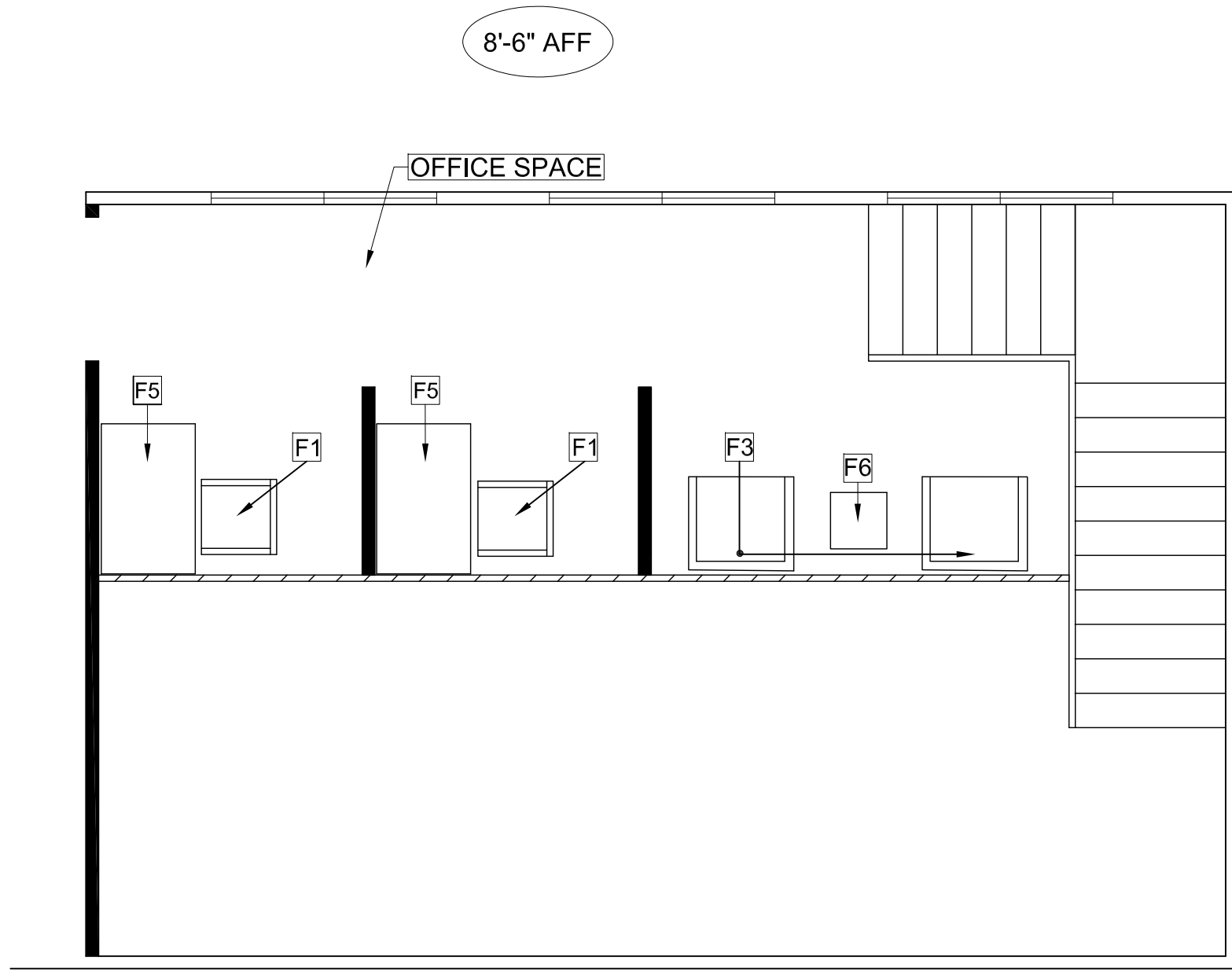
General Notes

No.	Revision/Issue	Date

Firm Name and Address
LISA DUERR

Project Name and Address
RECEPTION AREA

Project	Sheet
Date	F1.1
Scale	



2 FURNITURE PLAN
 SCALE: 1/4"=1'

General Notes

No.	Revision/Issue	Date

Firm Name and Address
 LISA DUERR

Project Name and Address
 RECEPTION AREA

Project	Sheet
Date	F1.2
Scale	