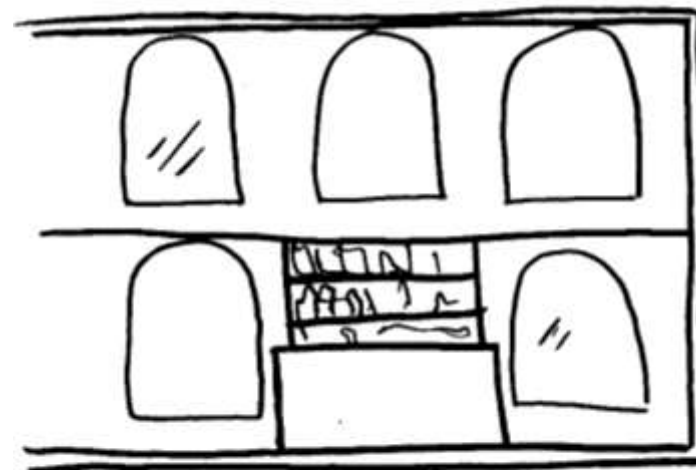
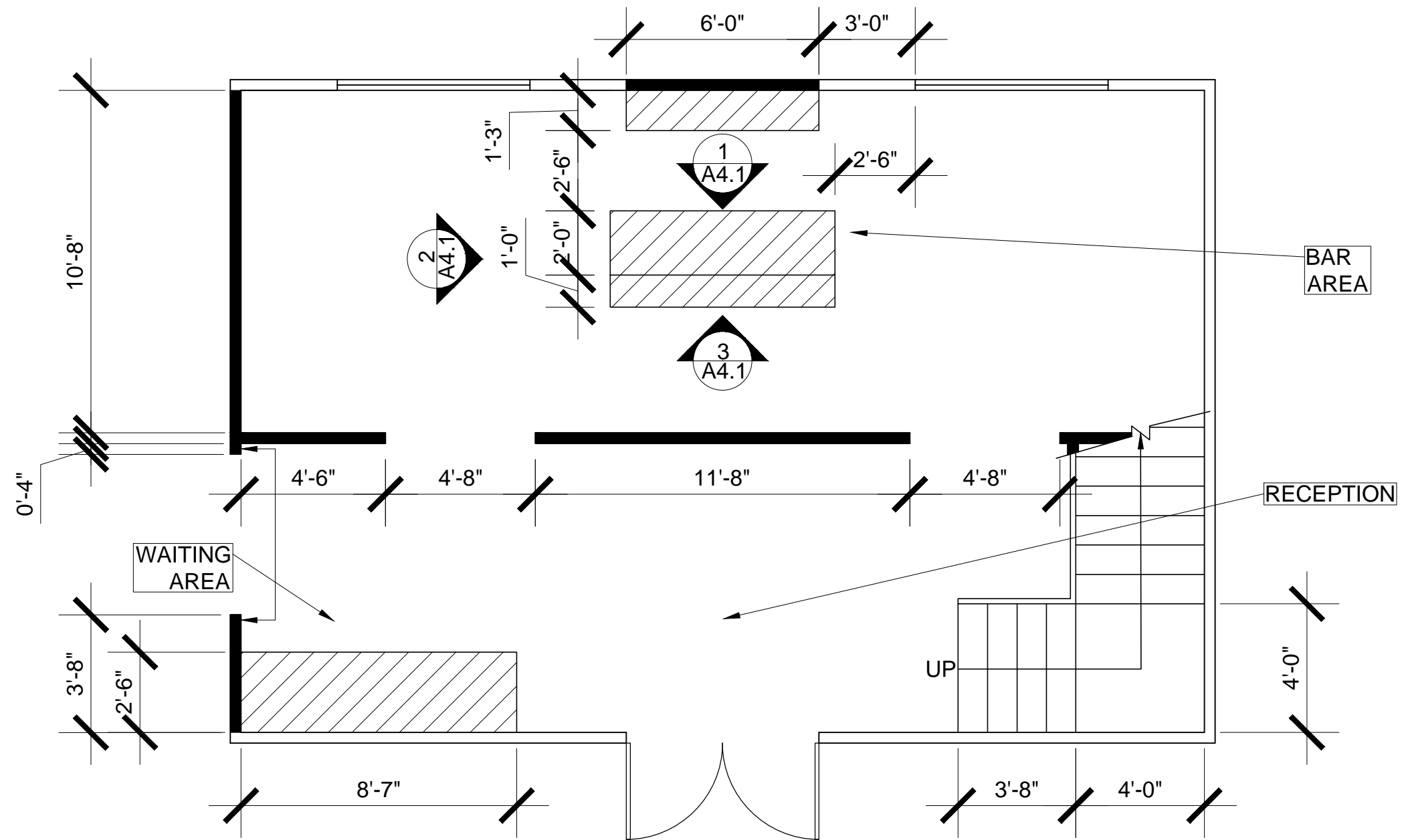


FRONT WALL ELEVATION



BACK WALL ELEVATION



1 FIRST FLOOR PARTITION PLAN
 SCALE: 1/4" = 1'-0"

General Notes

No.	Revision/Issue	Date

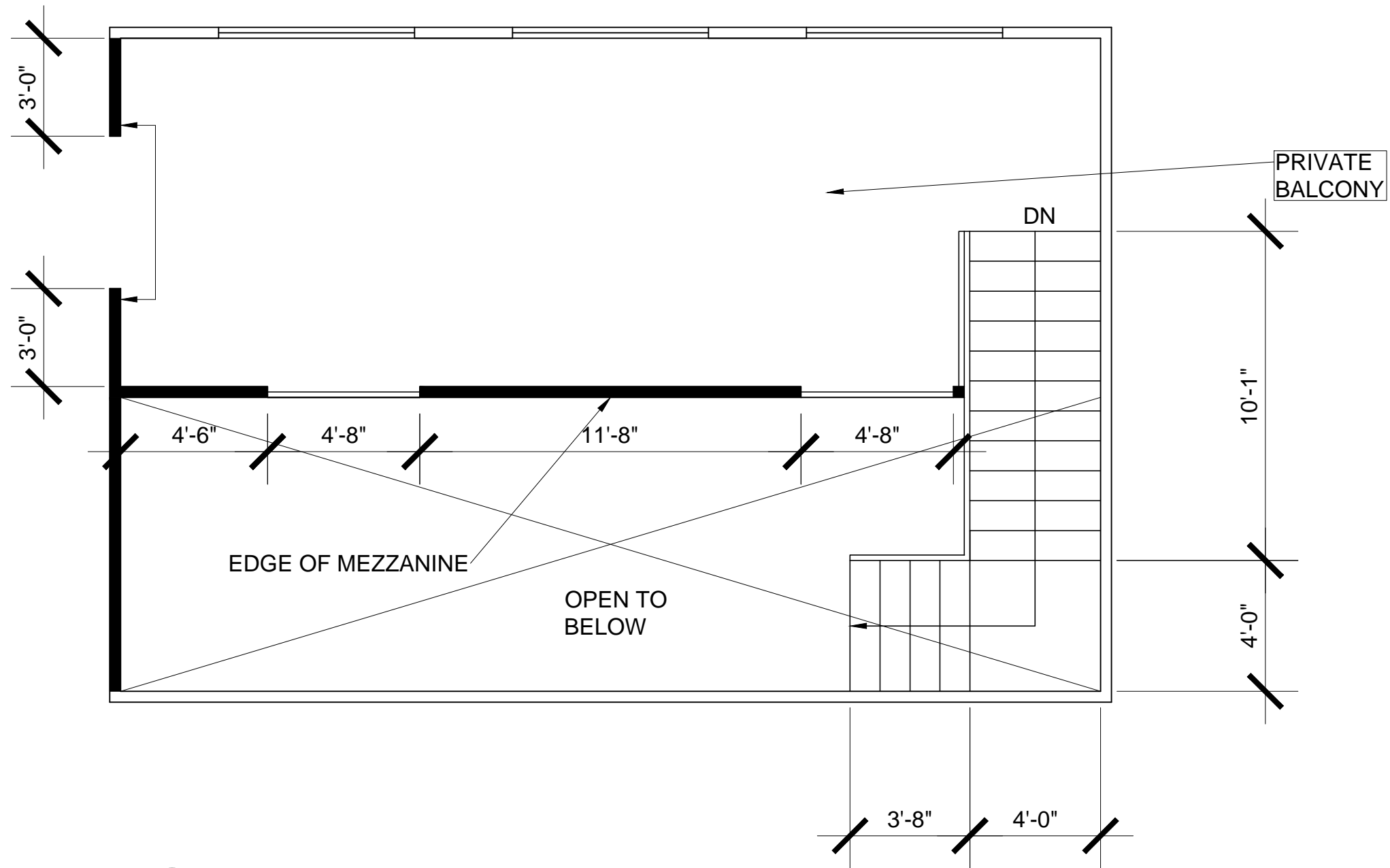
Firm Name and Address

KERRY-ANN JENKINS

Project Name and Address

RESTAURANT AND BAR

Project	Sheet
Date	A1.1
Scale	



1 SECOND FLOOR PARTITION PLAN
 SCALE: 1/4" = 1'-0"

General Notes

No.	Revision/Issue	Date

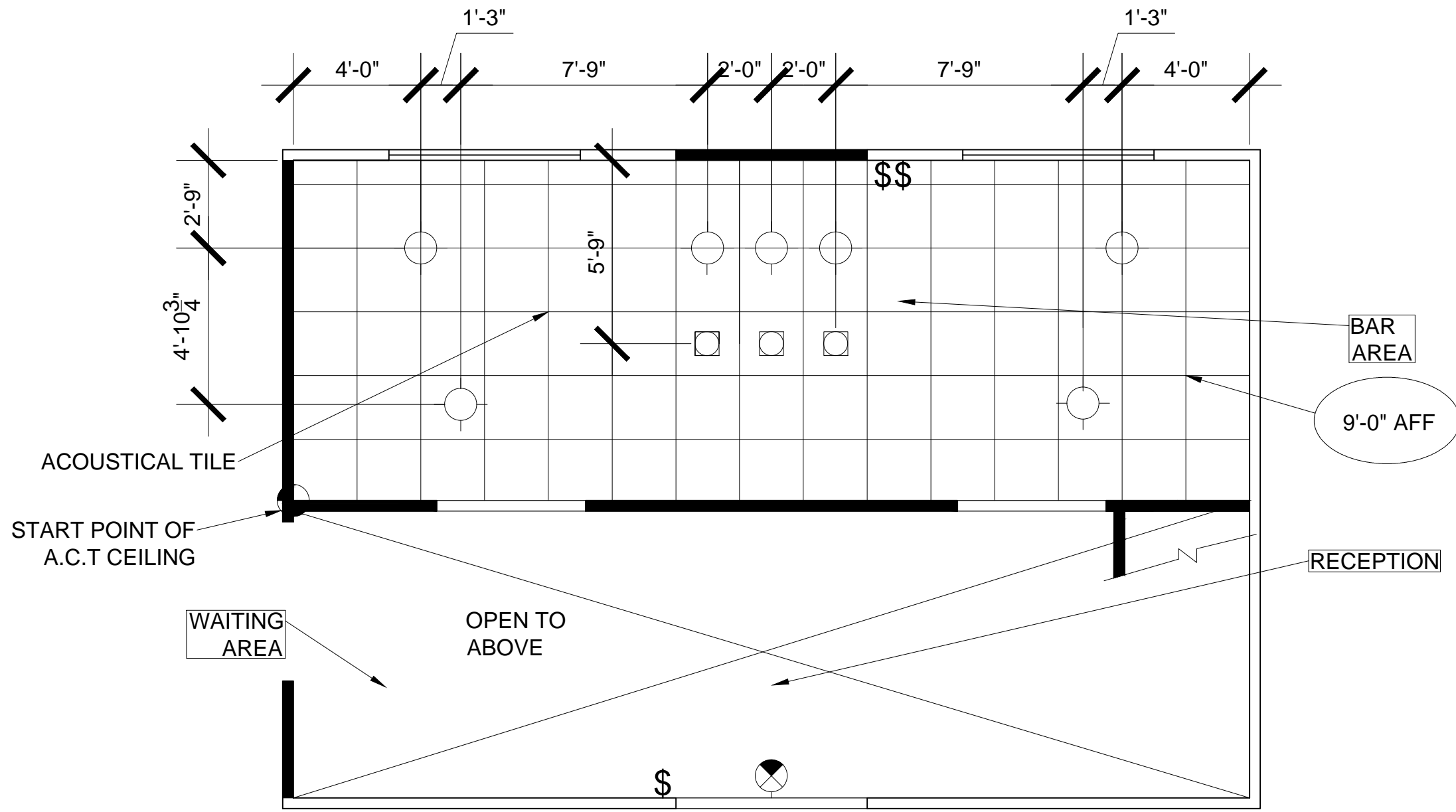
Firm Name and Address

KERRY-ANN
 JENKINS

Project Name and Address

RESTAURANT
 AND BAR

Project	Sheet
Date	A1.2
Scale	



1 FIRST FLOOR REFLECTED CEILING PLAN
 SCALE: 1/4" = 1'-0"

General Notes

No.	Revision/Issue	Date

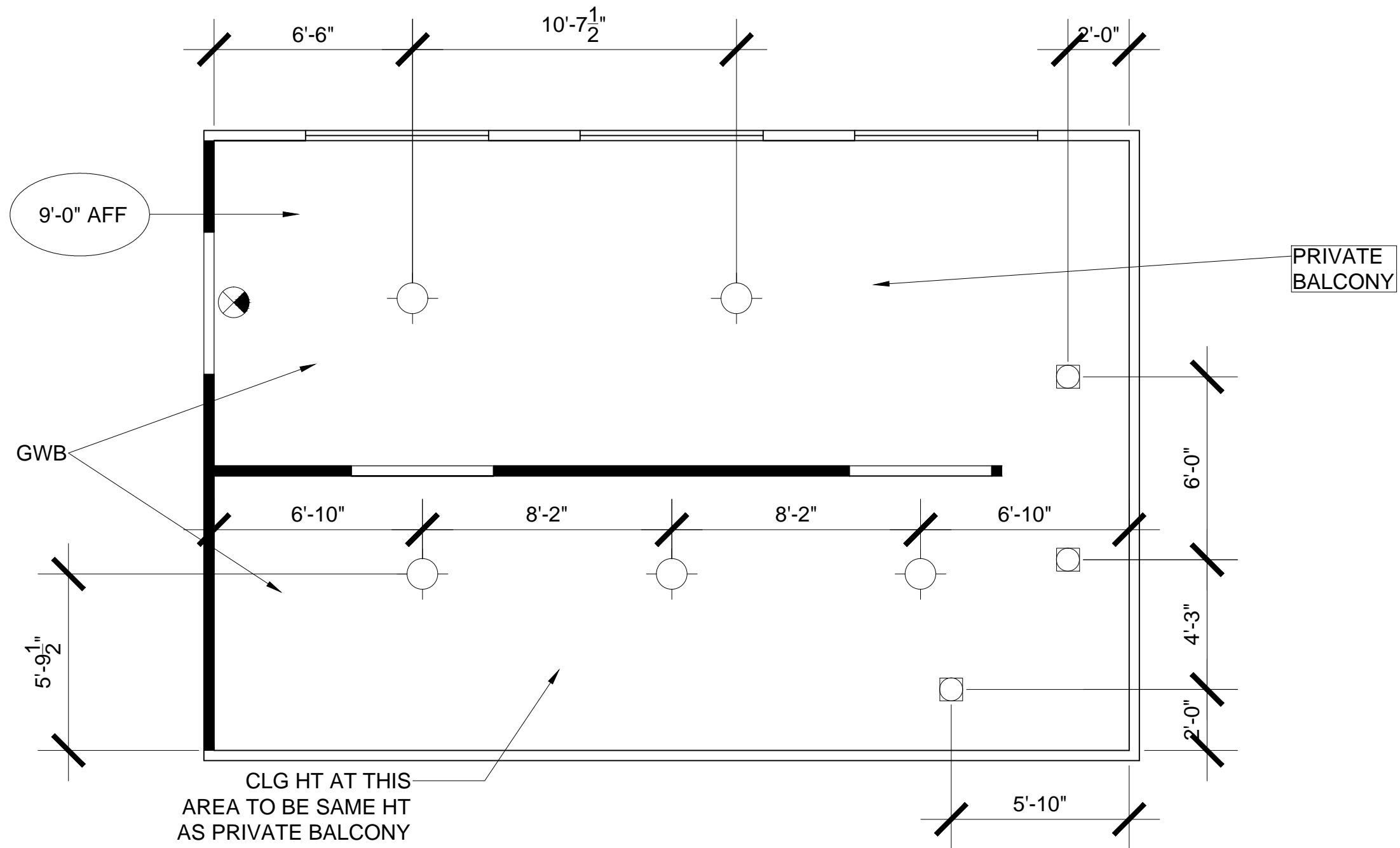
Firm Name and Address

KERRY-ANN JENKINS

Project Name and Address

RESTAURANT AND BAR

Project	Sheet
Date	A2.1
Scale	



1 SECOND FLOOR REFLECTED CEILING PLAN
 SCALE: 1/4" = 1'-0"

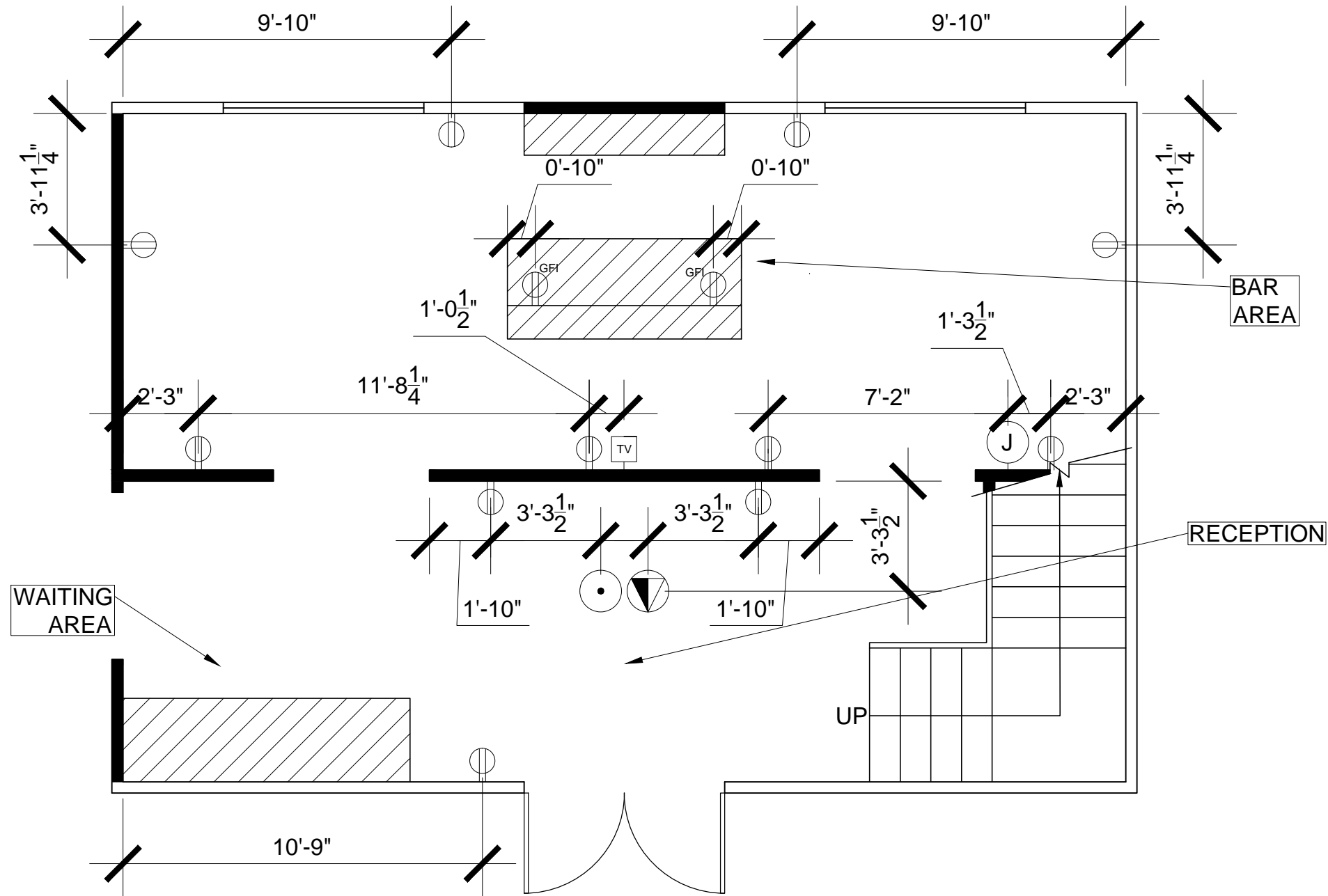
General Notes

No.	Revision/Issue	Date

Firm Name and Address
KERRY-ANN JENKINS

Project Name and Address
RESTAURANT AND BAR

Project	Sheet
Date	A2.2
Scale	



1 FIRST FLOOR POWER AND TELECOM PLAN
 SCALE: 1/4" = 1'-0"

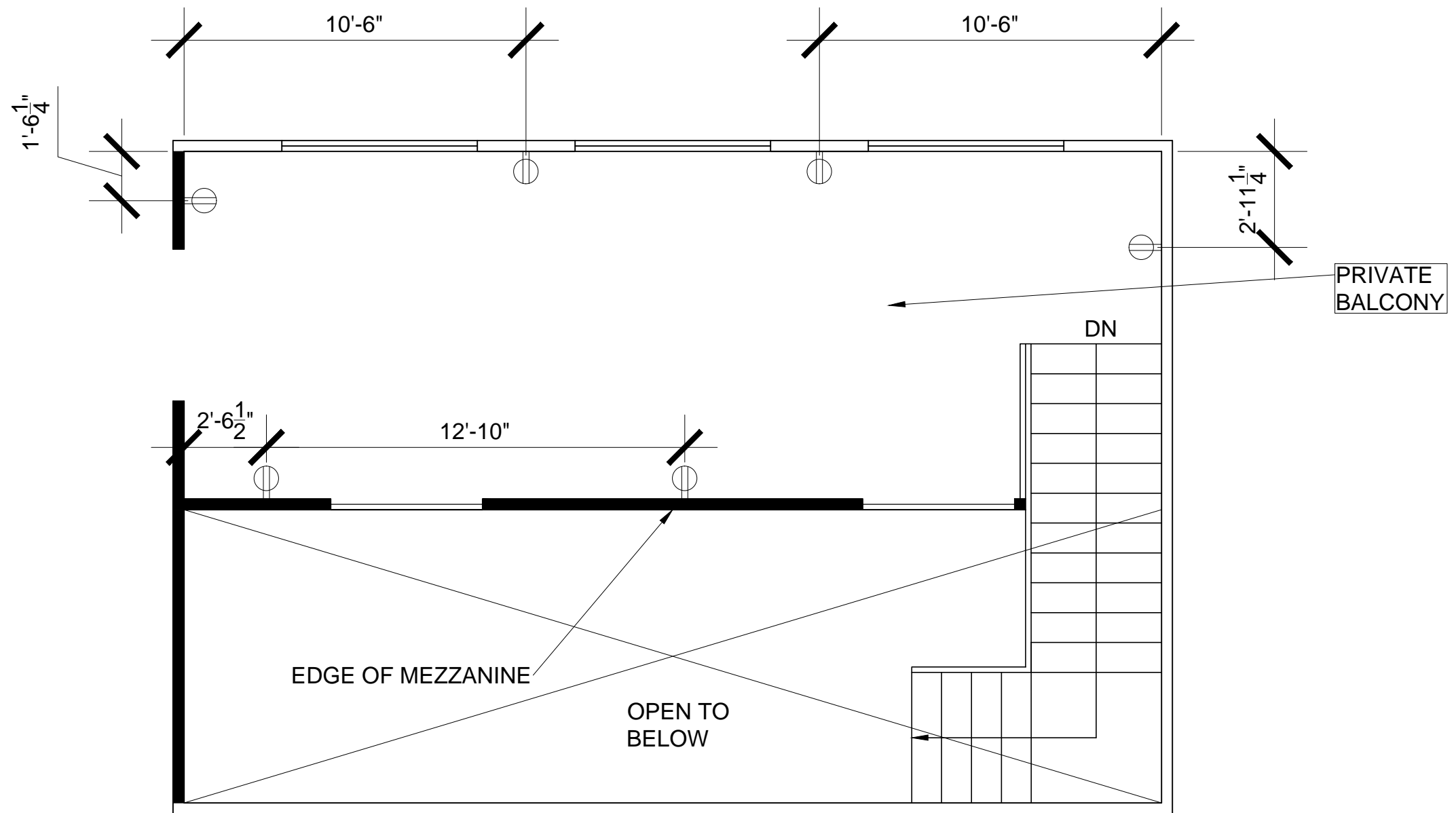
General Notes

No.	Revision/Issue	Date

Firm Name and Address
KERRY-ANN JENKINS

Project Name and Address
RESTAURANT AND BAR

Project	Sheet
Date	A3.1
Scale	



1

SECOND FLOOR POWER AND TELECOM PLAN

SCALE: 1/4" = 1'-0"

General Notes

No.	Revision/Issue	Date

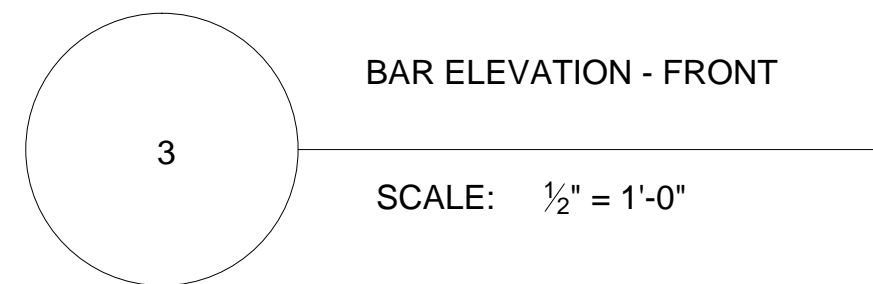
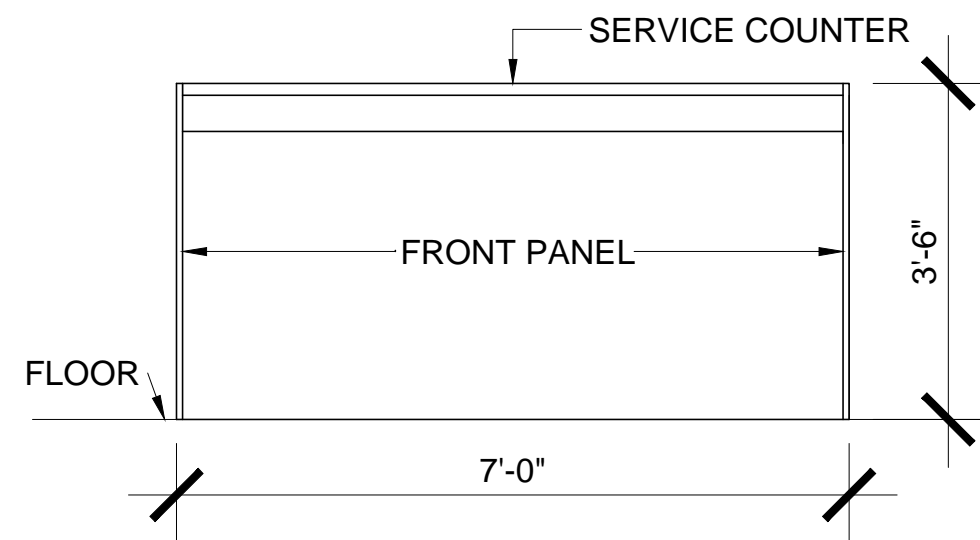
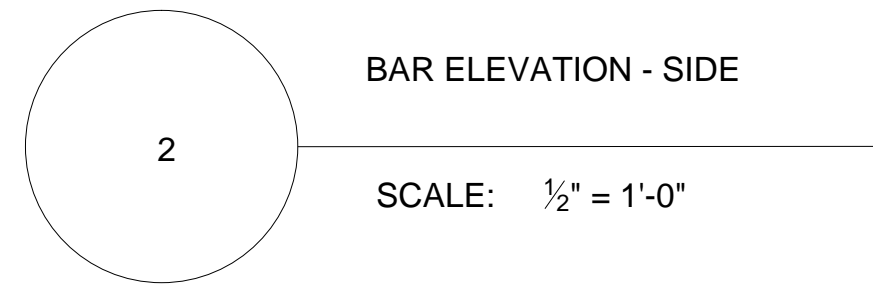
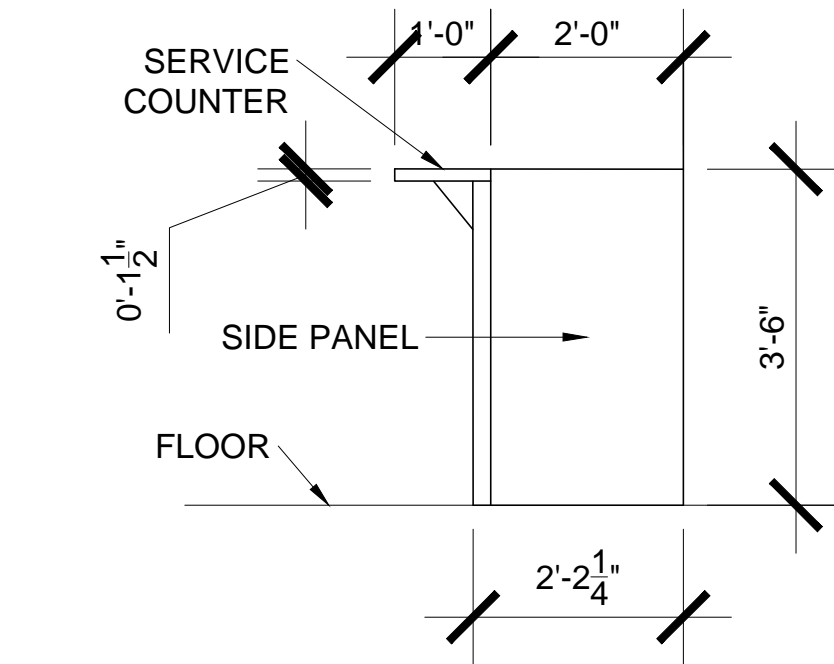
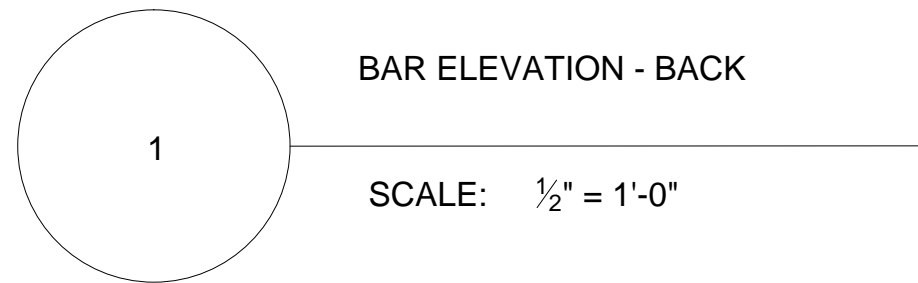
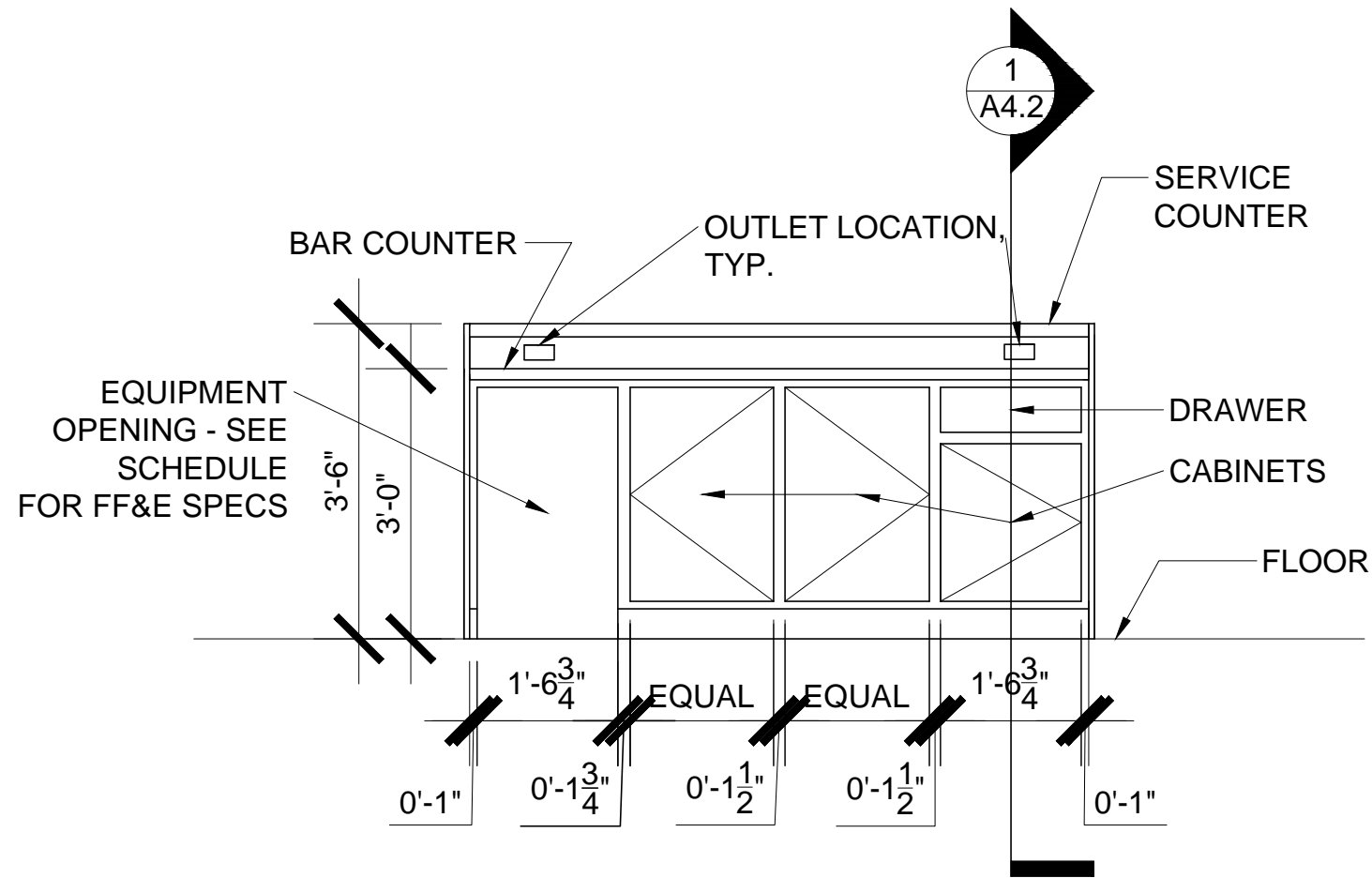
Firm Name and Address

KERRY-ANN
JENKINS

Project Name and Address

RESTAURANT
AND BAR

Project	Sheet
Date	A3.2
Scale	



General Notes

No.	Revision/Issue	Date

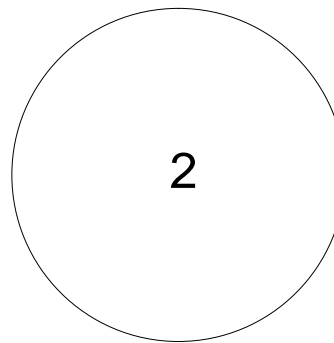
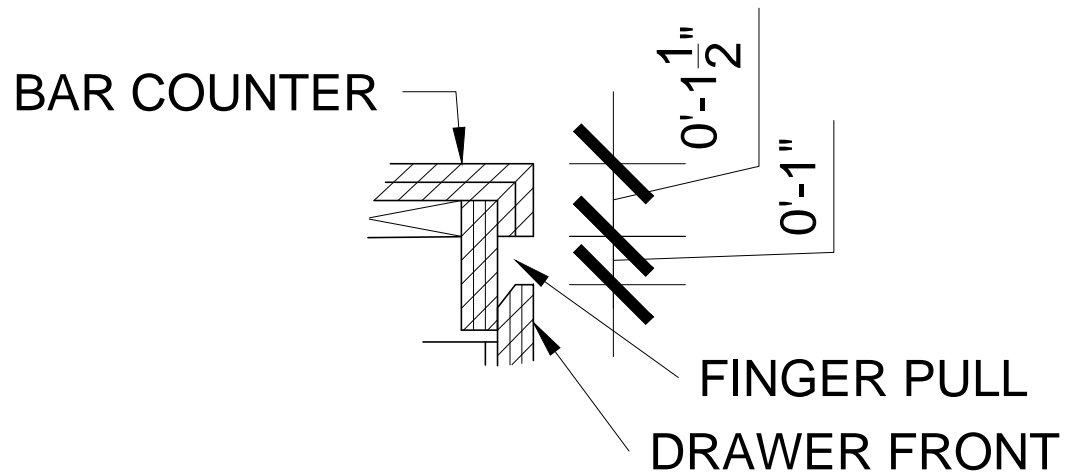
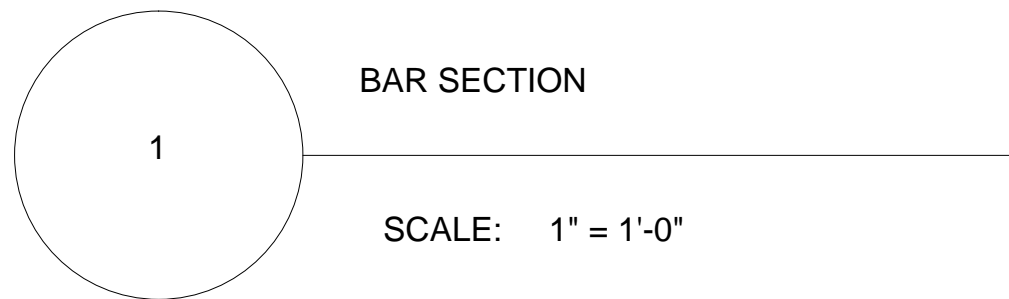
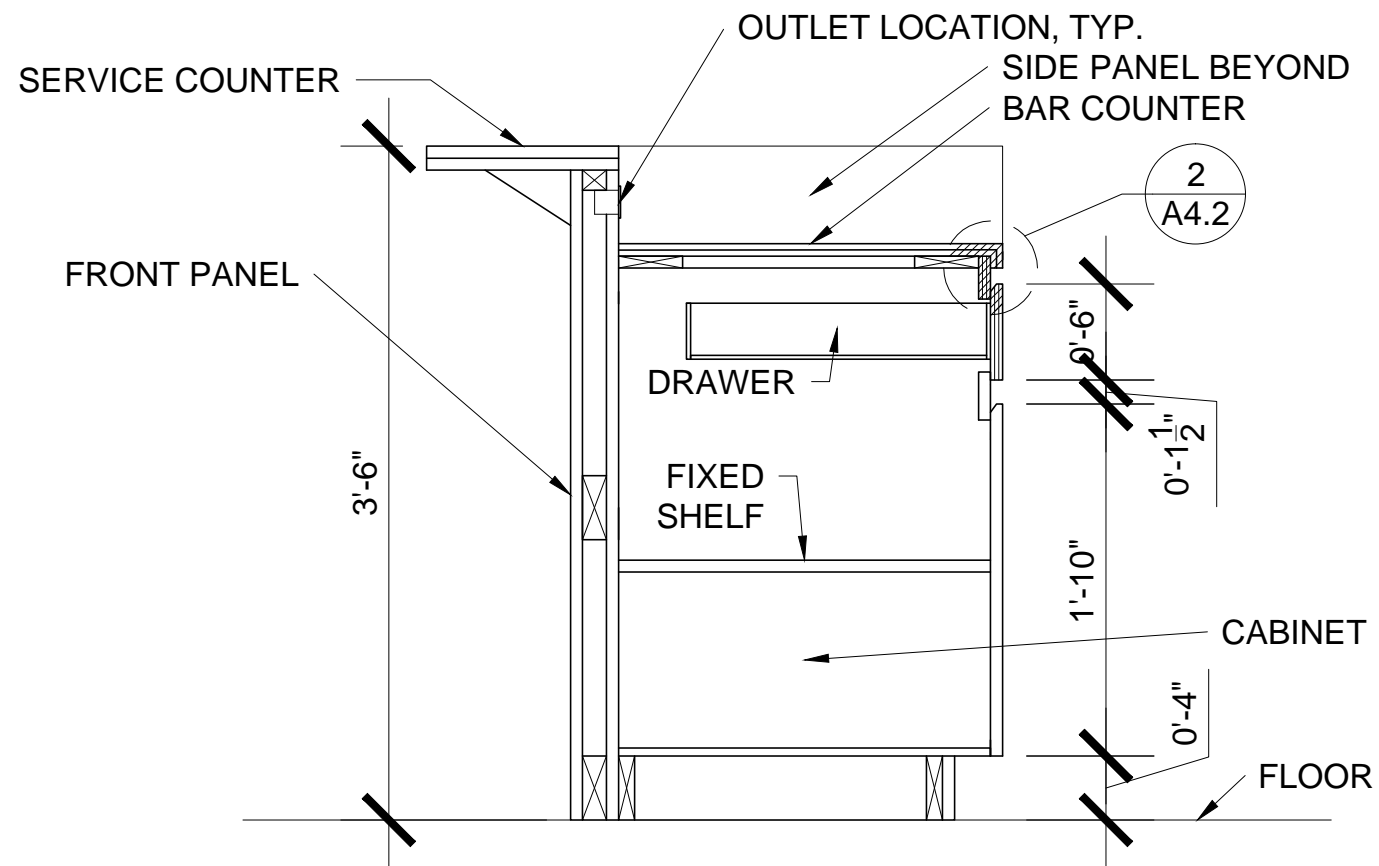
Firm Name and Address

KERRY-ANN JENKINS

Project Name and Address

RESTAURANT AND BAR

Project	Sheet
Date	A4.1
Scale	



BAR DETAIL

SCALE: 3" = 1'-0"

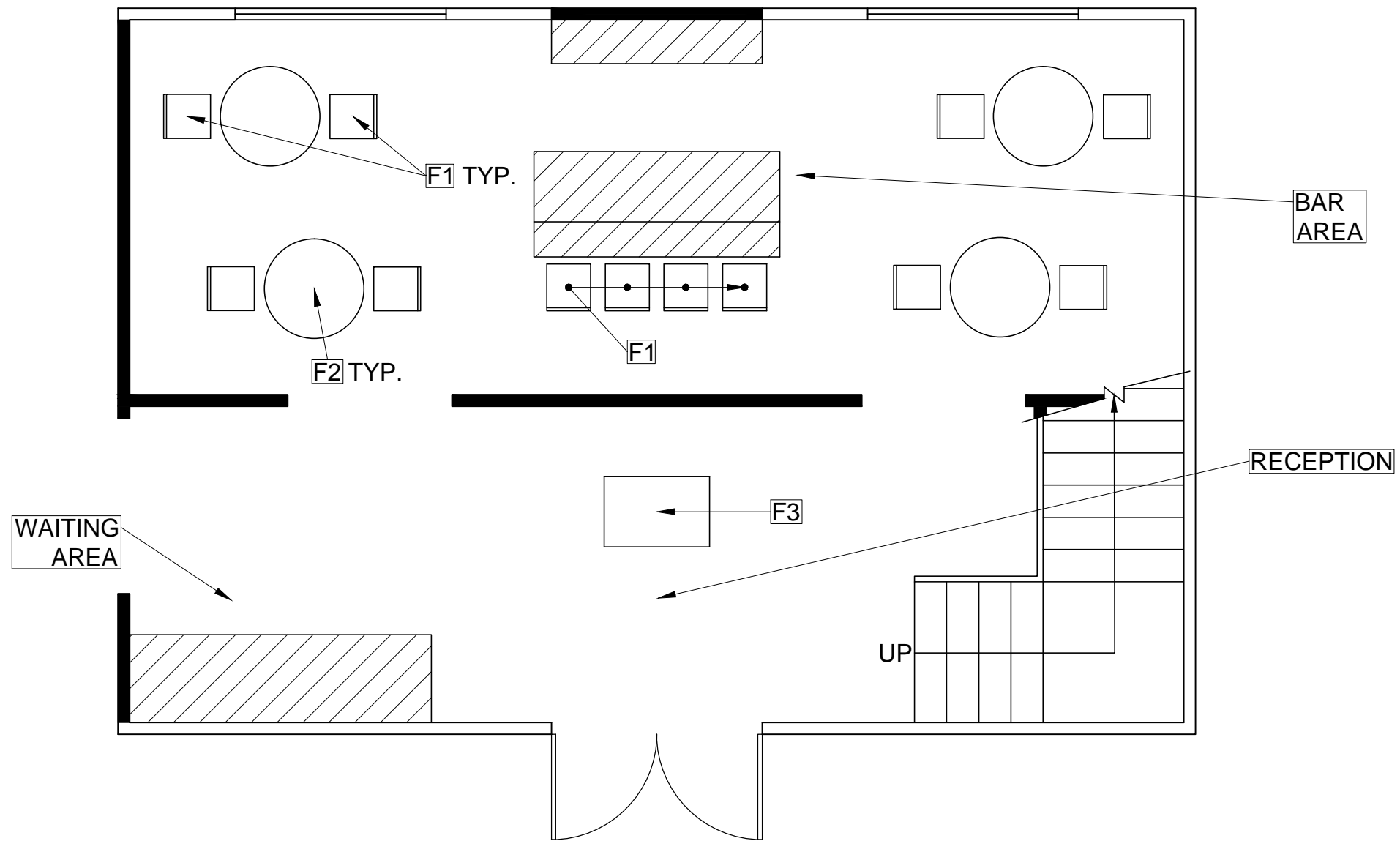
General Notes

No.	Revision/Issue	Date

Firm Name and Address
KERRY-ANN JENKINS

Project Name and Address
RESTAURANT AND BAR

Project	Sheet
Date	A4.2
Scale	



1 FIRST FLOOR FURNITURE PLAN
 SCALE: 1/4" = 1'-0"

General Notes

No.	Revision/Issue	Date

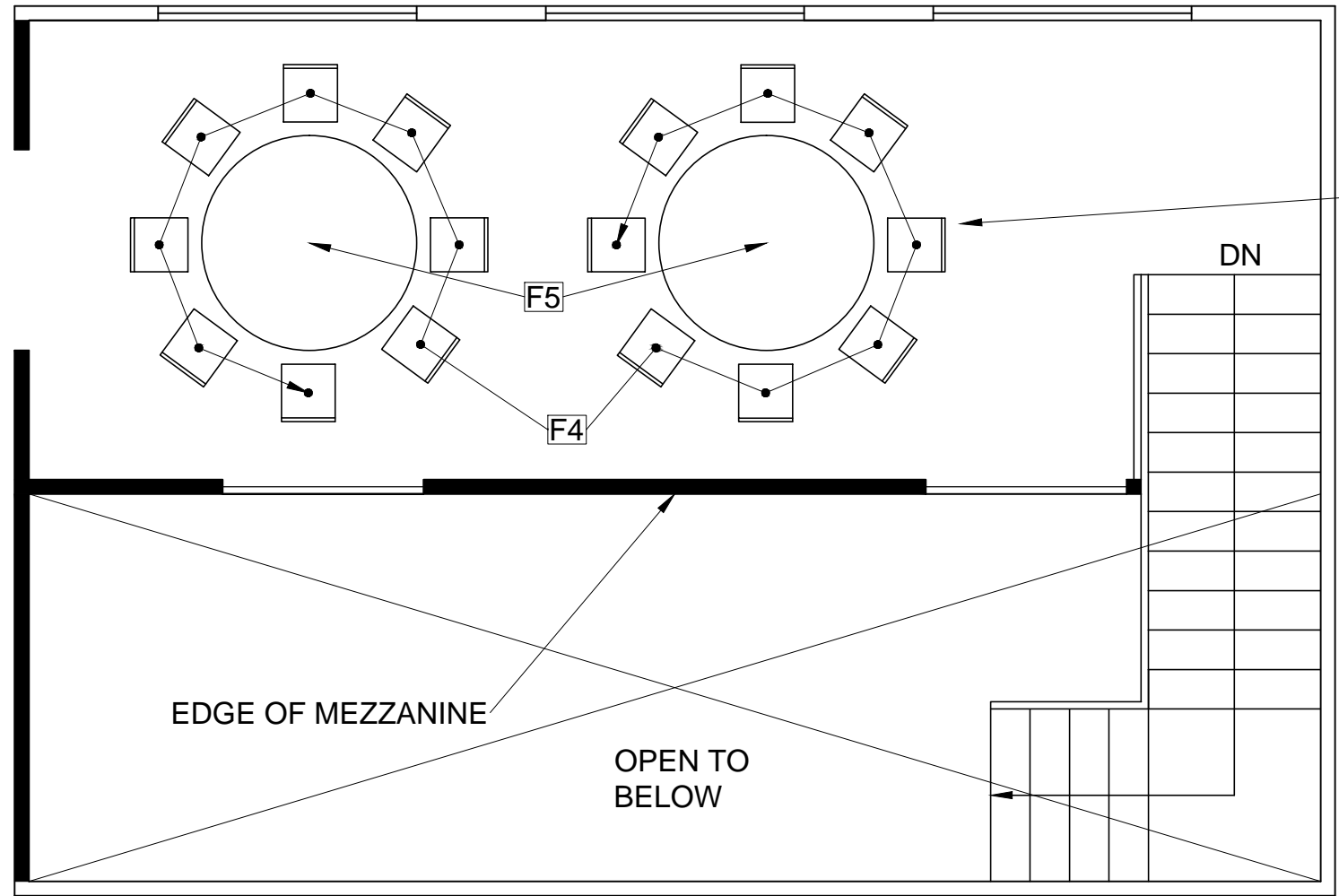
Firm Name and Address

KERRY-ANN
 JENKINS

Project Name and Address

RESTAURANT
 AND BAR

Project	Sheet
Date	F1.1
Scale	



PRIVATE
BALCONY

DN

EDGE OF MEZZANINE

OPEN TO
BELOW

F5

F4

1

SECOND FLOOR FURNITURE PLAN

SCALE: 1/4" = 1'-0"

General Notes

No.	Revision/Issue	Date

Firm Name and Address

KERRY-ANN
JENKINS

Project Name and Address

RESTAURANT
AND BAR

Project

Date

Scale

Sheet

F1.2

