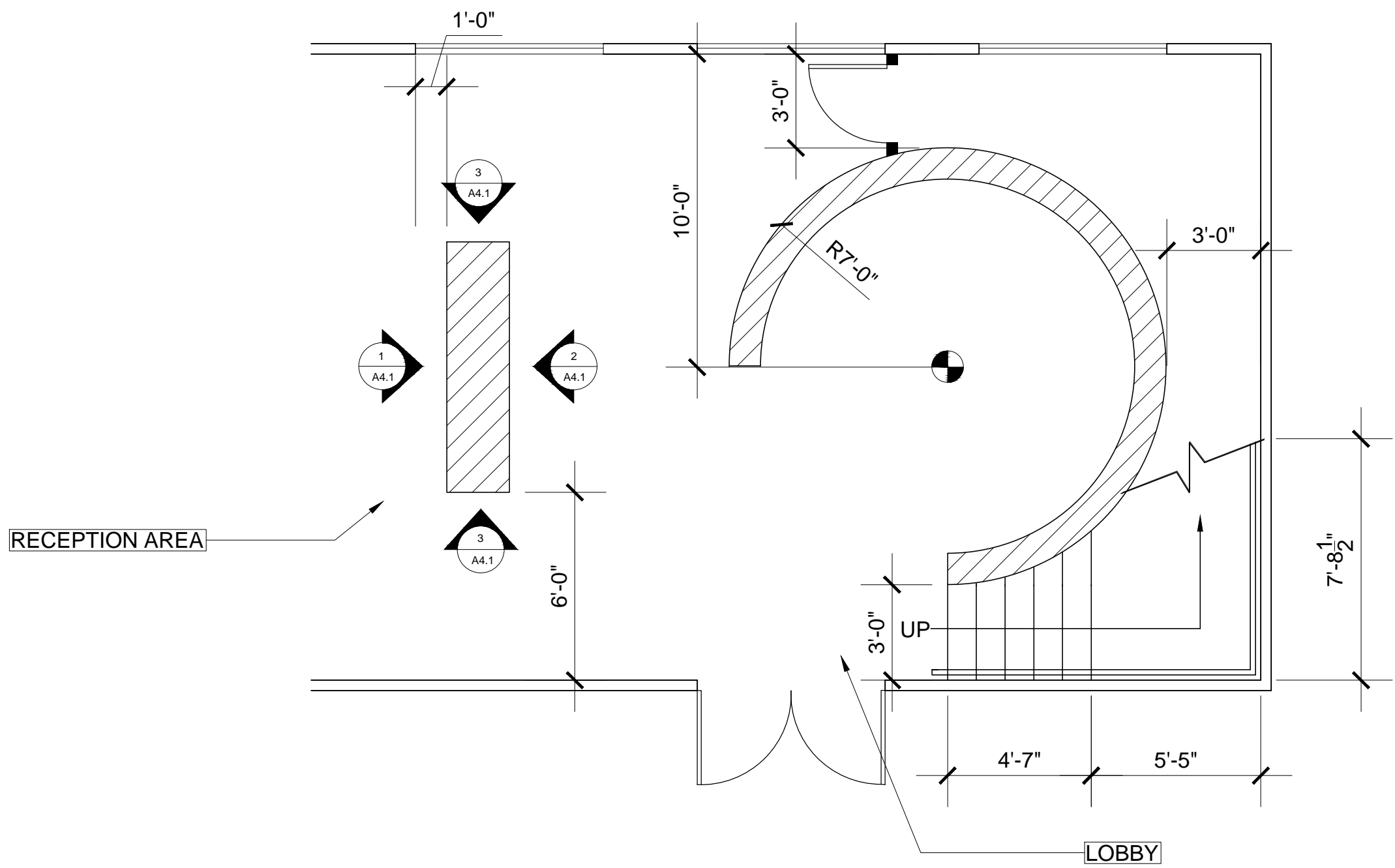


No.	Revision/Issue	Date

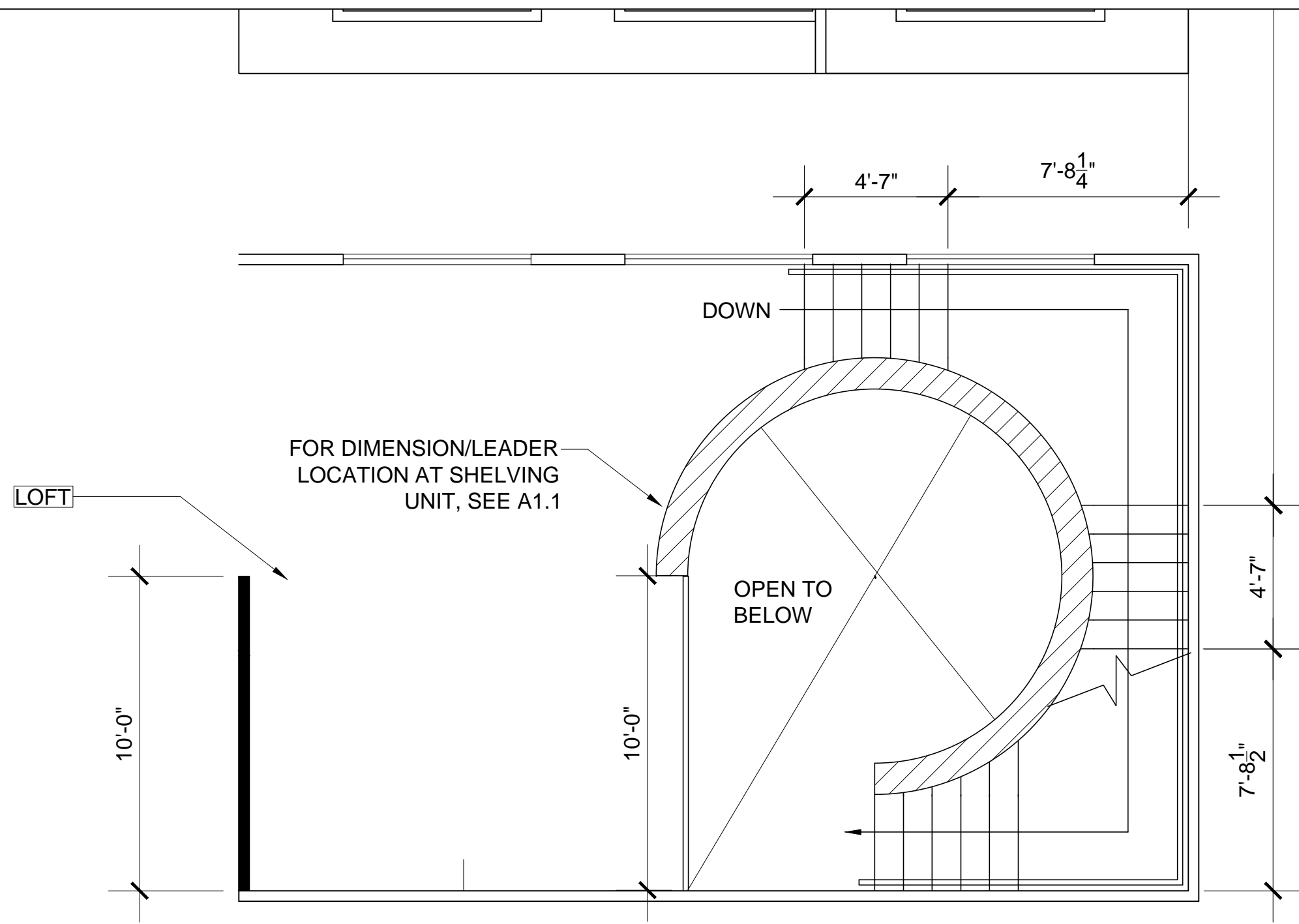
Firm Name and Address
HEATHER SMITH

Project Name and Address
LIBRARY RECEPTION

Project	Sheet
Date	A1.1
Scale	



1 FIRST FLOOR PLAN
 0'-1/4" = 1'-0"



2 SECOND FLOOR PLAN
0'-1/4" = 1'-0"

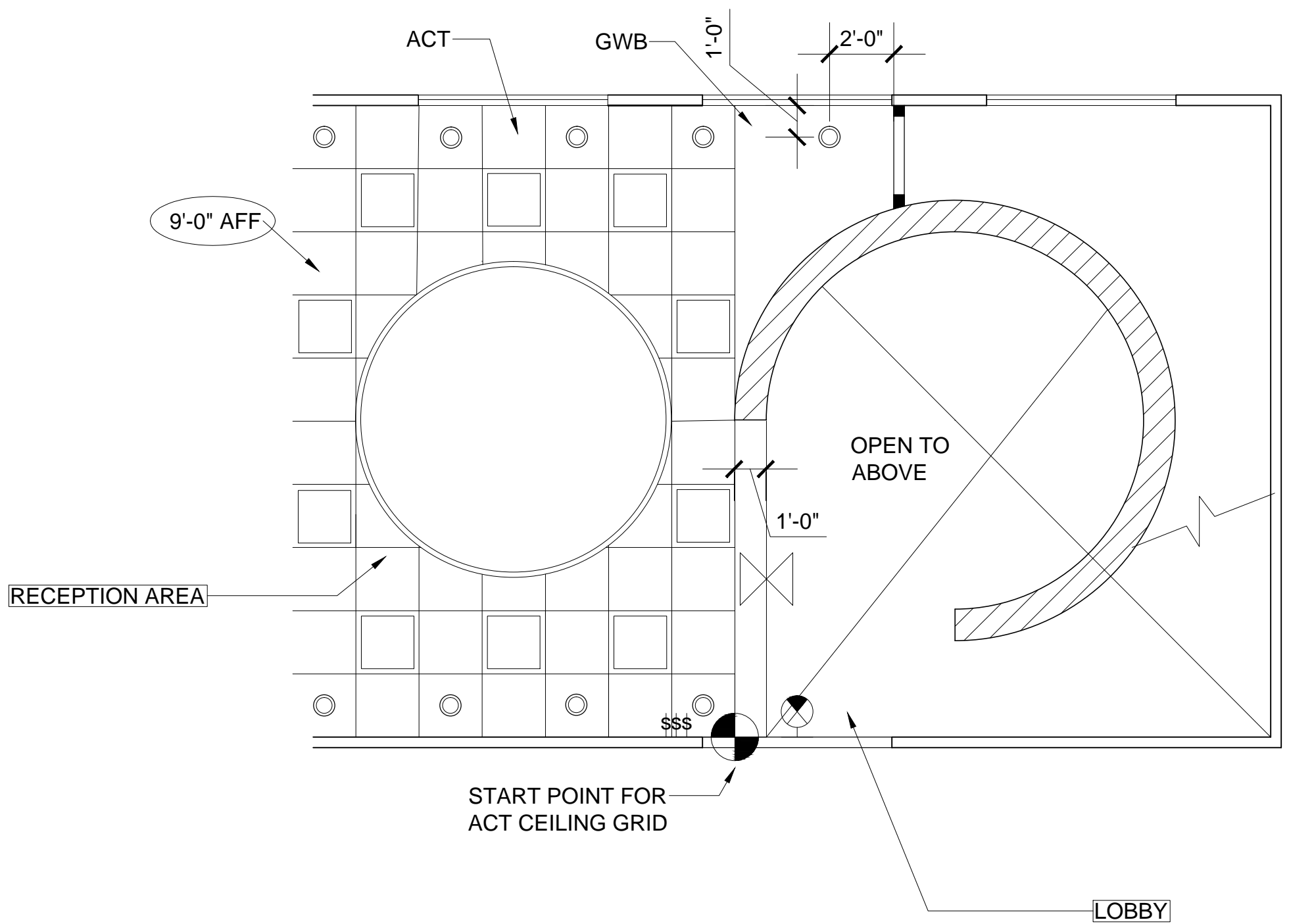
General Notes

No.	Revision/Issue	Date

Firm Name and Address
HEATHER SMITH

Project Name and Address
LIBRARY RECEPTION

Project	Sheet
Date	A1.2
Scale	



1 FIRST FLOOR REFLECTED CEILING PLAN
 0'-1/4" = 1'-0"

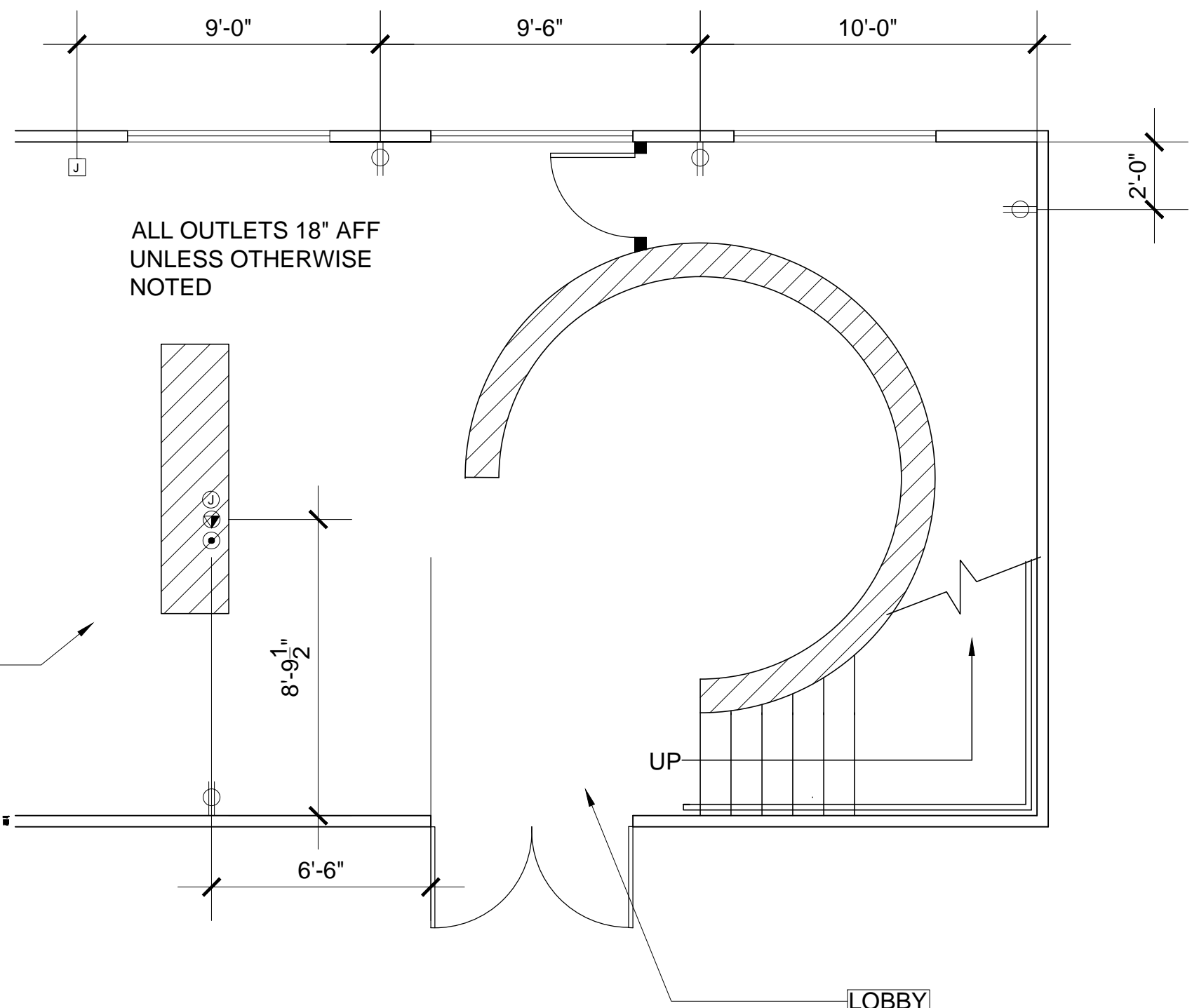
General Notes

No.	Revision/Issue	Date

Firm Name and Address
HEATHER SMITH

Project Name and Address
LIBRARY RECEPTION

Project	Sheet
Date	A2.1
Scale	



1 FIRST FLOOR POWER/TELECOM PLAN
 0'-1/4" = 1'-0"

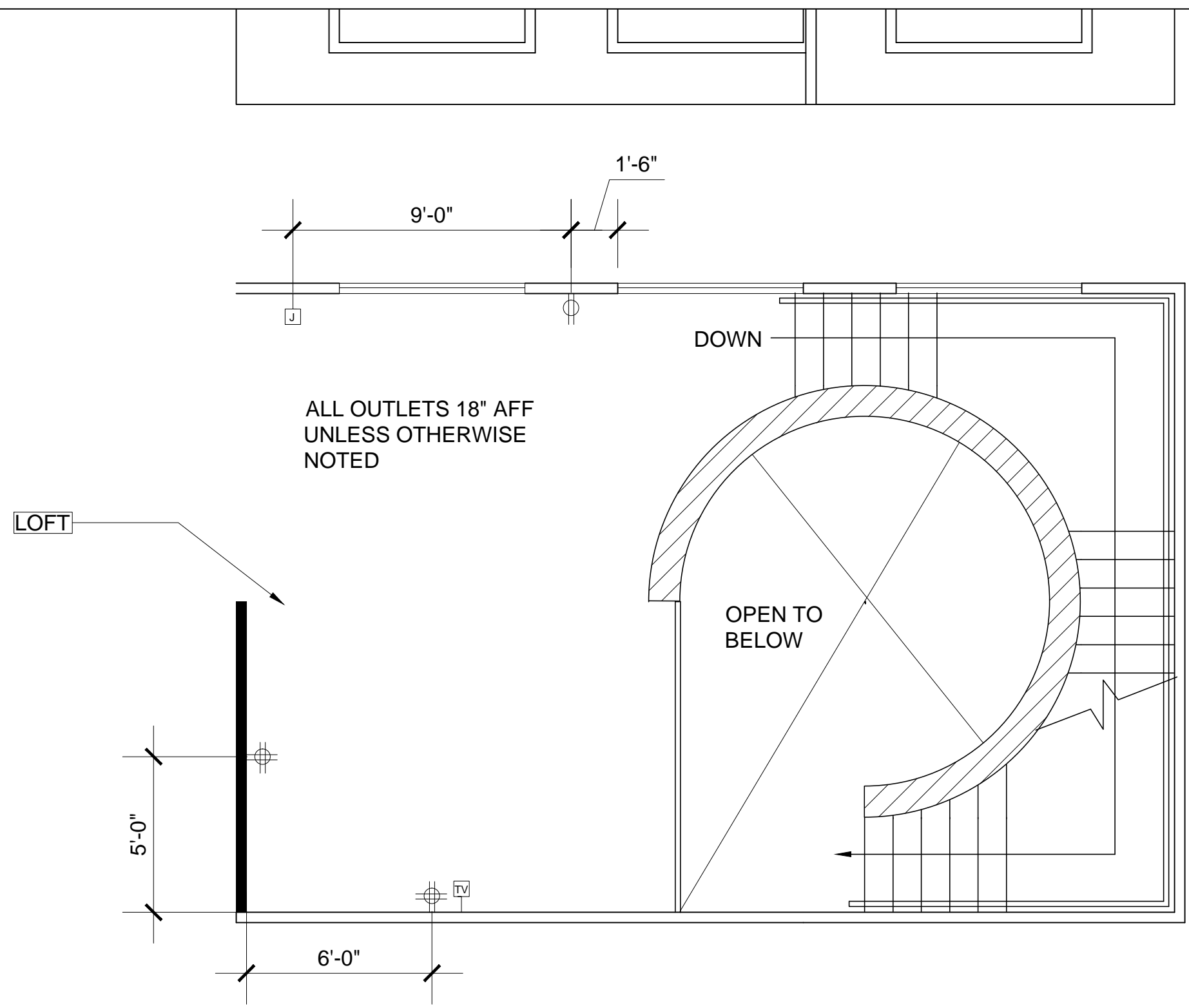
General Notes

No.	Revision/Issue	Date

Firm Name and Address
HEATHER SMITH

Project Name and Address
LIBRARY RECEPTION

Project	Sheet
Date	A3.1
Scale	



2 SECOND FLOOR POWER/TELECOM PLAN
 0'-1/4" = 1'-0"

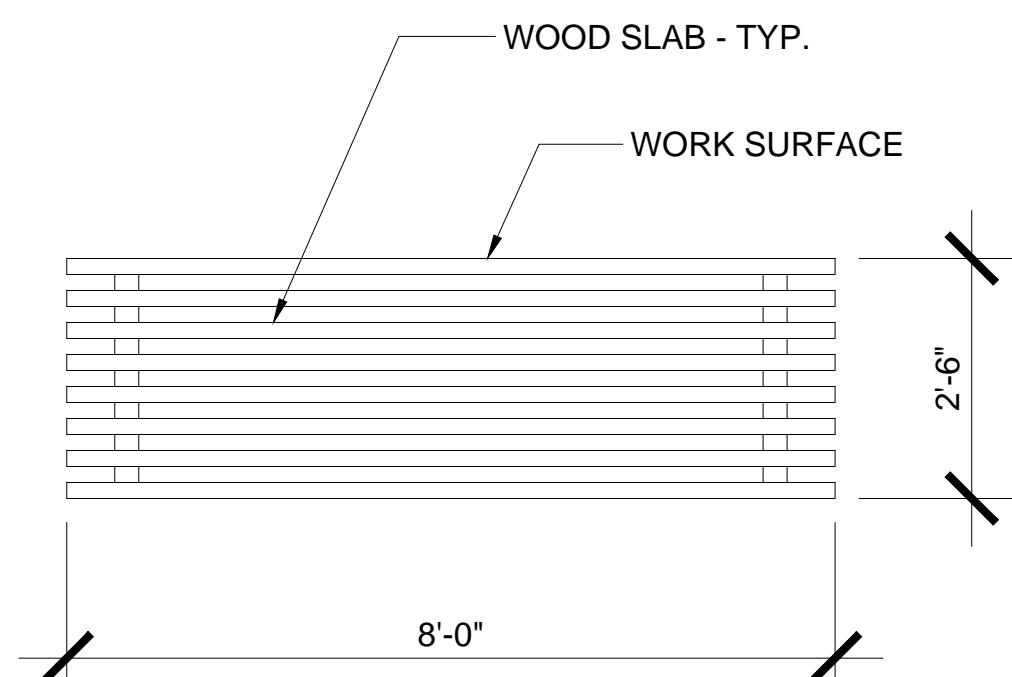
General Notes

No.	Revision/Issue	Date

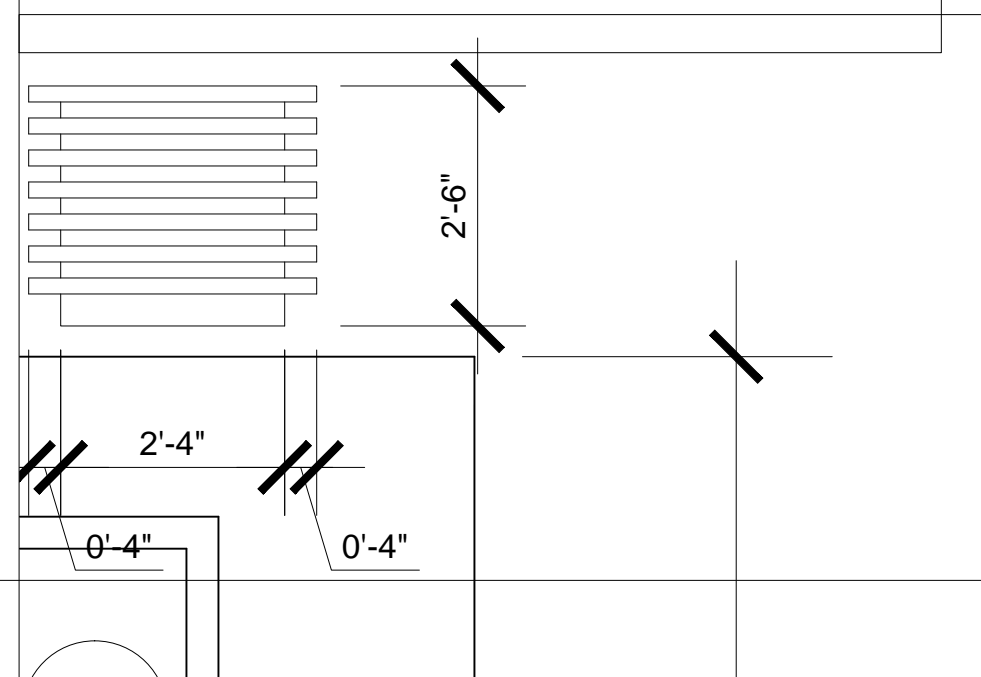
Firm Name and Address
HEATHER SMITH

Project Name and Address
LIBRARY RECEPTION

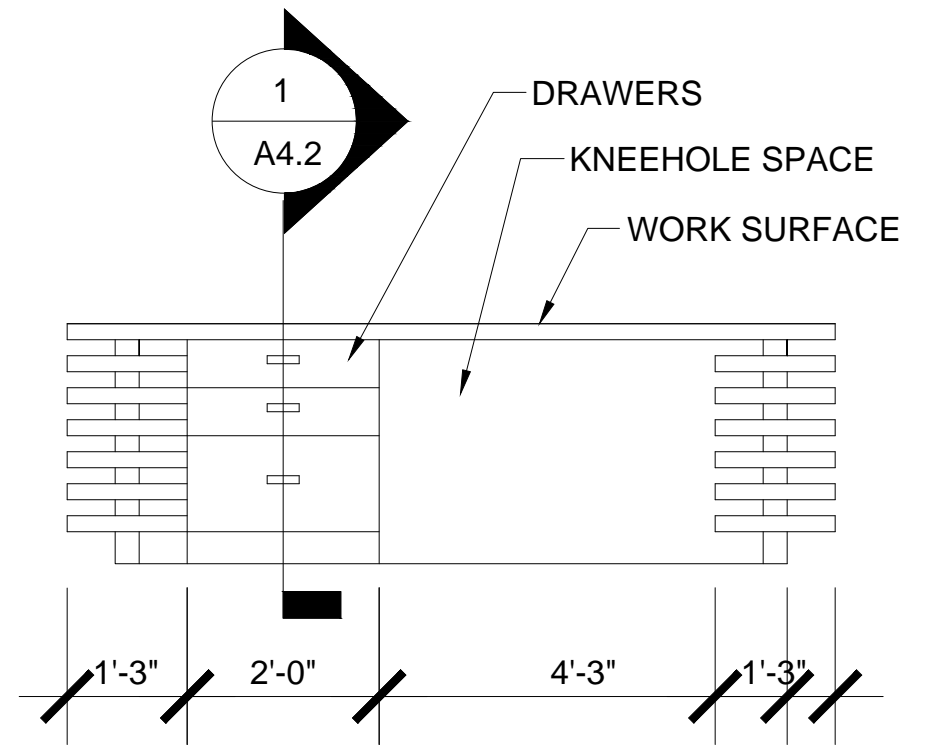
Project	Sheet
Date	A3.2
Scale	



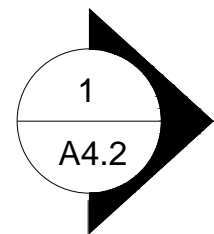
1 RECEPTION DESK ELEVATION
0'-1/2" = 1'-0"



3 RECEPTION DESK ELEVATION
0'-1/2" = 1'-0"



2 RECEPTION DESK ELEVATION
0'-1/2" = 1'-0"



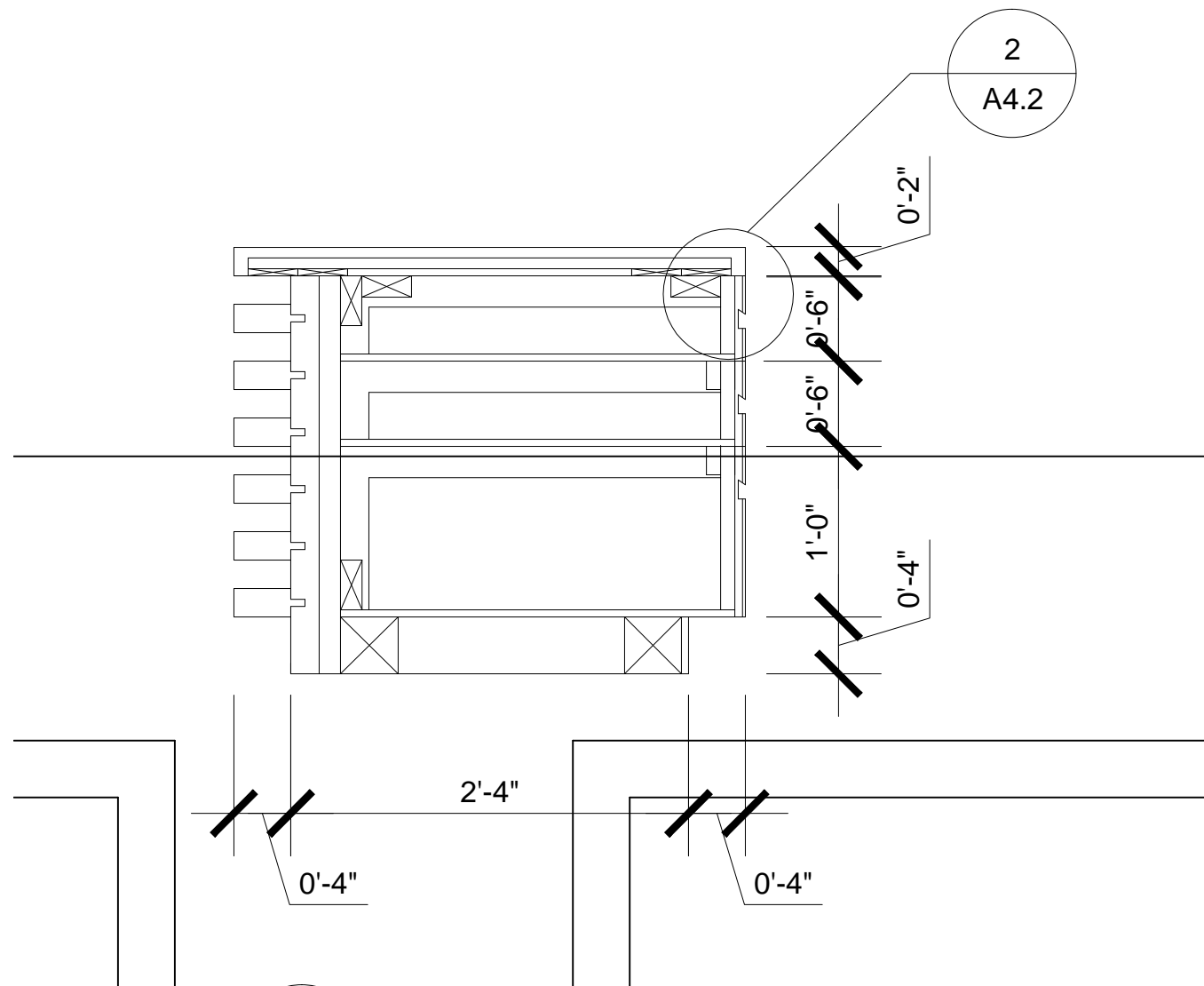
General Notes

No.	Revision/Issue	Date

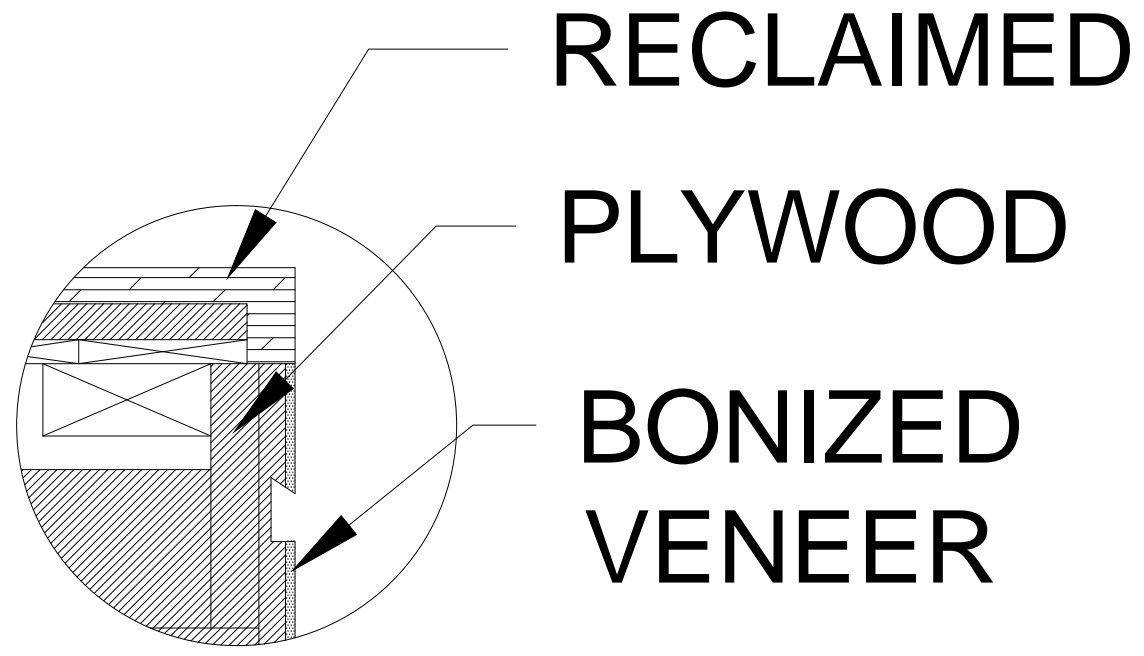
Firm Name and Address
HEATHER SMITH

Project Name and Address
LIBRARY RECEPTION

Project	Sheet
Date	A4.1
Scale	



1 RECEPTION DESK SECTION
0'-1" = 1'-0"



2 RECEPTION DESK DETAIL
0'-3" = 1'-0"

General Notes

No.	Revision/Issue	Date

Firm Name and Address
HEATHER SMITH

Project Name and Address
LIBRARY RECEPTION

Project	Sheet
Date	A4.2
Scale	

FURNITURE SCHEDULE				
CODE	ITEM	MFCR	MODEL	DIMENSIONS
F1	RECEPTION CHAIR	TBD	TBD	TBD
F2	CIRCULAR BENCH SEATING	TBD	TBD	TBD
F3	LOFT CHAIRS	TBD	TBD	TBD
F4	LOFT TABLE	TBD	TBD	TBD

1

FURNITURE SCHEDULE
NOT TO SCALE

General Notes

No.	Revision/Issue	Date

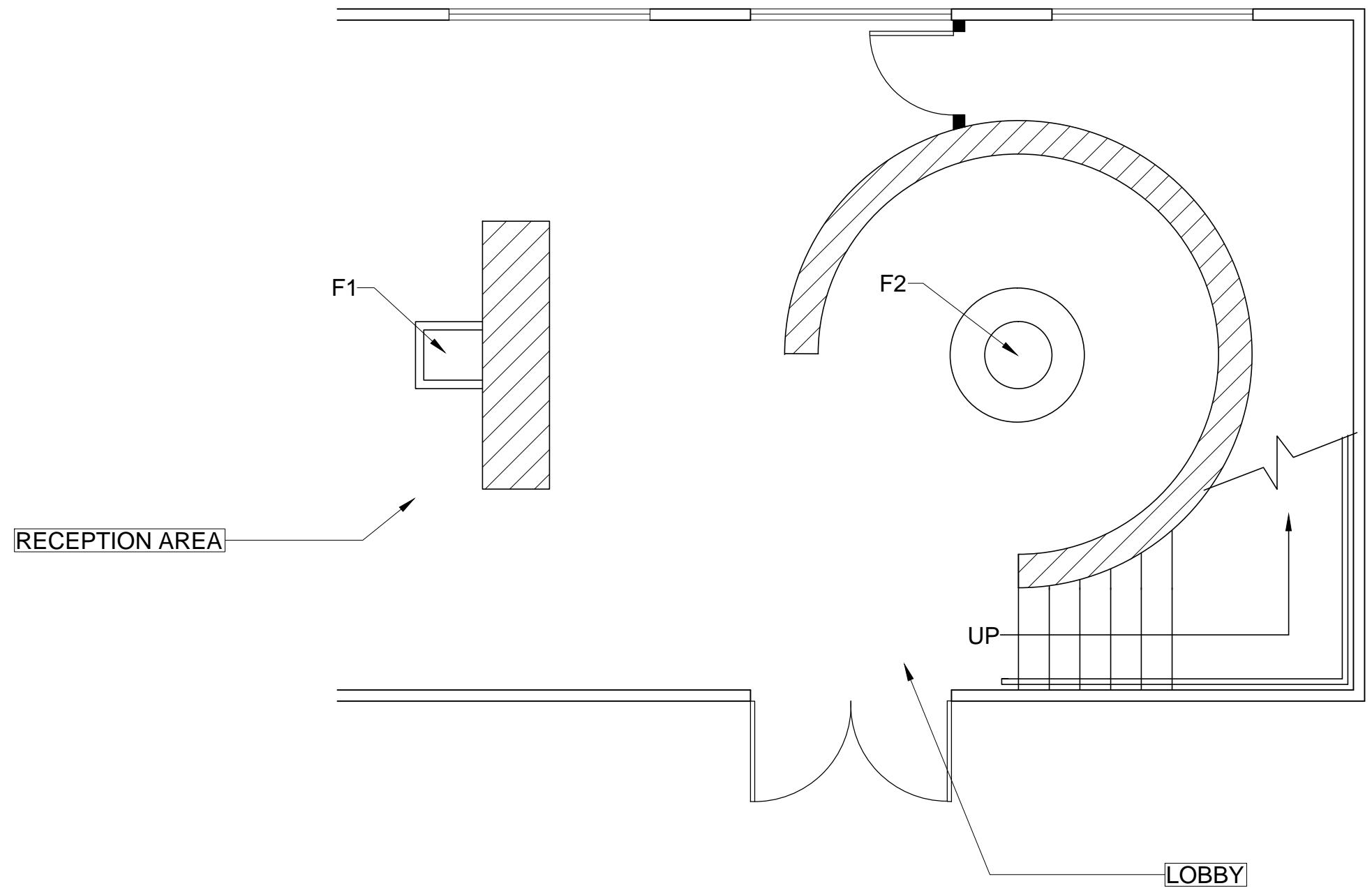
Firm Name and Address

HEATHER SMITH

Project Name and Address

LIBRARY RECEPTION

Project	Sheet
Date	F0.1
Scale	



1 FIRST FLOOR FURNITURE PLAN
 0'-1/4" = 1'-0"

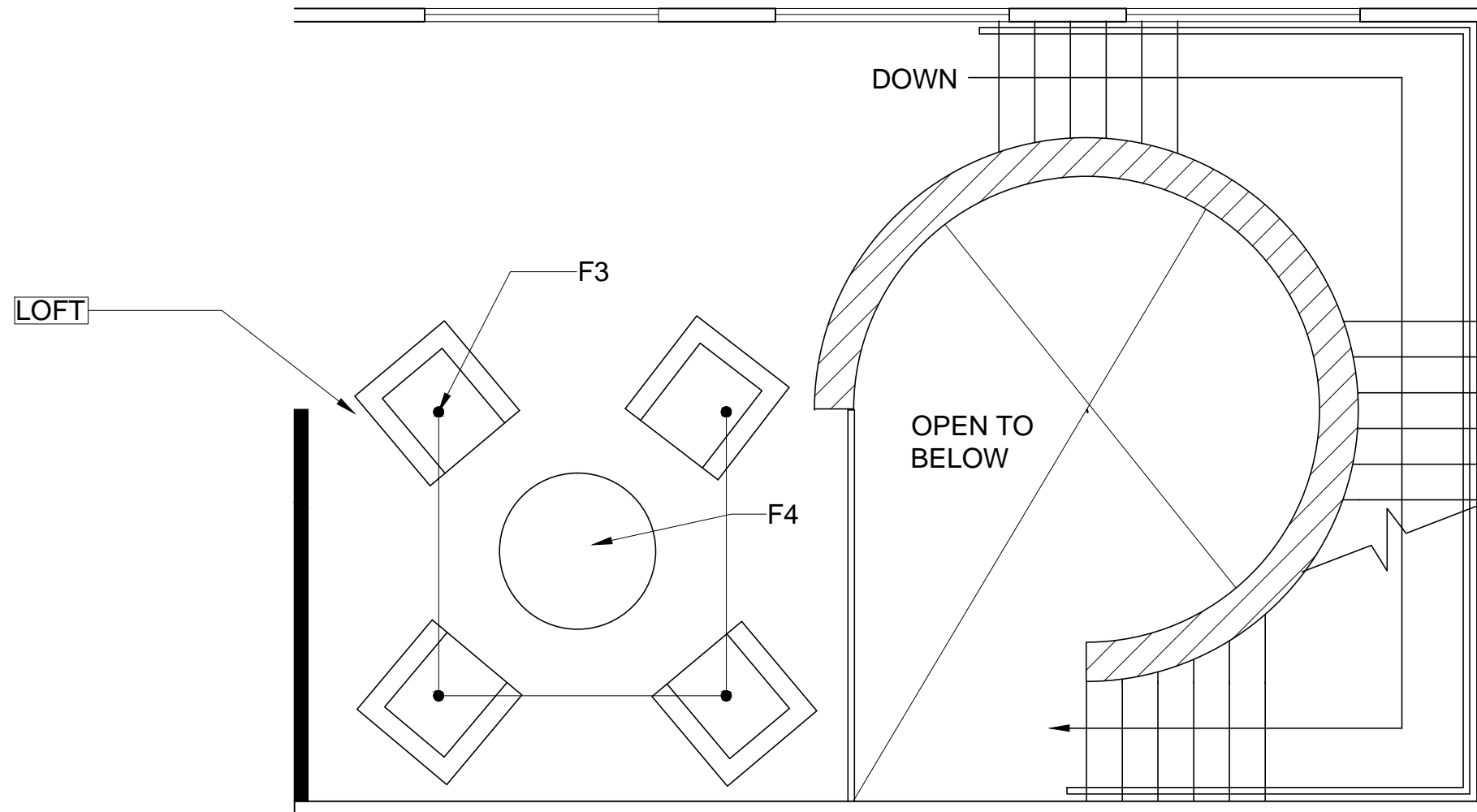
General Notes

No.	Revision/Issue	Date

Firm Name and Address
 HEATHER SMITH

Project Name and Address
 LIBRARY RECEPTION

Project	Sheet
Date	F1.1
Scale	



2 SECOND FLOOR FURNITURE PLAN
 0'-1/4" = 1'-0"

General Notes

No.	Revision/Issue	Date

Firm Name and Address
 HEATHER SMITH

Project Name and Address
 LIBRARY RECEPTION

Project	Sheet
Date	F1.2
Scale	