

1 PARTITION PLAN FIRST FLOOR
 SCALE: 1/4" = 1'-0"

General Notes

No.	Revision/Issue	Date

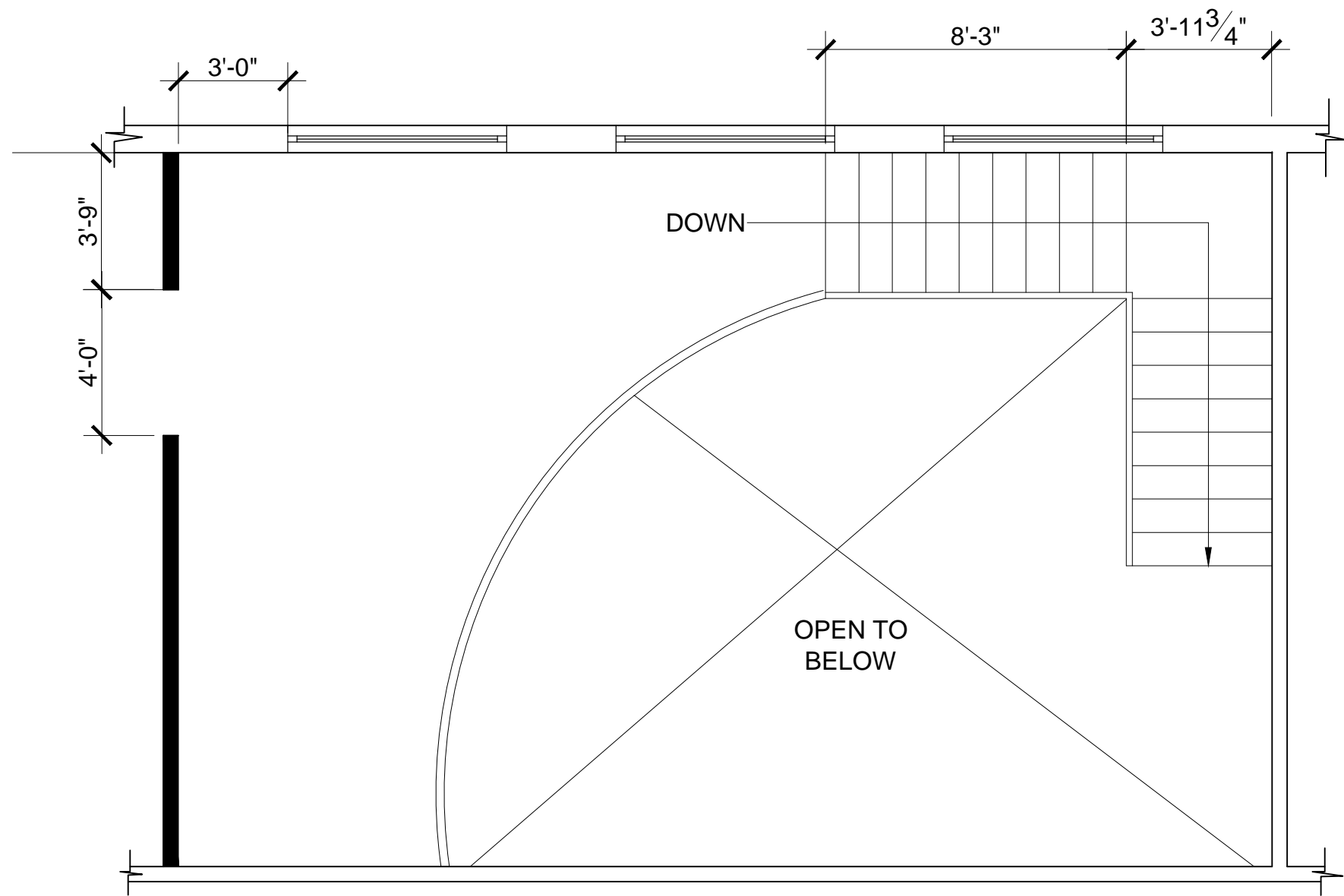
Firm Name and Address

SARA WILLIAMSON

Project Name and Address

IDSN 2281 RECEPTION

Project	Sheet
Date	A1.1
SEE DWG	



1 PARTITION PLAN SECOND FLOOR
 SCALE: 1/4" = 1'-0"

General Notes

No.	Revision/Issue	Date

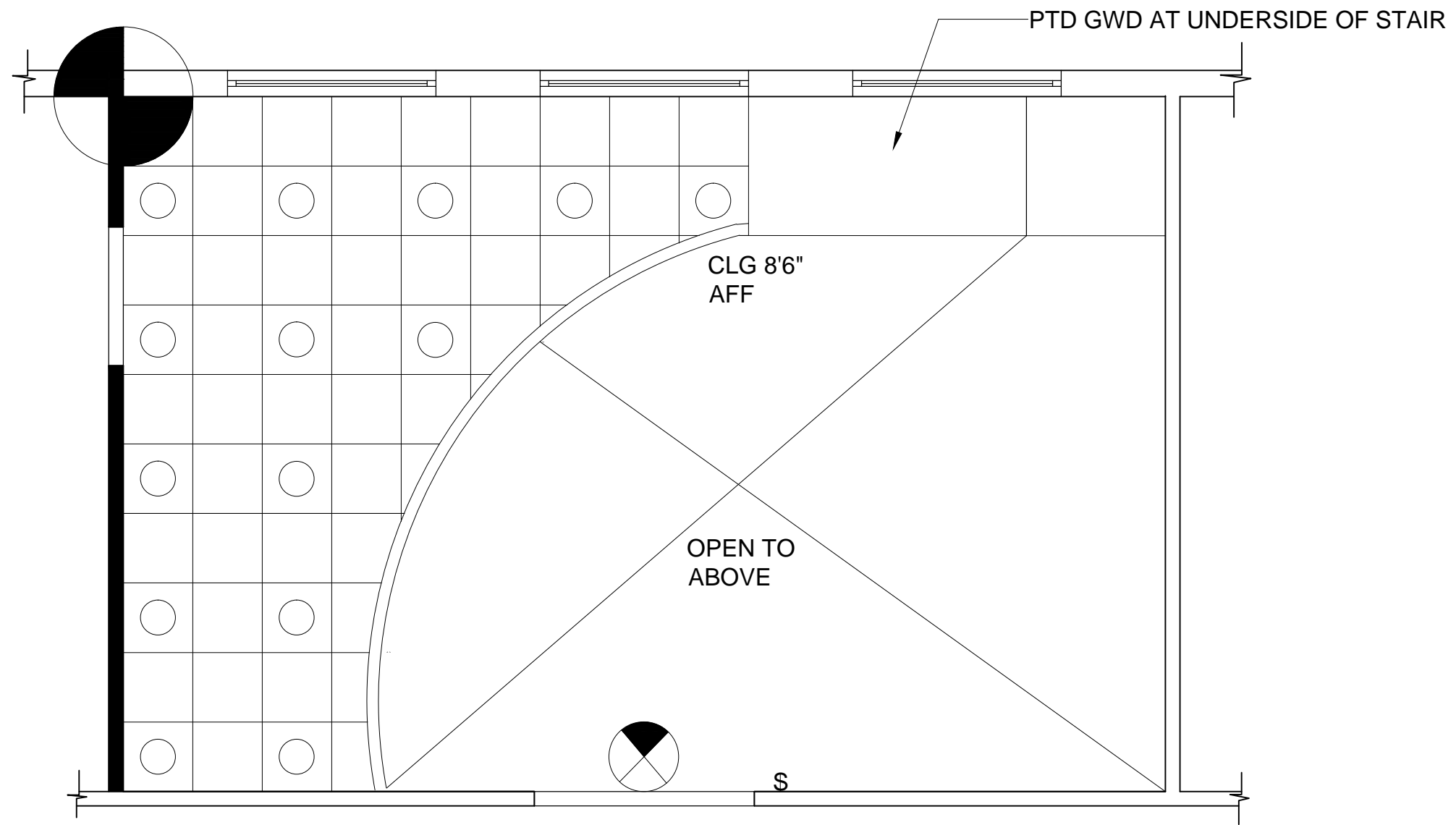
Firm Name and Address

SARA WILLIAMSON

Project Name and Address

IDSN 2281 RECEPTION

Project	Sheet
Date	A1.2
Scale	SEE DWG



1 REFLECTED CEILING PLAN FIRST FLOOR
 SCALE: 1/4" = 1'-0"

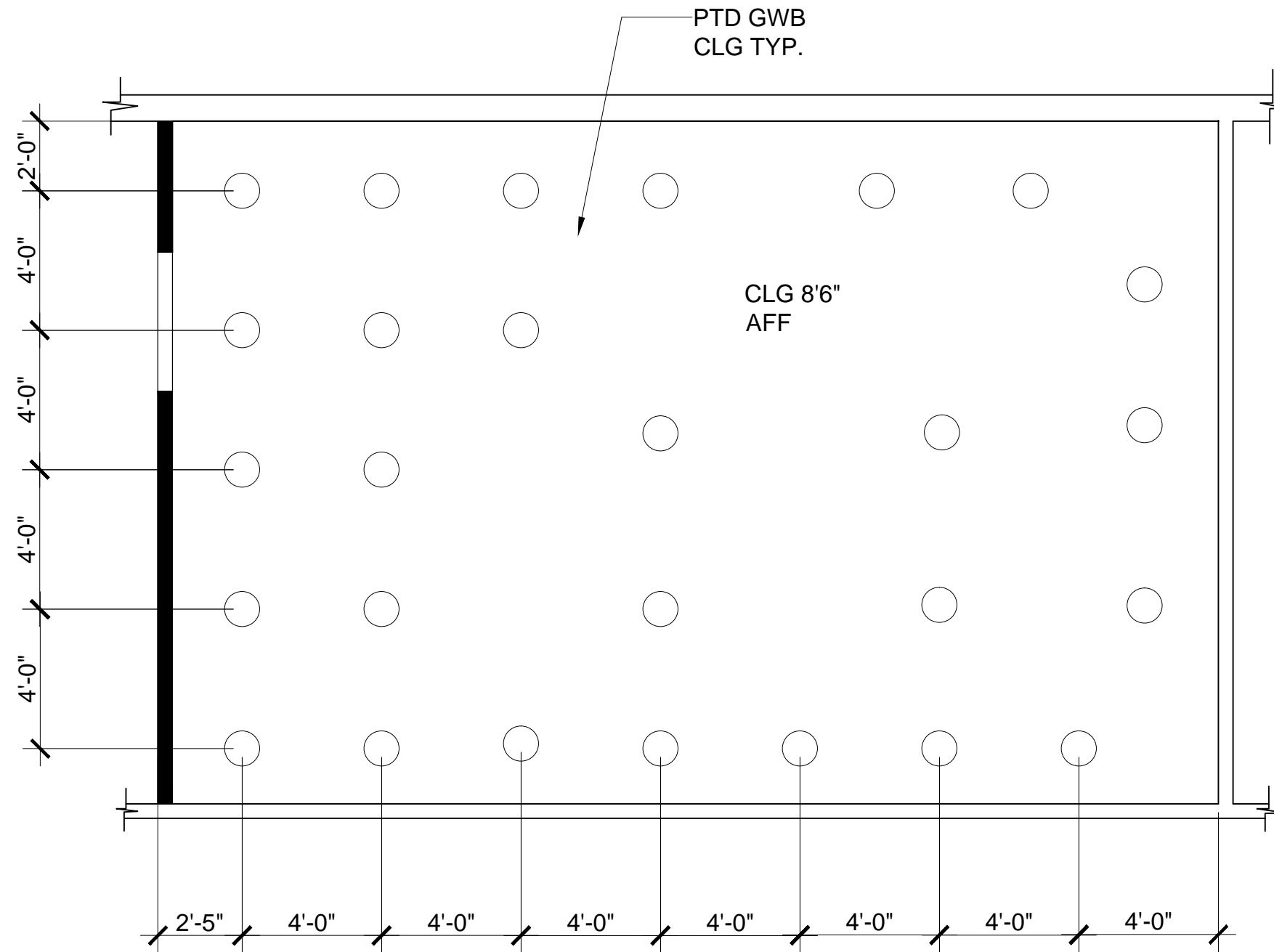
General Notes

No.	Revision/Issue	Date

Firm Name and Address
 SARA WILLIAMSON

Project Name and Address
 IDSN 2281 RECEPTION

Project	Sheet
Date	A2.1
SEE DWG	



1 REFLECTED CEILING PLAN SECOND FLOOR
SCALE: 1/4" = 1'-0"

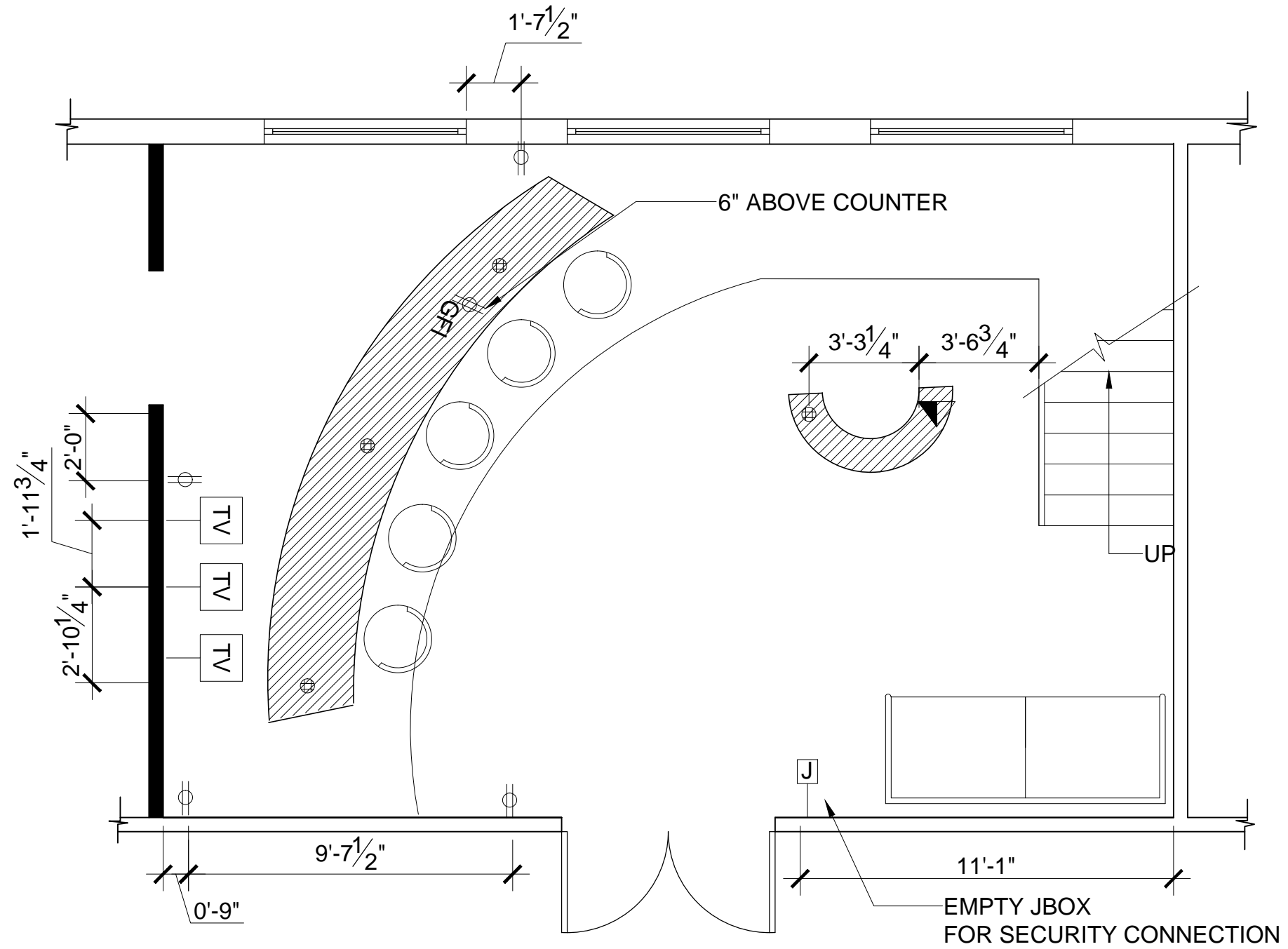
General Notes

No.	Revision/Issue	Date

Firm Name and Address
SARA
WILLIAMSON

Project Name and Address
IDSN 2281
RECEPTION

Project	Sheet
Date	A2.2
SEE DWG	



1 POWER AND TELECOM PLAN FIRST FLOOR
 SCALE: 1/4" = 1'-0"

General Notes

No.	Revision/Issue	Date

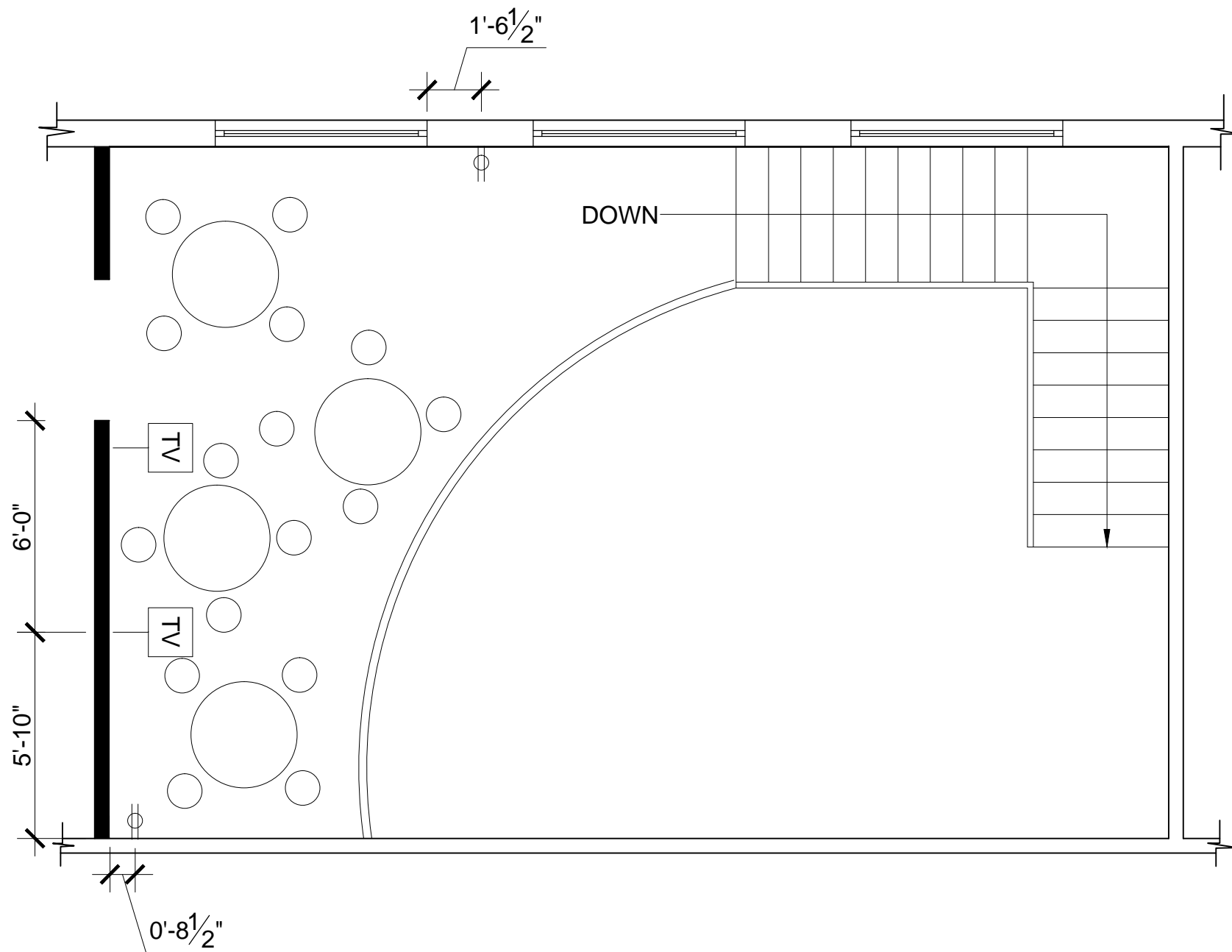
Firm Name and Address

SARA WILLIAMSON

Project Name and Address

IDSN 2281 RECEPTION

Project	Sheet
Date	A3.1
Scale	SEE DWG



1 POWER AND TELECOM PLAN SECOND FLOOR
 SCALE: 1/4" = 1'-0"

General Notes

No.	Revision/Issue	Date

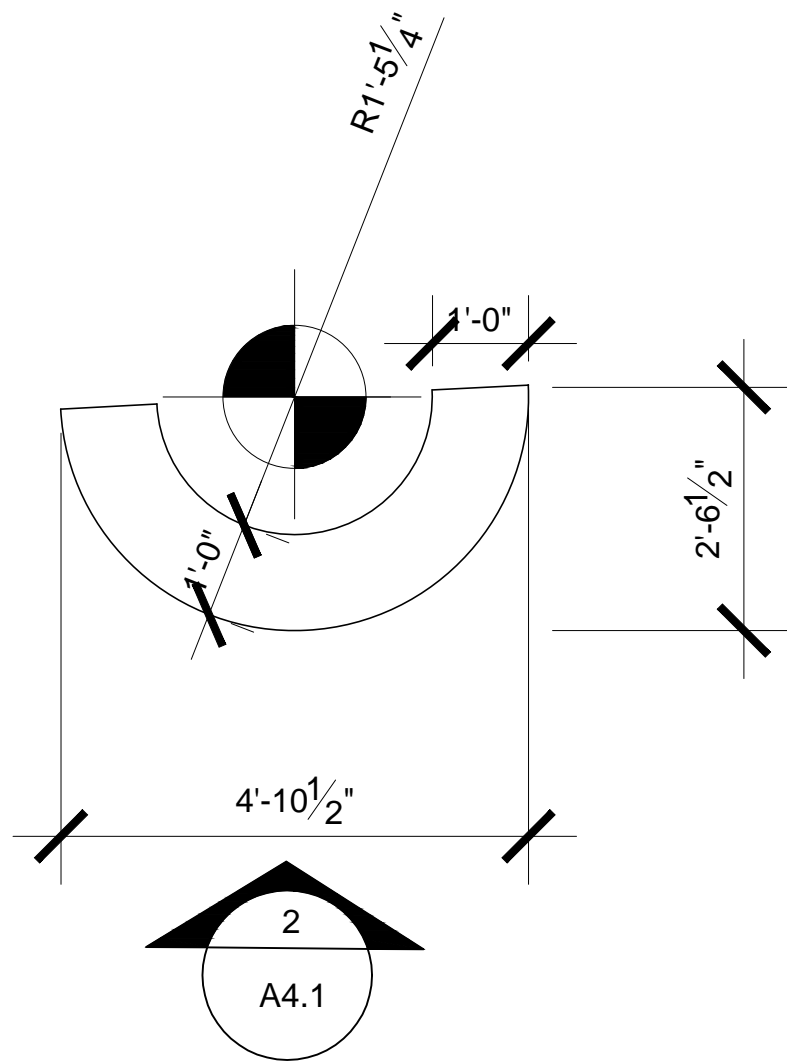
Firm Name and Address

SARA WILLIAMSON

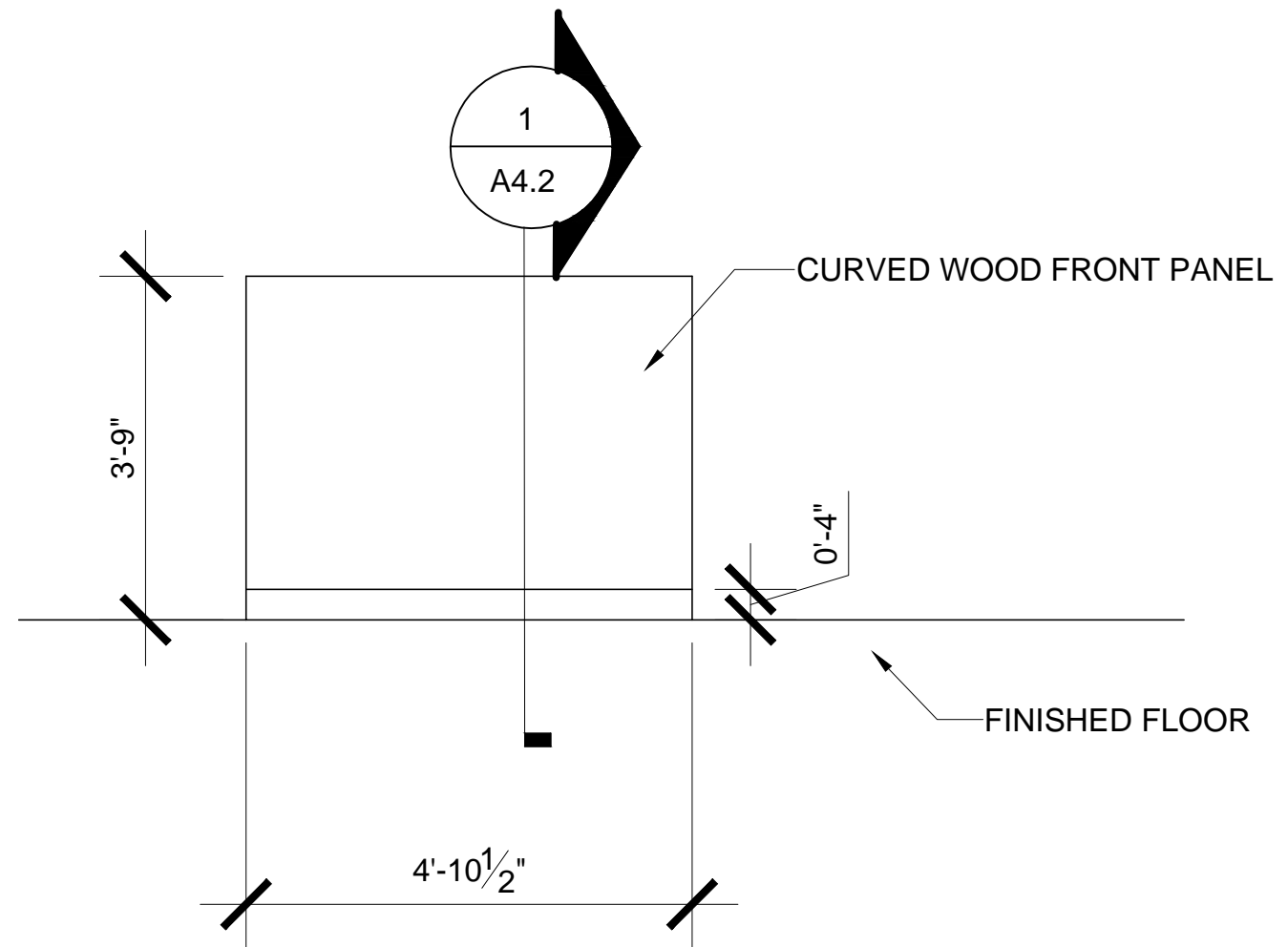
Project Name and Address

IDSN 2281 RECEPTION

Project	Sheet
Date	A3.2
Scale	SEE DWG



1 RECEPTION DESK ENLARGED PLAN
SCALE: 1/2" = 1'-0"



2 RECEPTION DESK ELEVATION VIEW
SCALE: 1/2" = 1'-0"

General Notes

No.	Revision/Issue	Date

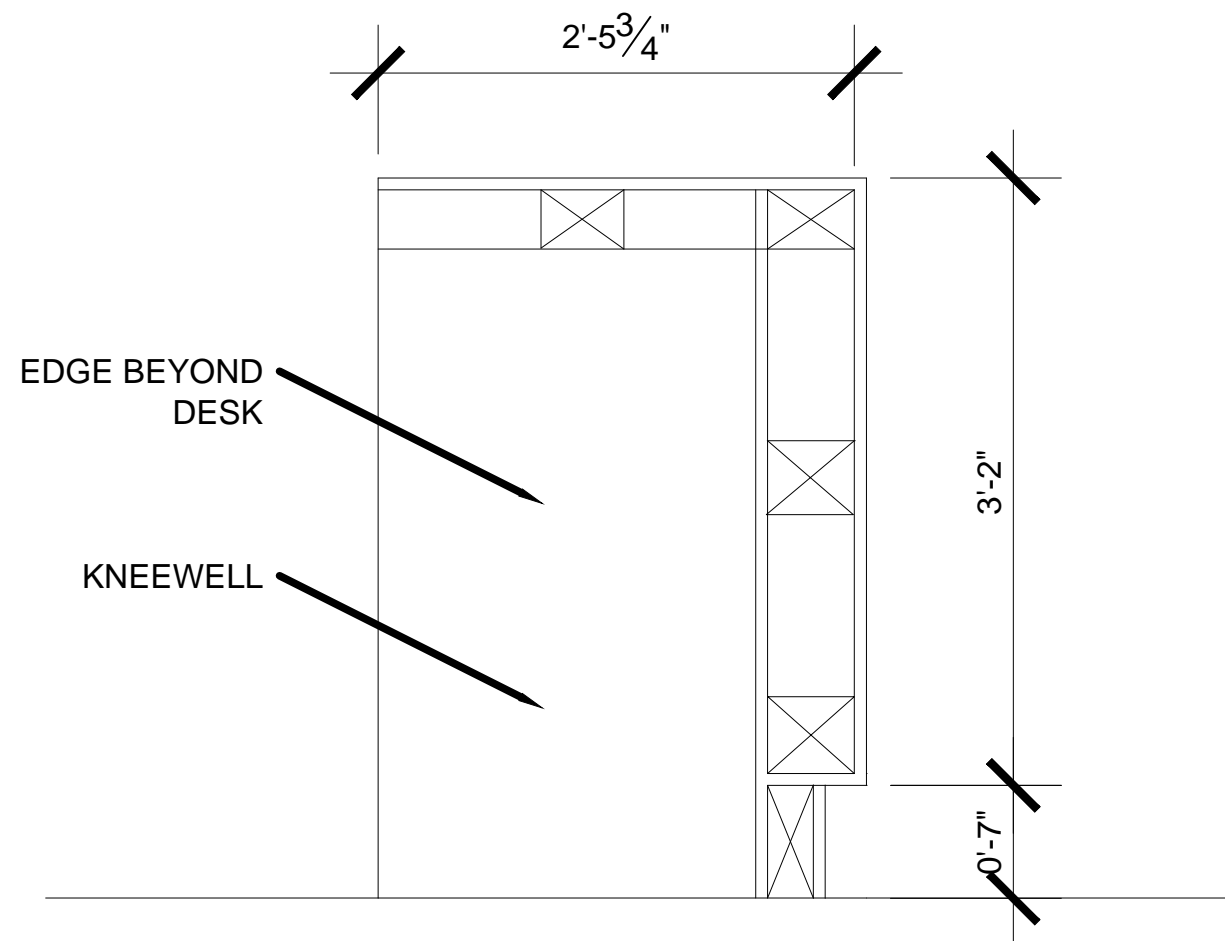
Firm Name and Address

SARA
WILLIAMSON

Project Name and Address

IDSN 2281
RECEPTION

Project	Sheet
Date	A4.1
Scale	SEE DWG



1 RECEPTION DESK SECTION VIEW
SCALE: 1" = 1'-0"

General Notes

No.	Revision/Issue	Date

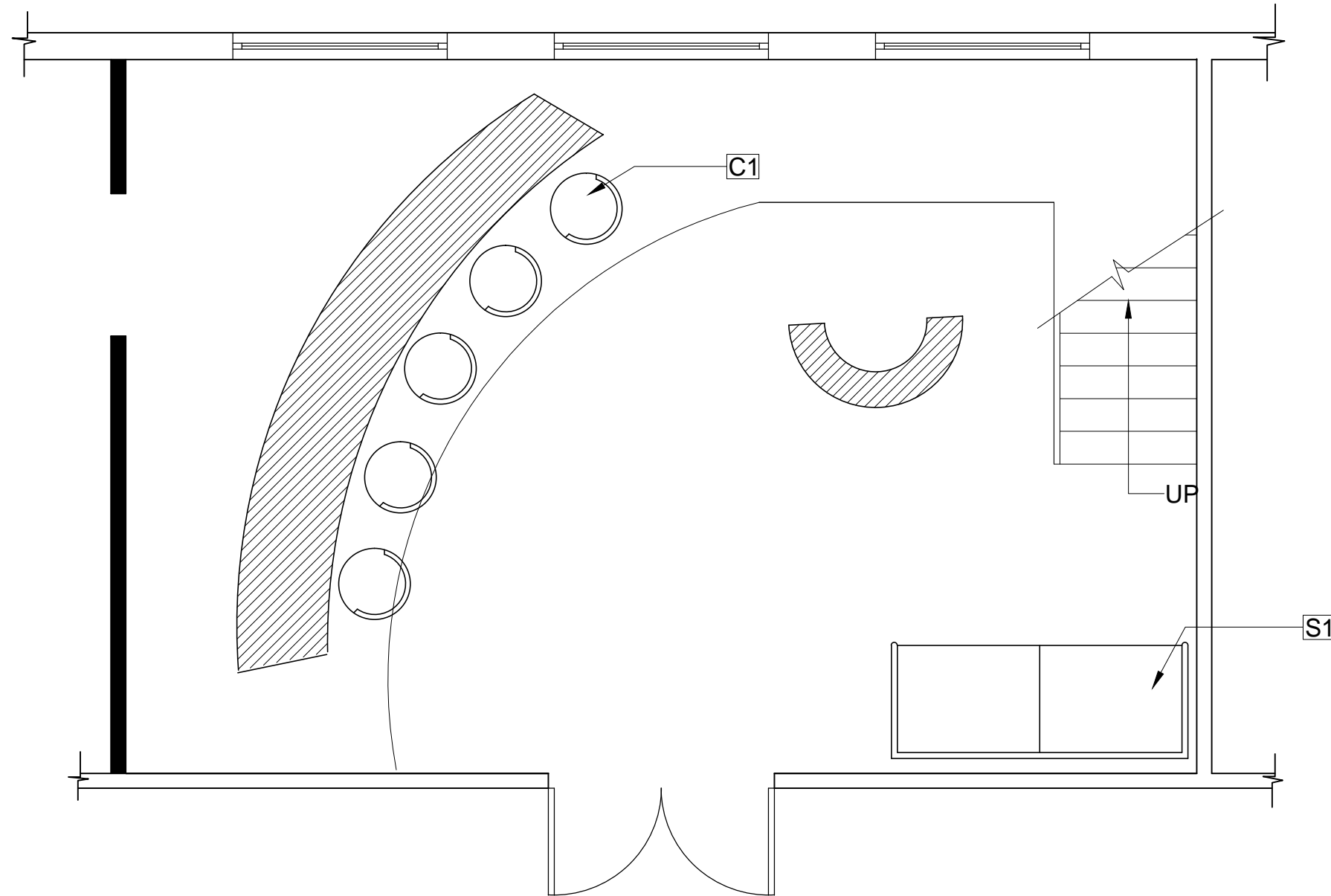
Firm Name and Address

SARA WILLIAMSON

Project Name and Address

IDSN 2281 RECEPTION

Project	Sheet
Date	A4.2
Scale	SEE DWG



1 FURNITURE PLAN FIRST FLOOR
SCALE: 1/4" = 1'-0"

General Notes

No.	Revision/Issue	Date

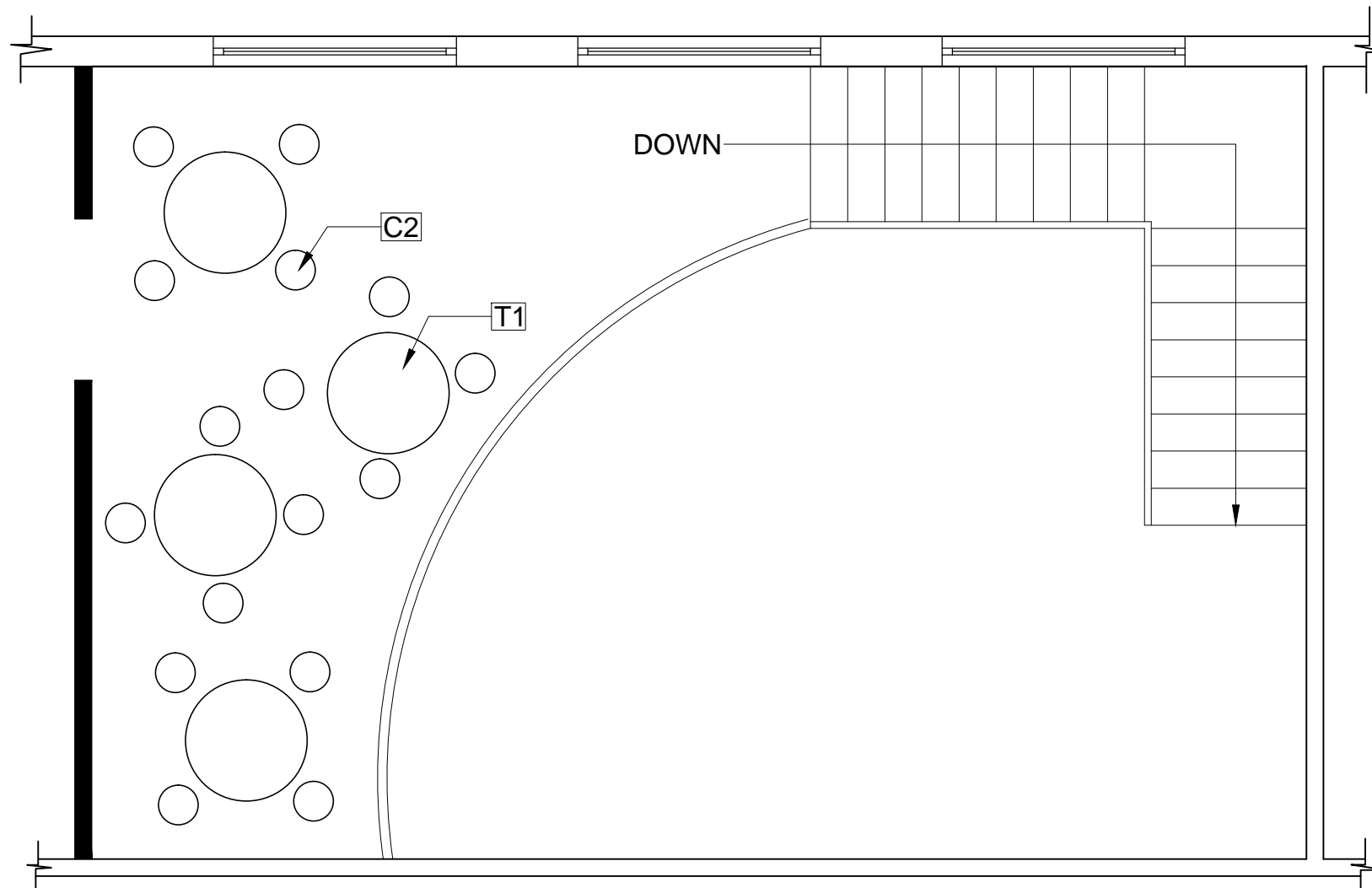
Firm Name and Address

SARA WILLIAMSON

Project Name and Address

IDSN 2281 RECEPTION

Project	Sheet
Date	F1.1
Scale	SEE DWG



1 FURNITURE PLAN SECOND FLOOR
SCALE: 1/4" = 1'-0"

General Notes

No.	Revision/Issue	Date

Firm Name and Address

SARA WILLIAMSON

Project Name and Address

IDSN 2281 RECEPTION

Project	Sheet
Date	F1.2
SEE DWG	