



PROTOTYPING & TESTING

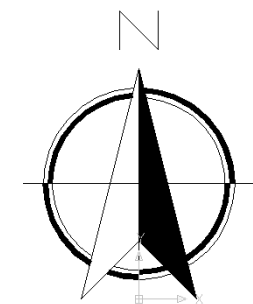
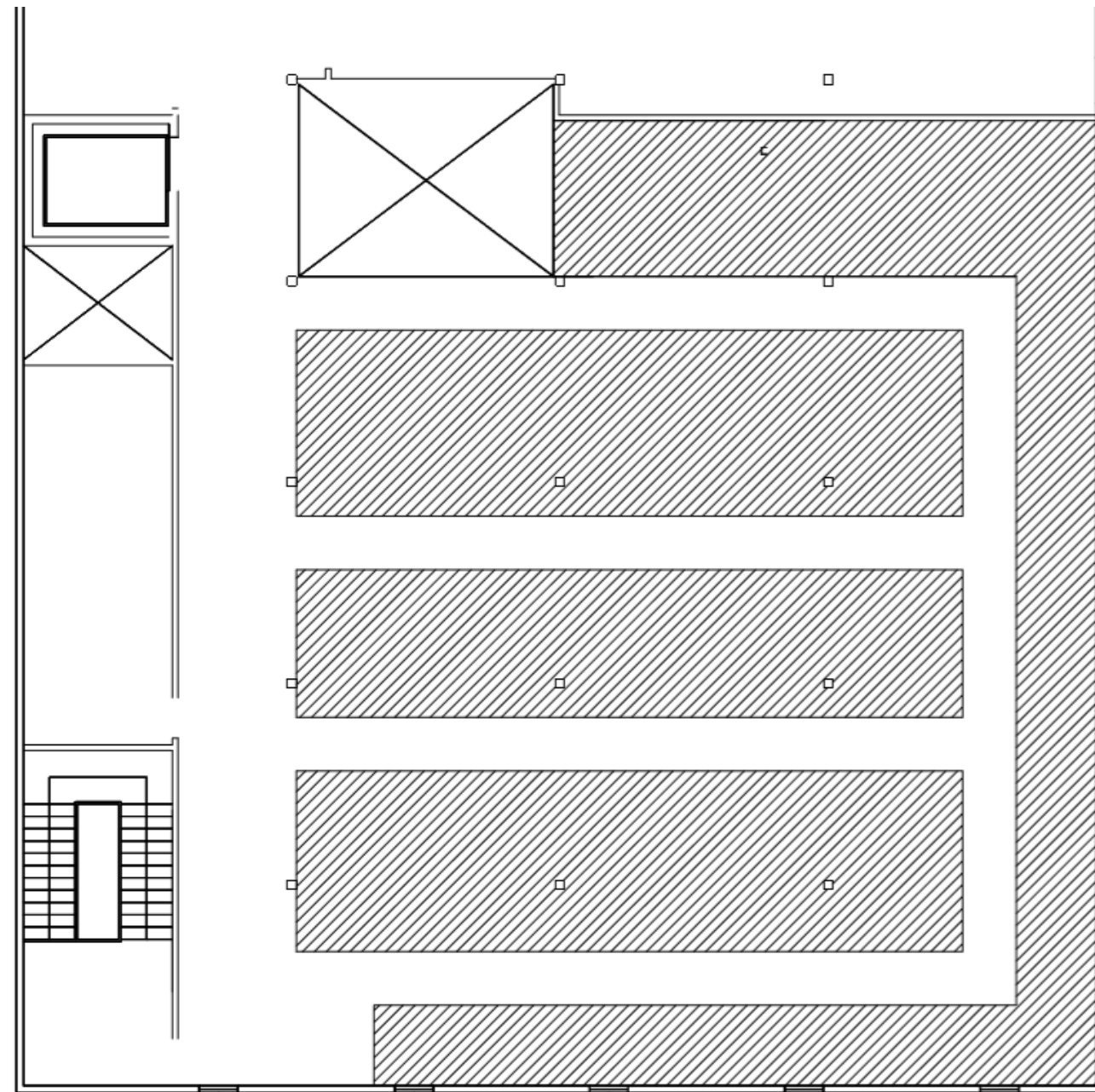


Portfolio 3

Fall Interior Design Studio 001

Hannah Heath

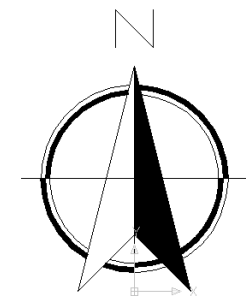
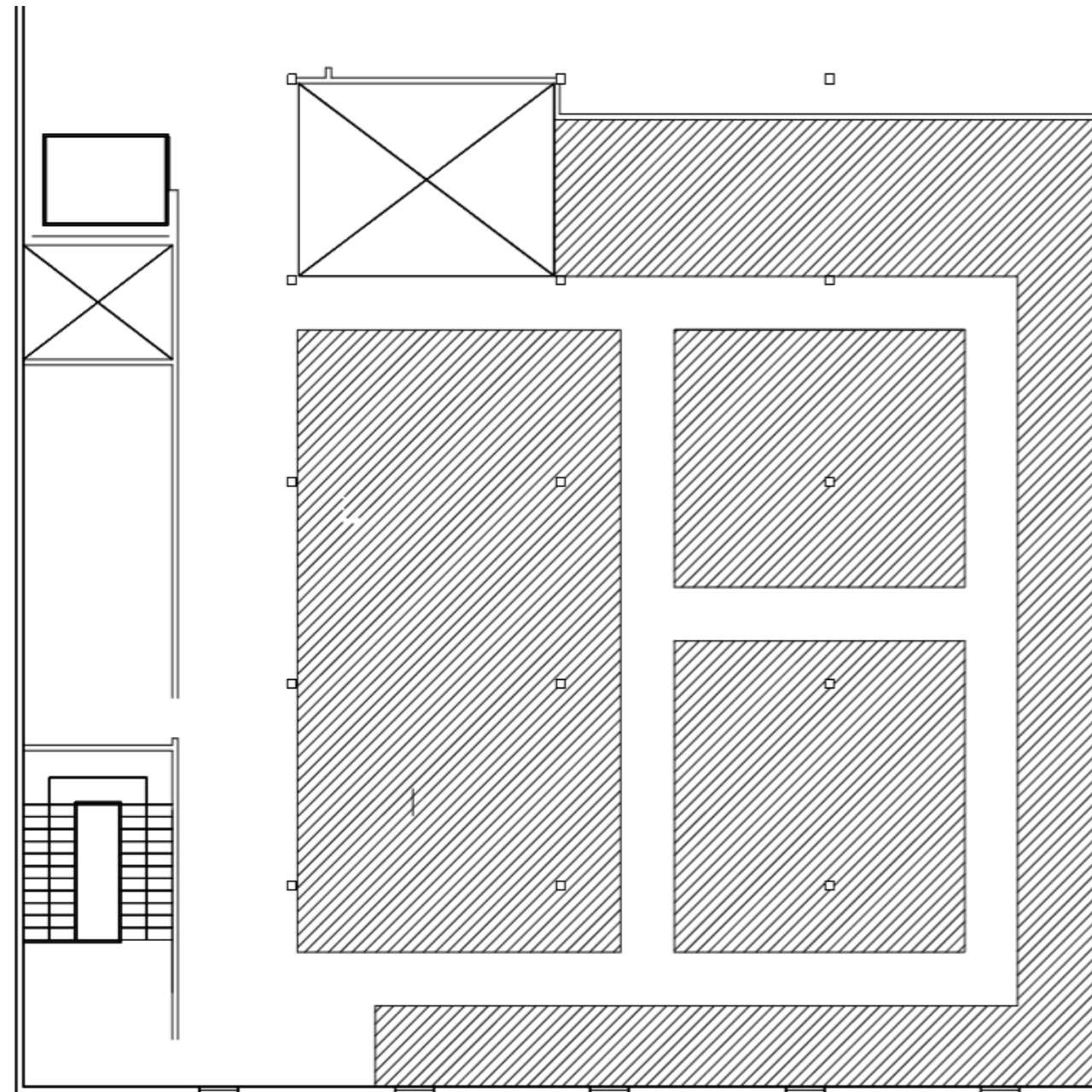
AutoCAD Preliminary Plan Sketches



1/8" = 1'0"

Circulation Layouts

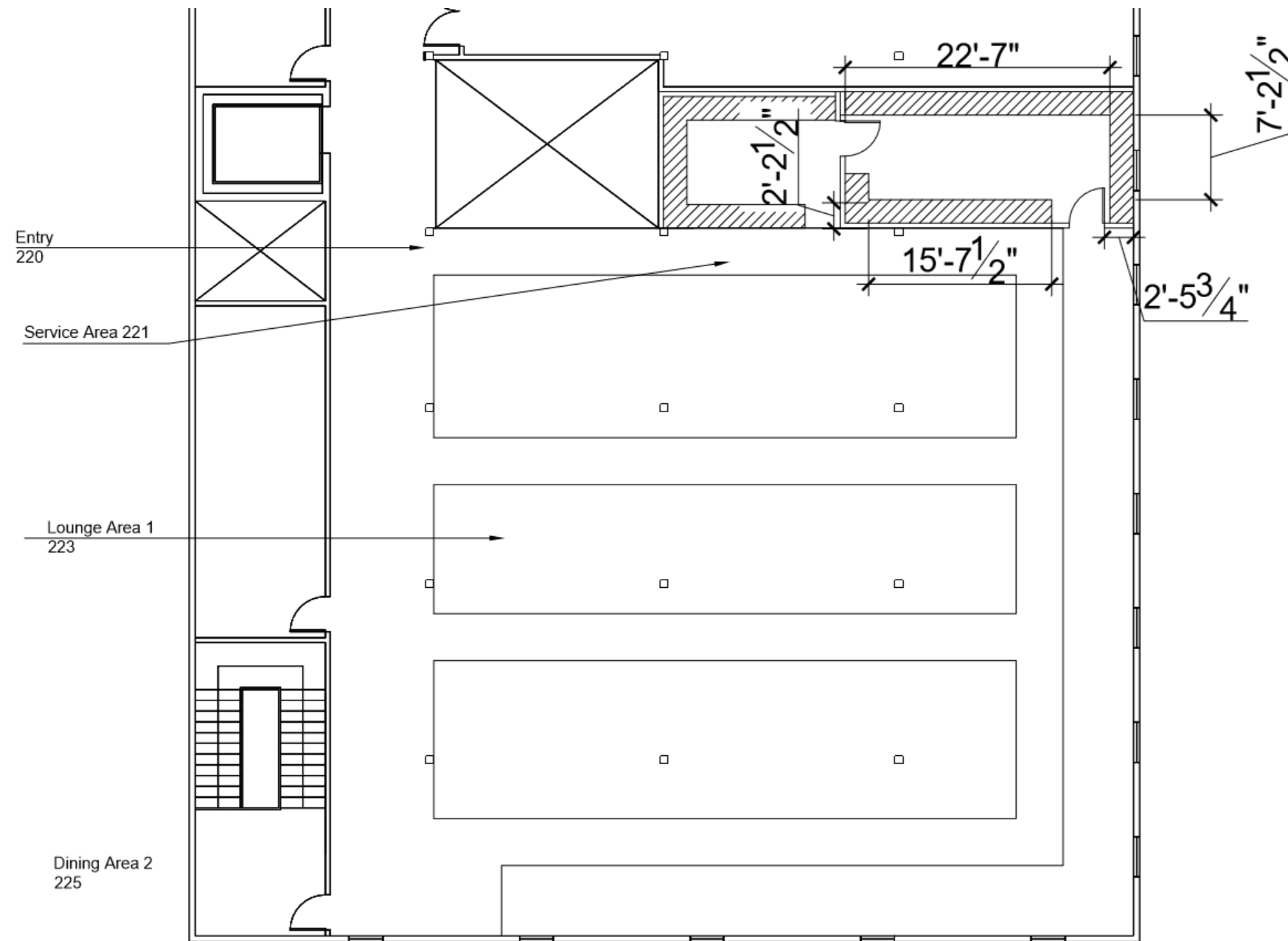
AutoCAD Preliminary Plan Sketches



1/8" = 1'0"

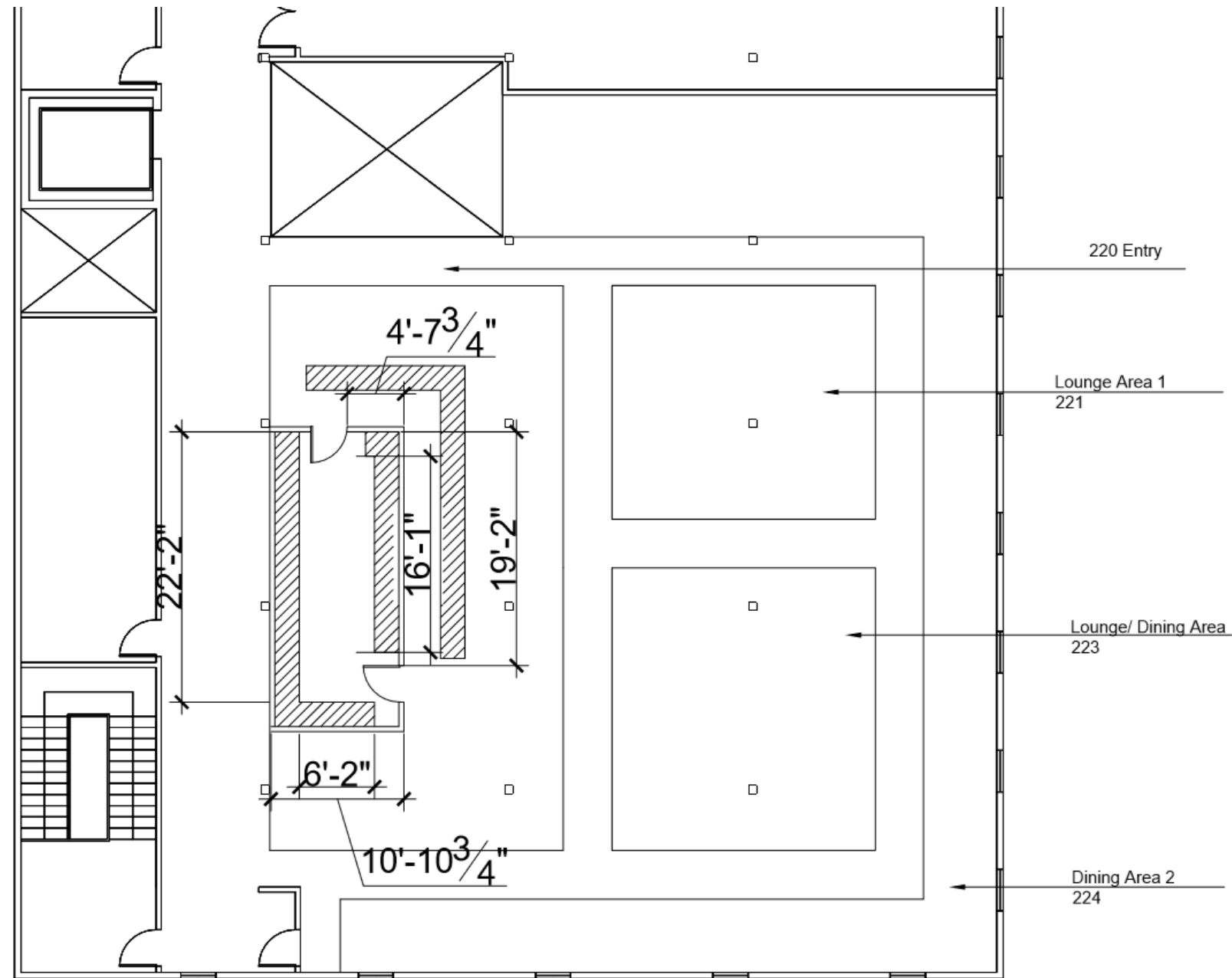
Circulation Layouts

AutoCAD Preliminary Sketches



Prep Area/Service Counter Location 1

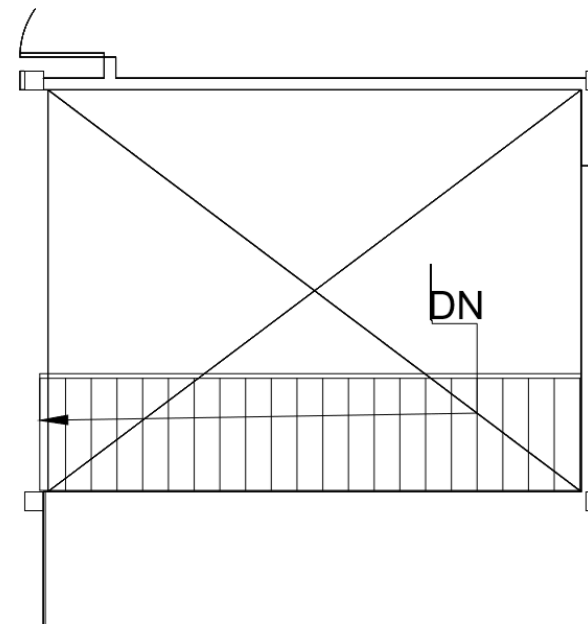
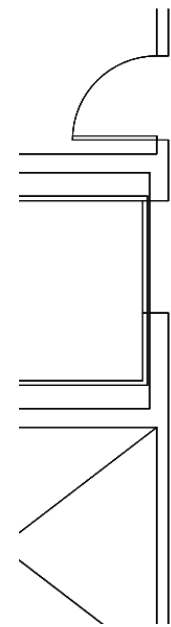
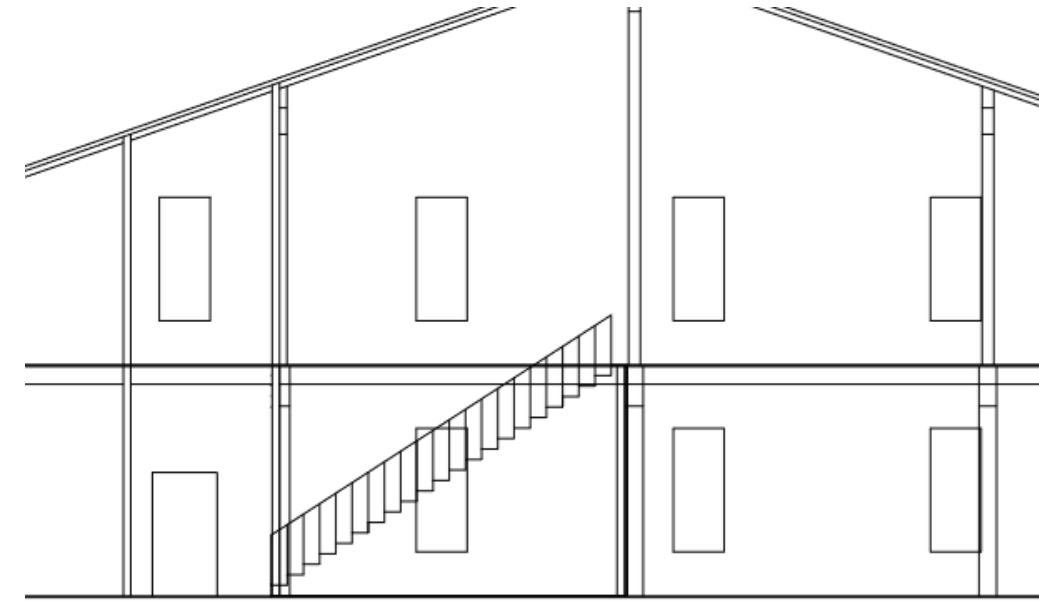
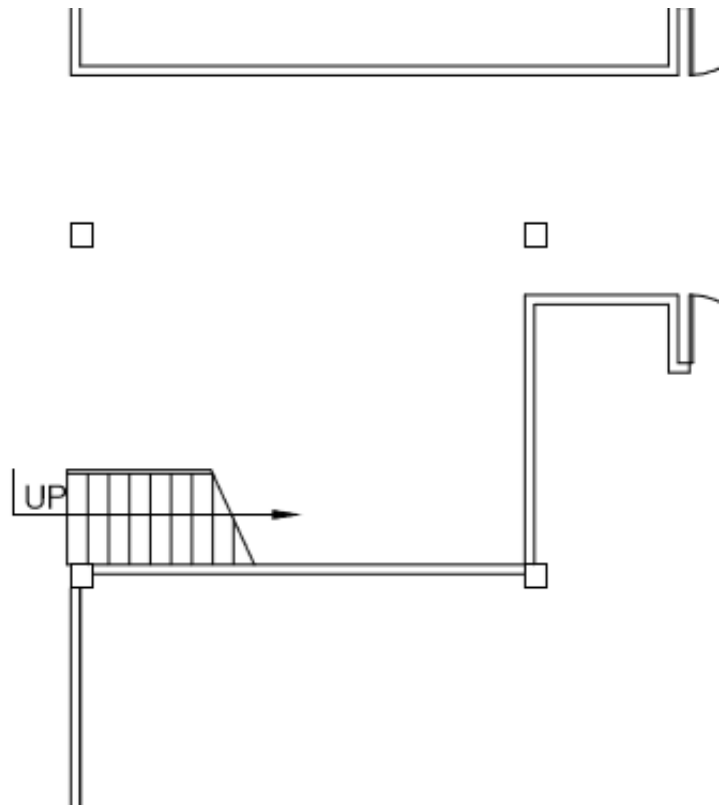
AutoCAD Preliminary Plan Sketches



1/8" = 1'0"

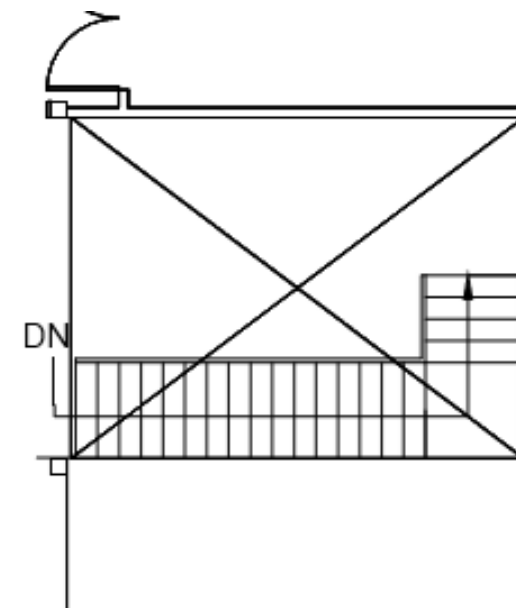
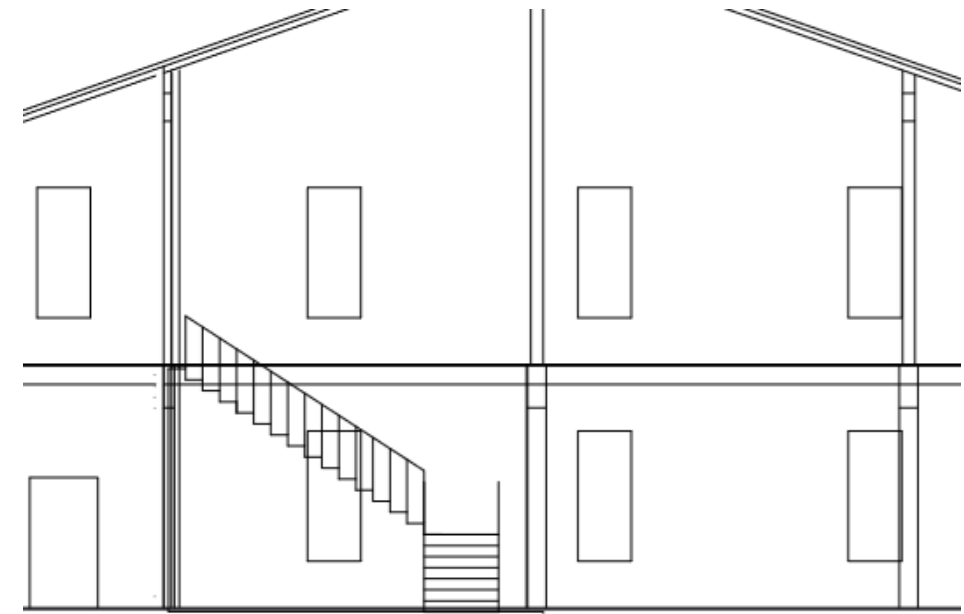
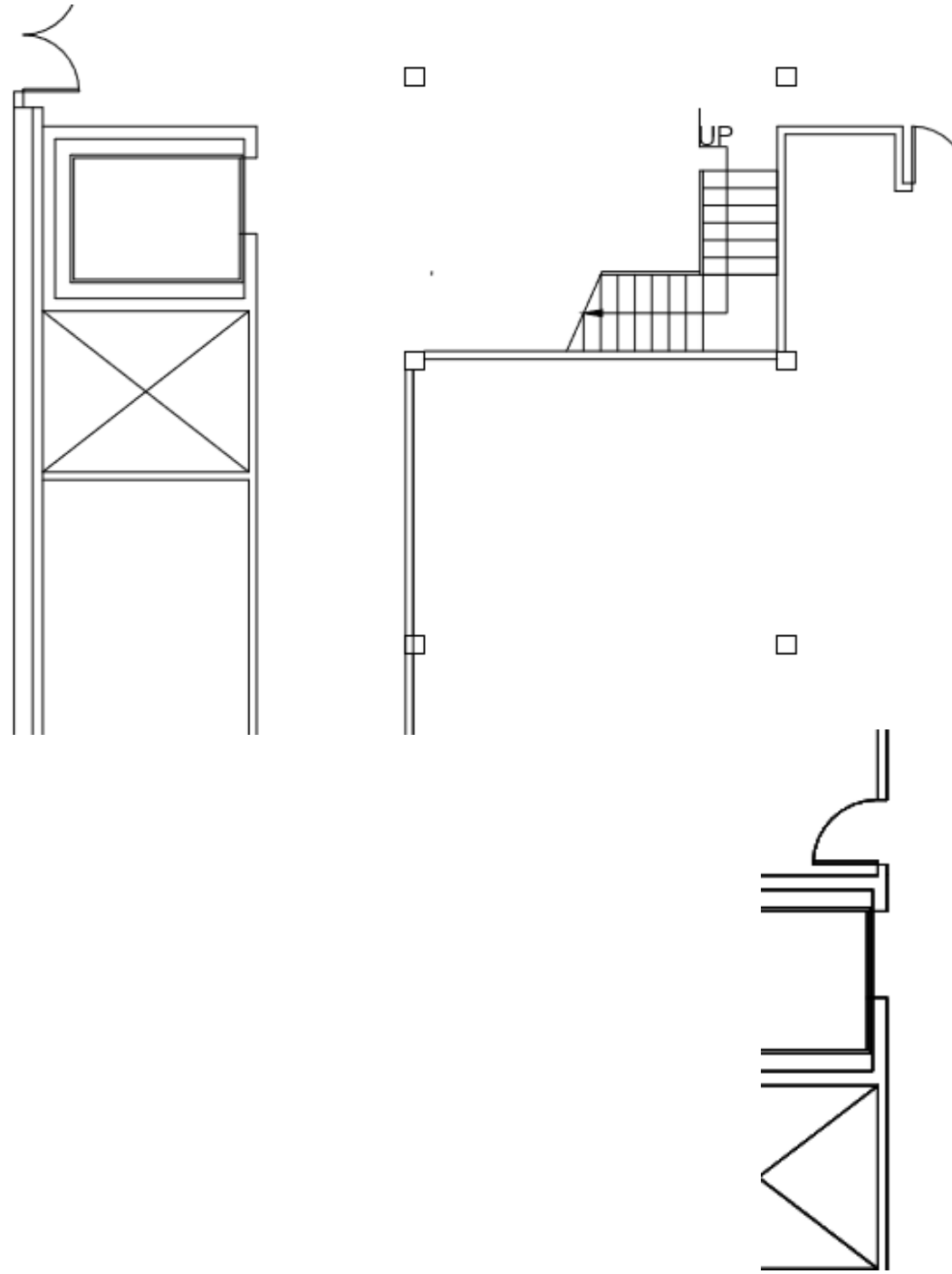
Prep Area/Service Counter Location 2

Stair Design: AutoCAD Plans and Sections



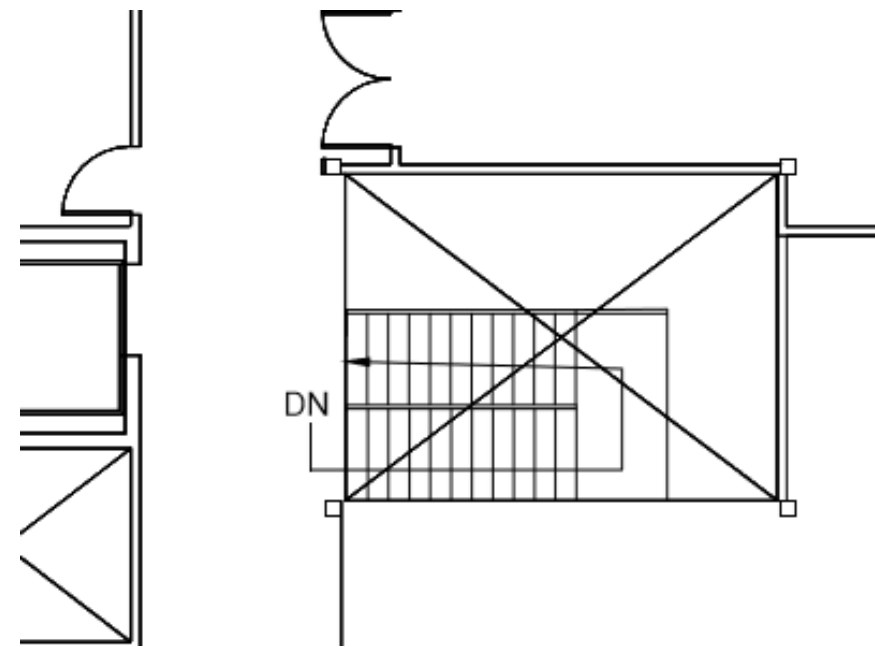
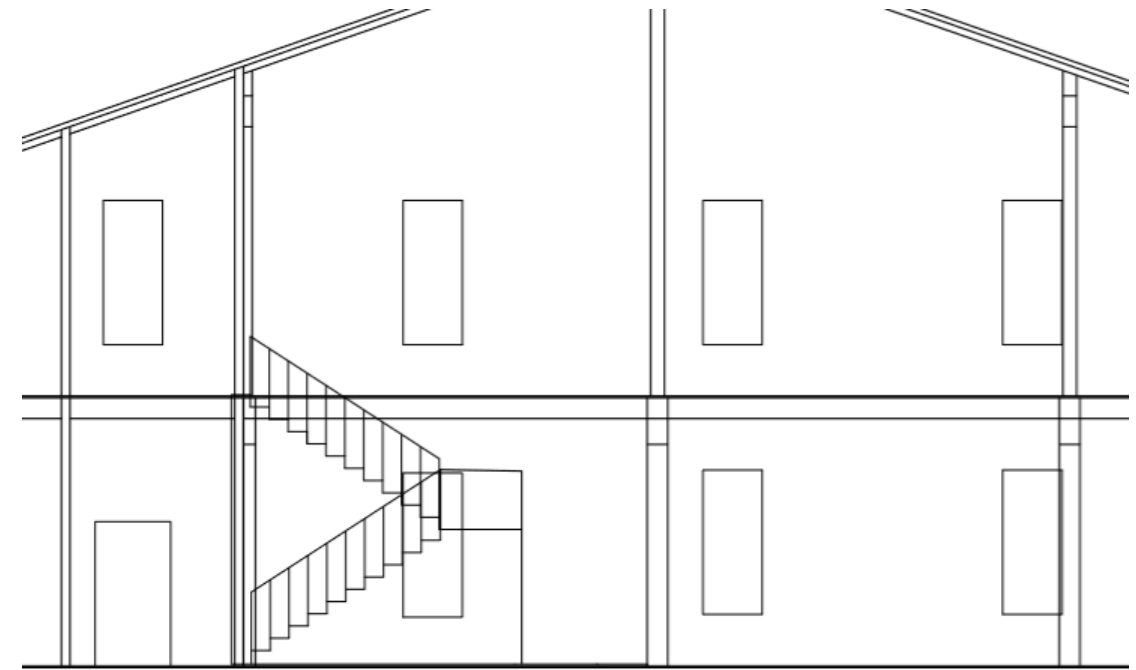
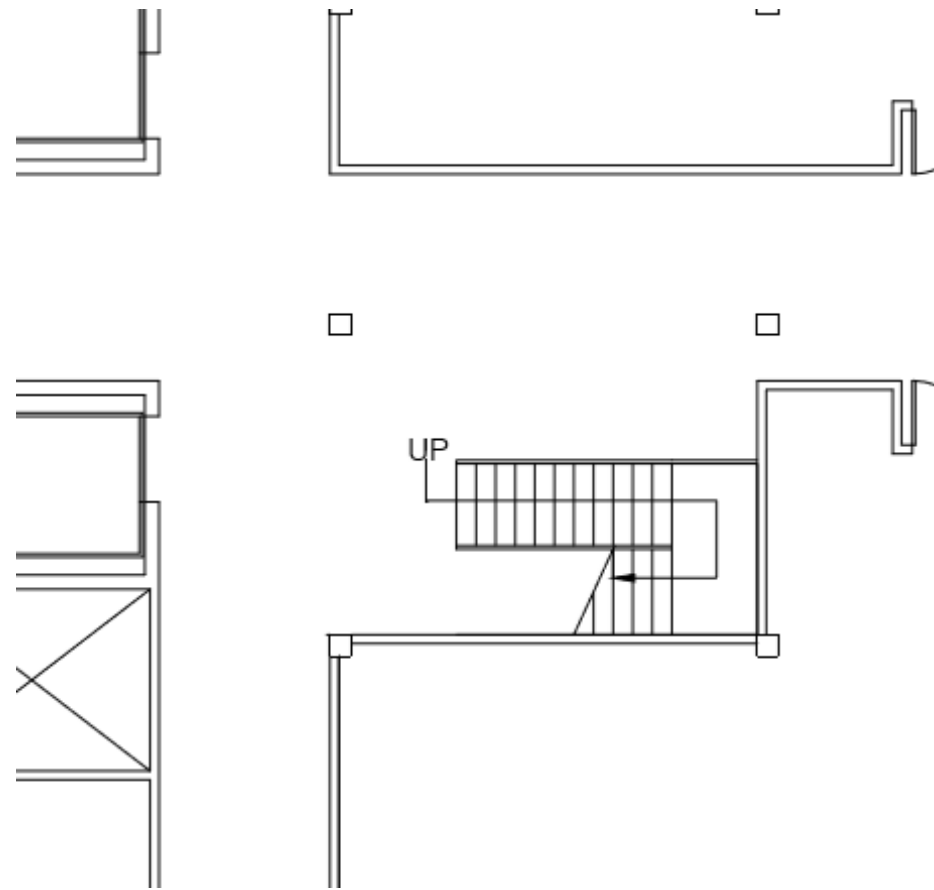
1/8" = 1'0"
Straight -Run Stair

Stair Design: AutoCAD Plans and Sections



$1/8'' = 1'0''$
L-Shaped Stair

Stair Design: AutoCAD Plans and Sections



$1/8'' = 1'0''$
Scissor Stair

Stair Design

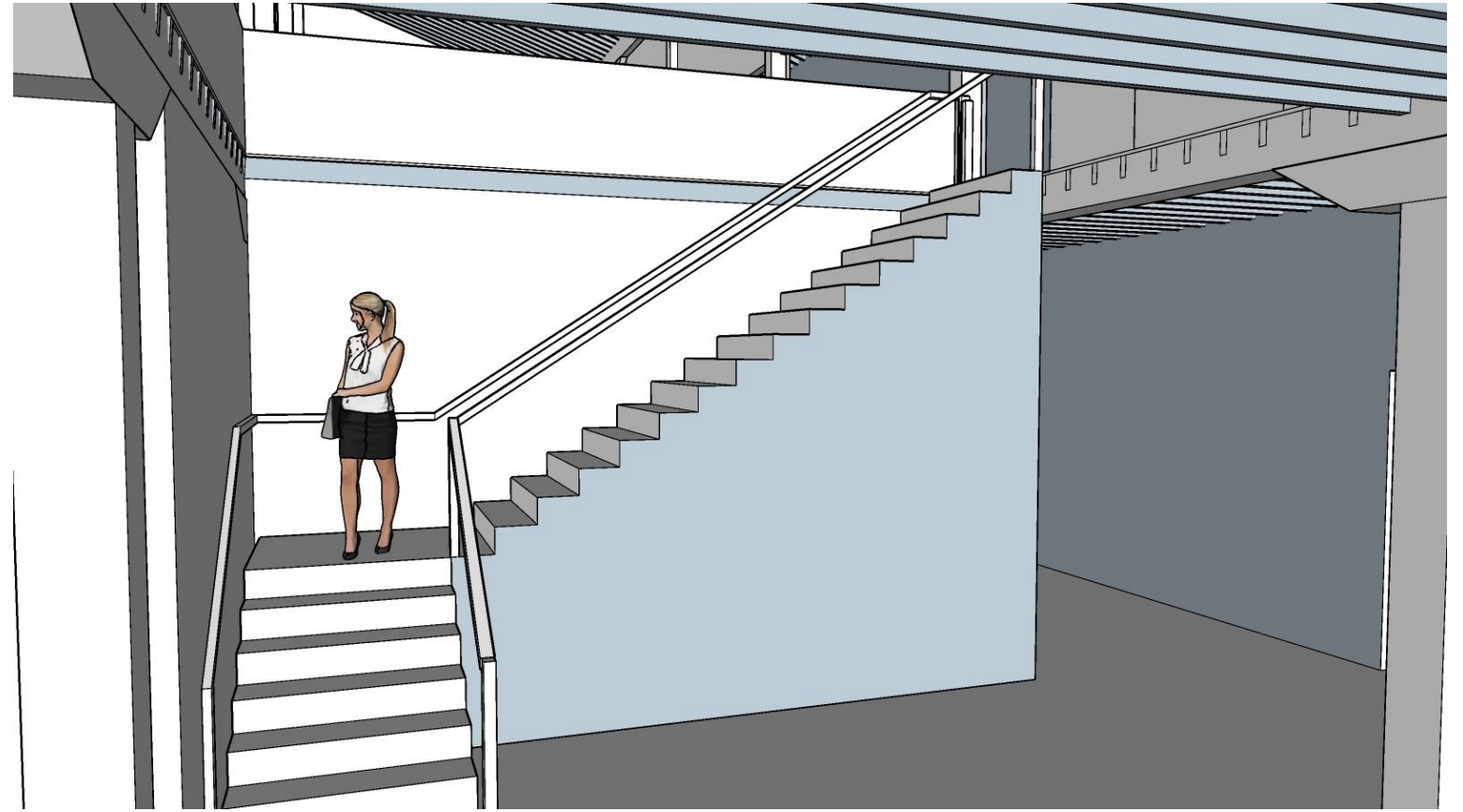
SketchUp Perspectives



Straight-Run Stair

Stair Design

SketchUp Perspectives



L-Shaped Stair

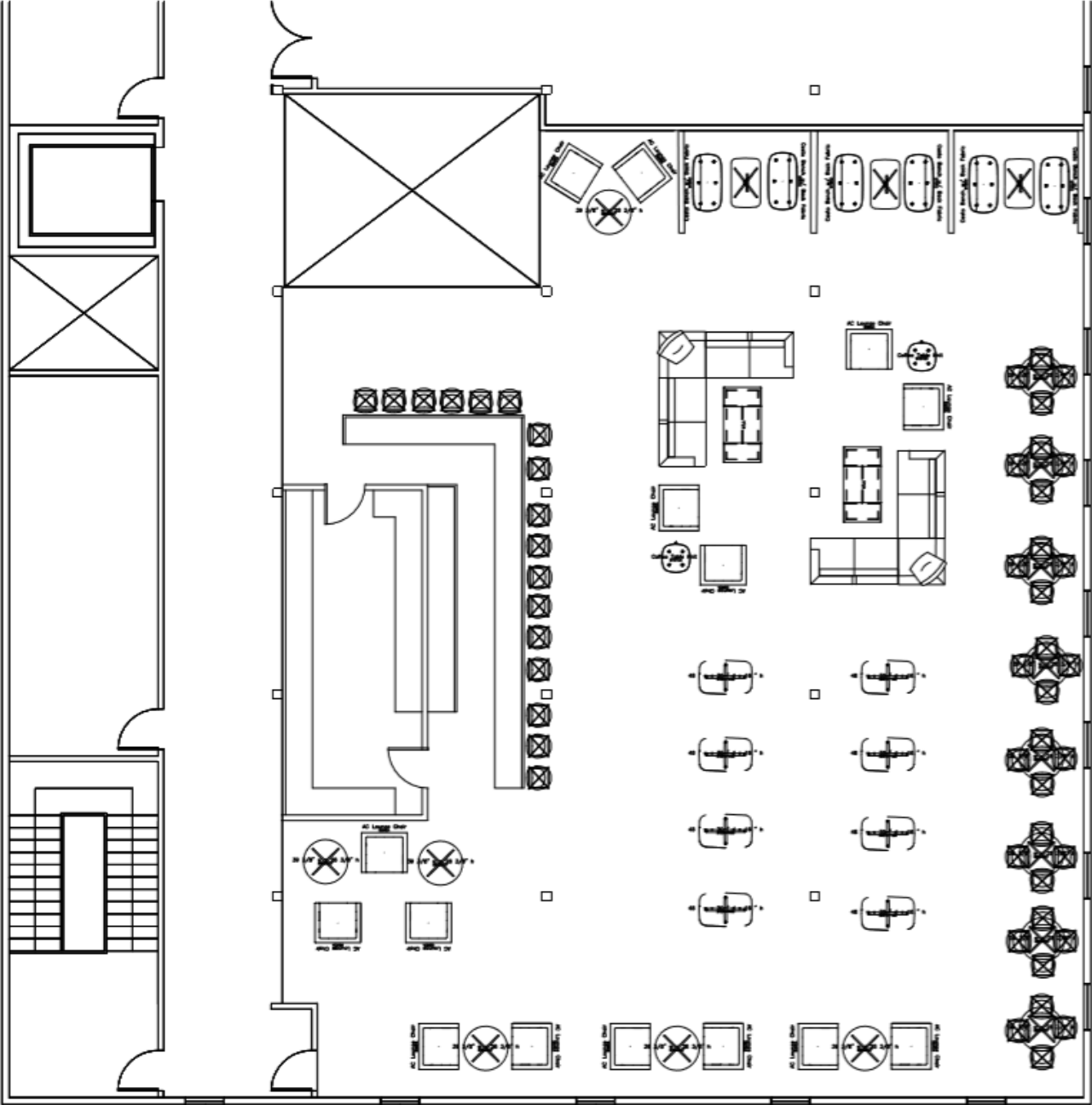
Stair Design

SketchUp Perspectives



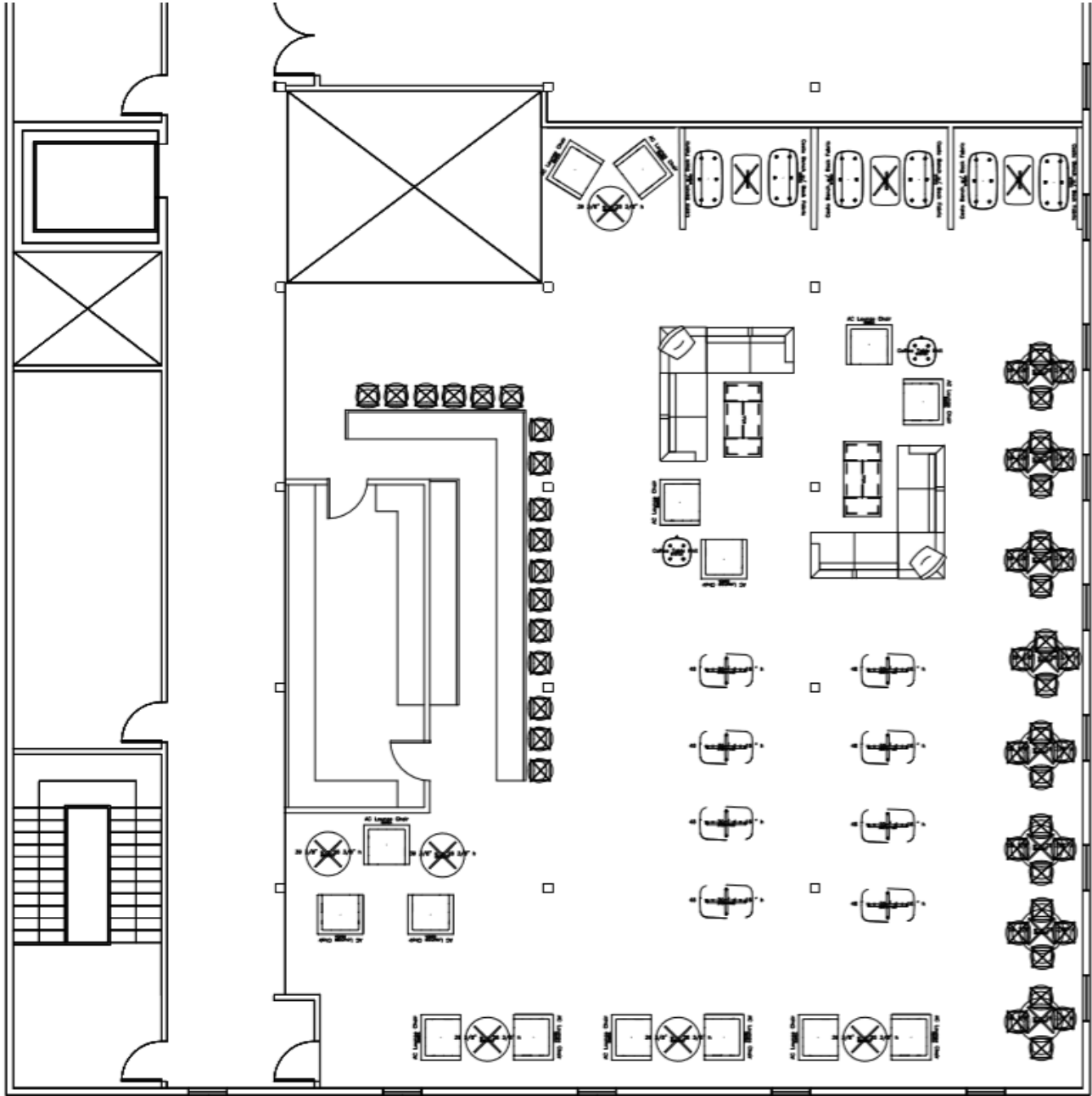
Scissor Stair

AutoCAD Furniture Plan 1



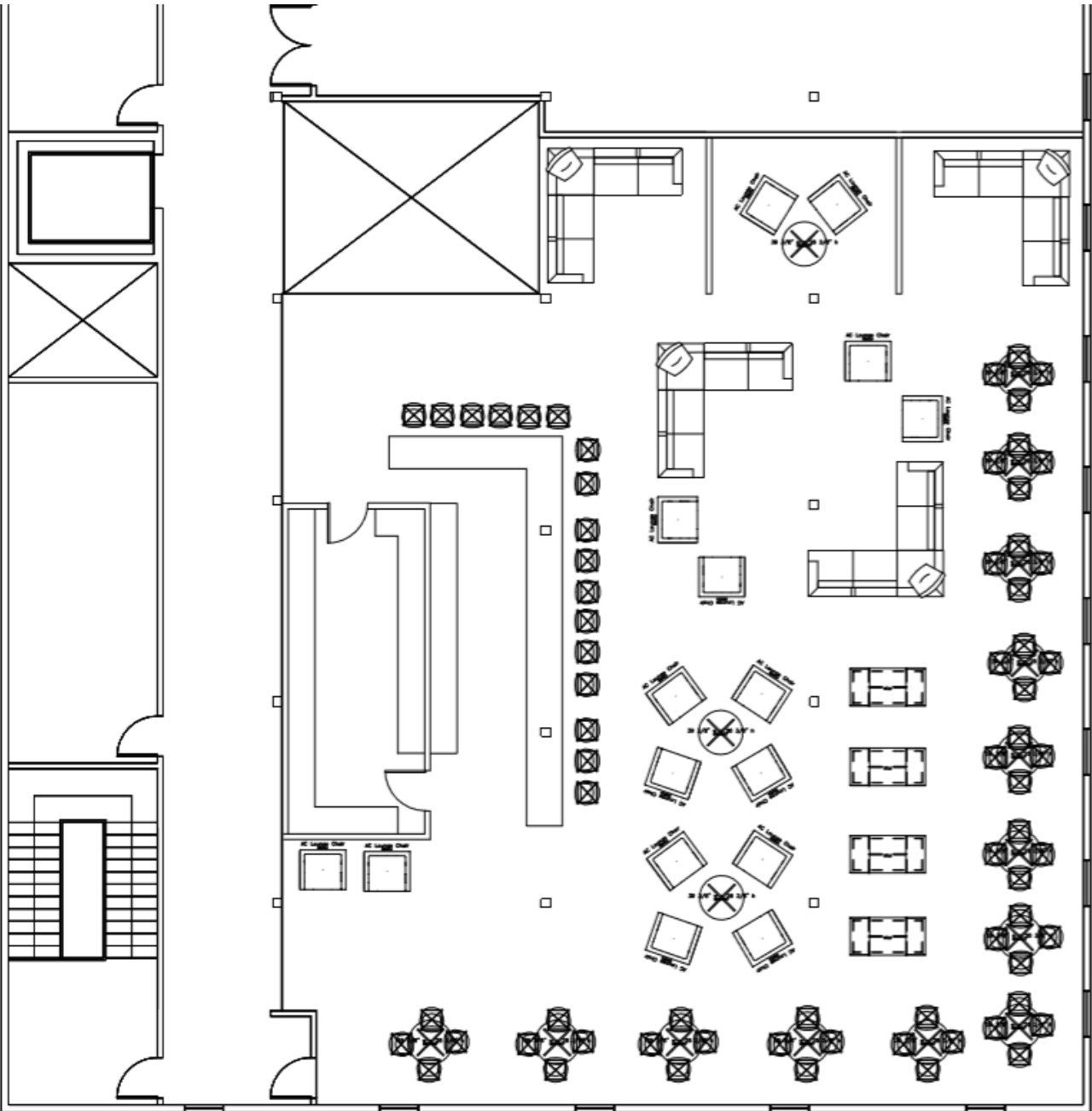
1/8"-1'0"
126 Seats

AutoCAD Furniture Plan 2



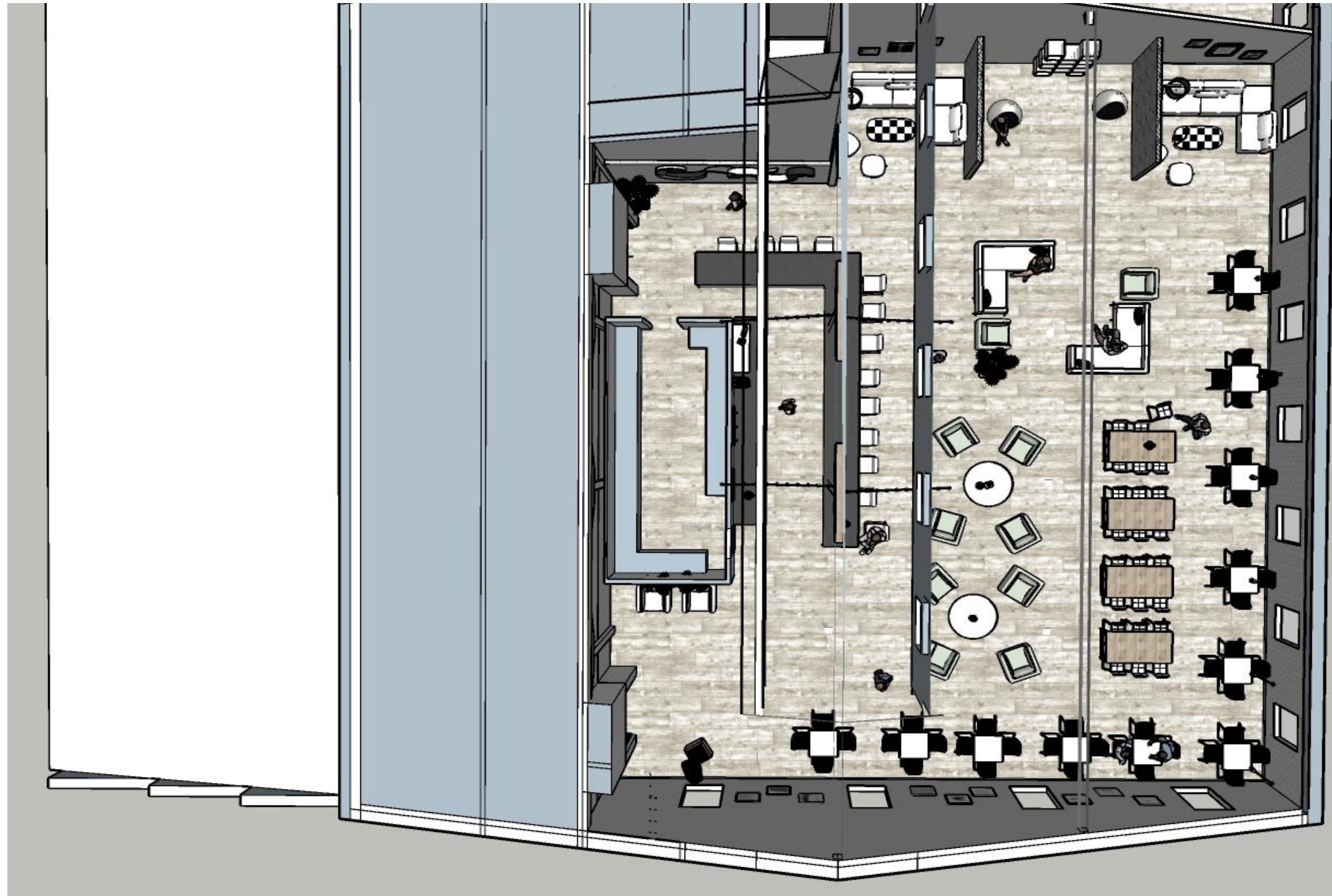
1/8" = 1'0"
106 Seats

AutoCAD Furniture Plan 3



1/8" = 1'0"
109 Seats

SketchUp Model



Final Furniture Layout- 109 Seats

SketchUp Walkthrough

<https://vimeo.com/300310958>