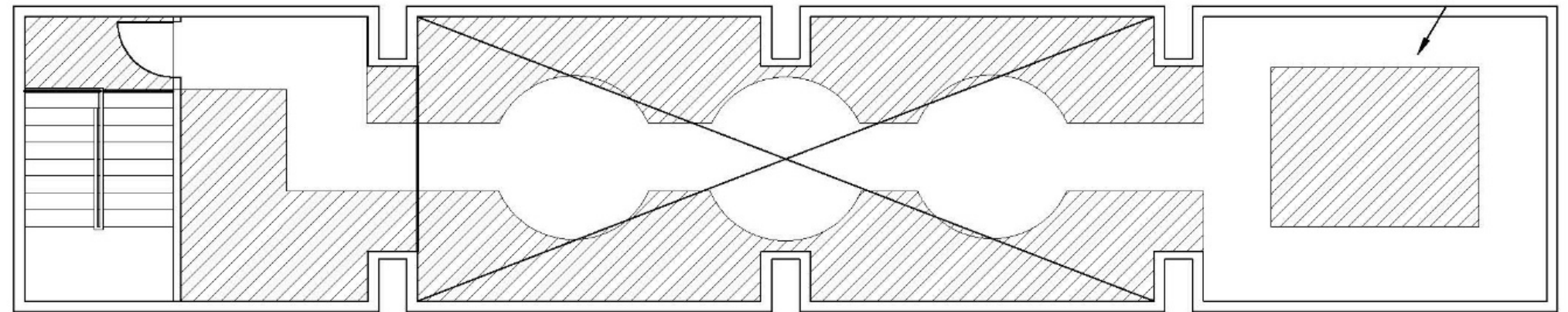
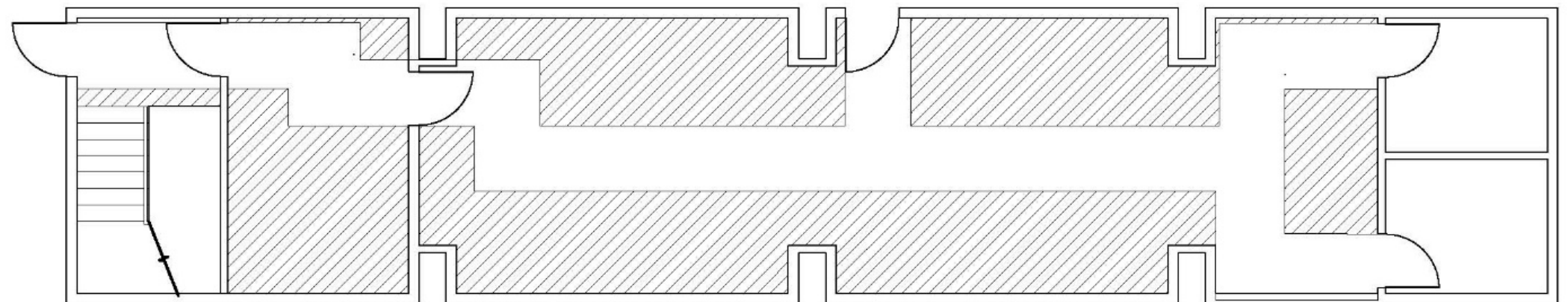


Allison Casper  
Portfolio 2  
IDSN 2102  
Fall Semester 2020

**Assignment 4A-  
Circulation Plan- A**



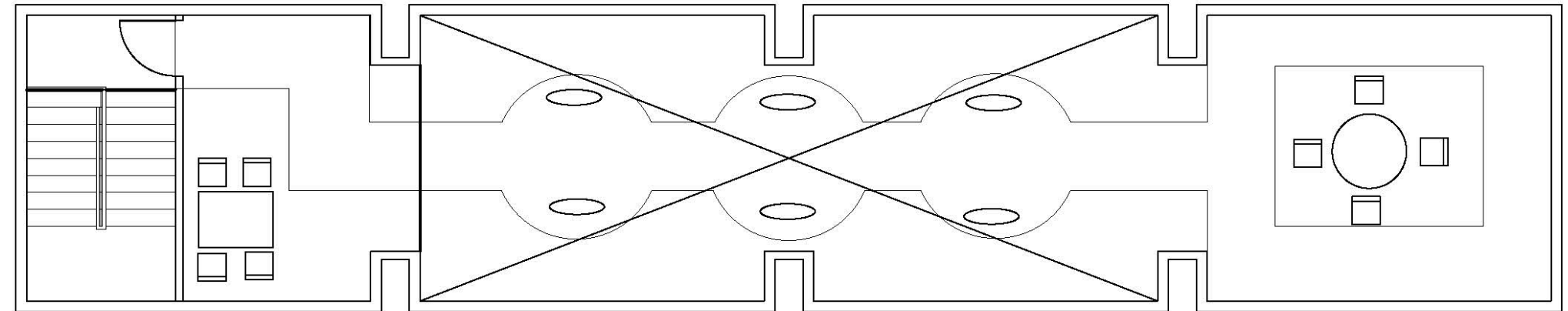
Second Floor Plan



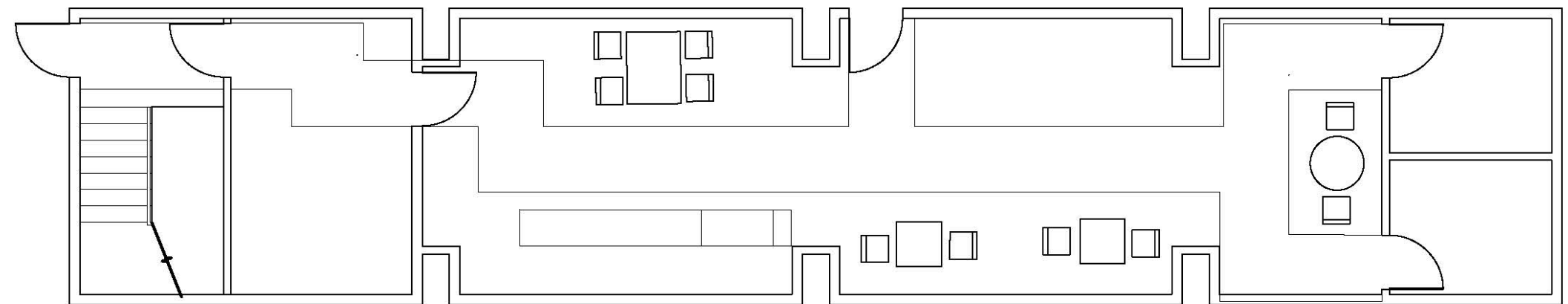
First Floor Plan

**Allison Casper**  
IDSN 2102 F20

**Assignment 4B-**  
**Circulation Plan-B**



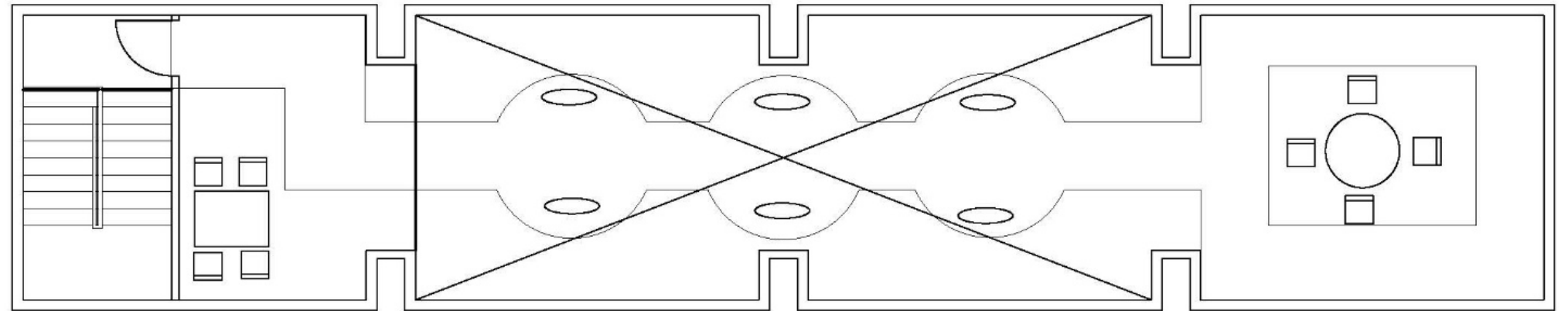
Second Floor Plan



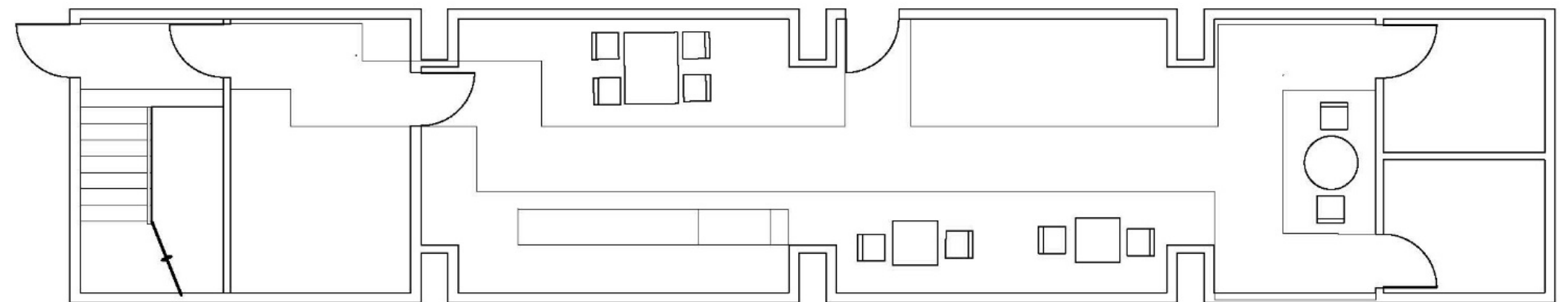
First Floor Plan

**Allison Casper**  
**IDSN 2102 F20**

**Assignment 6 A-  
Furniture Plans**



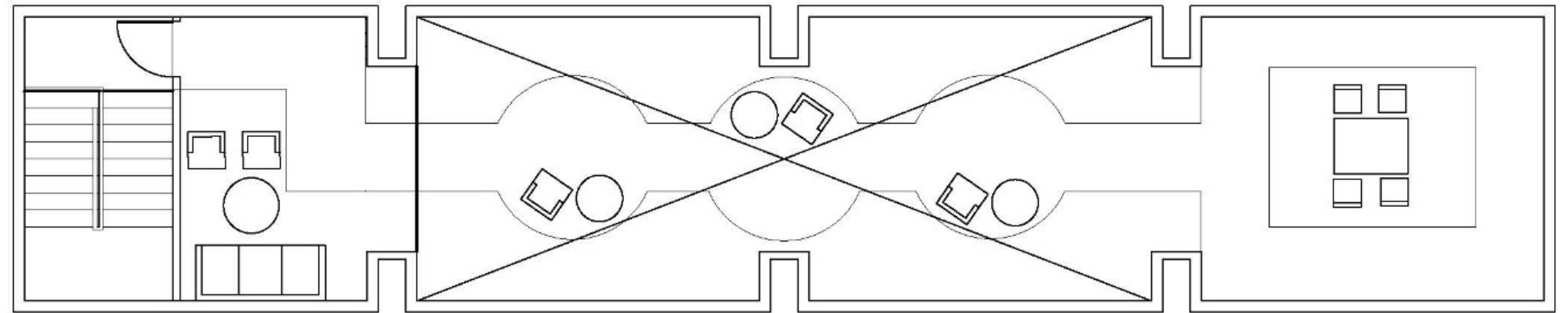
Second Floor Plan



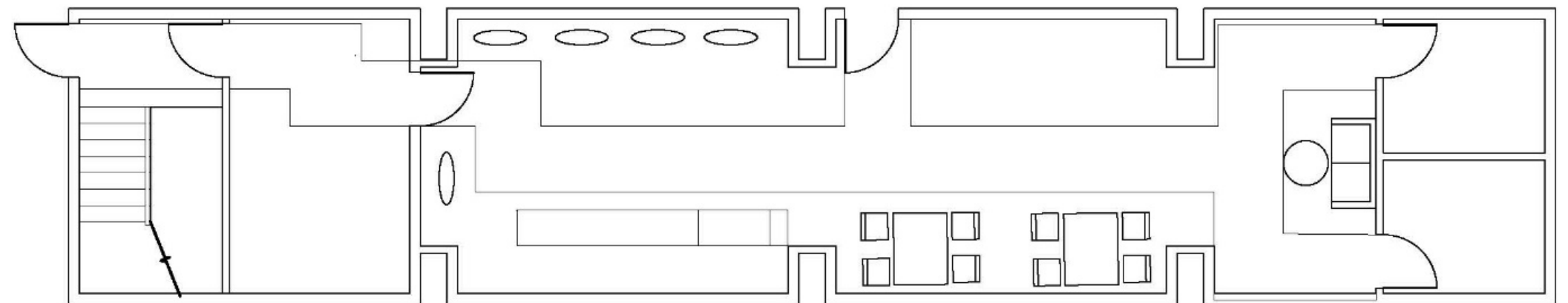
First Floor Plan

**Allison Casper**  
IDSN 2102 F20

**Assignment B-  
Furniture Plans**



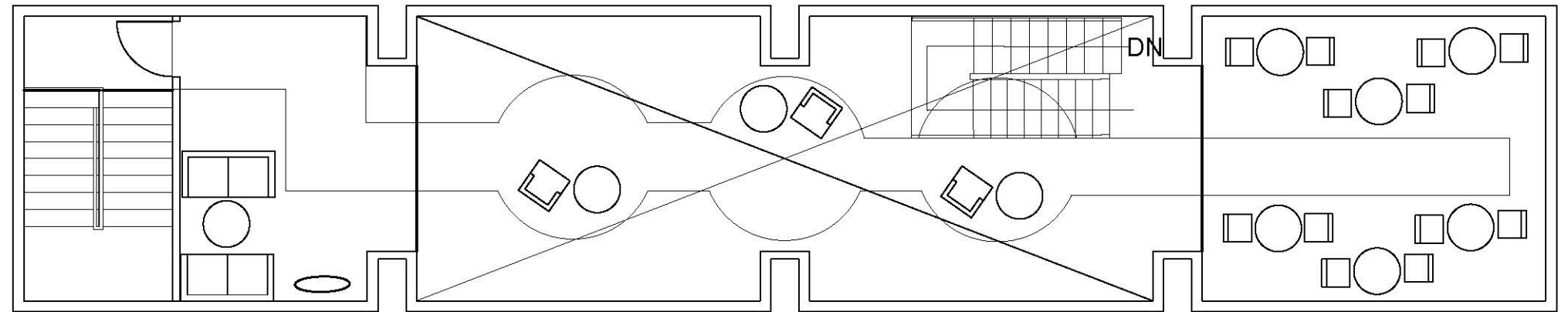
Second Floor Plan



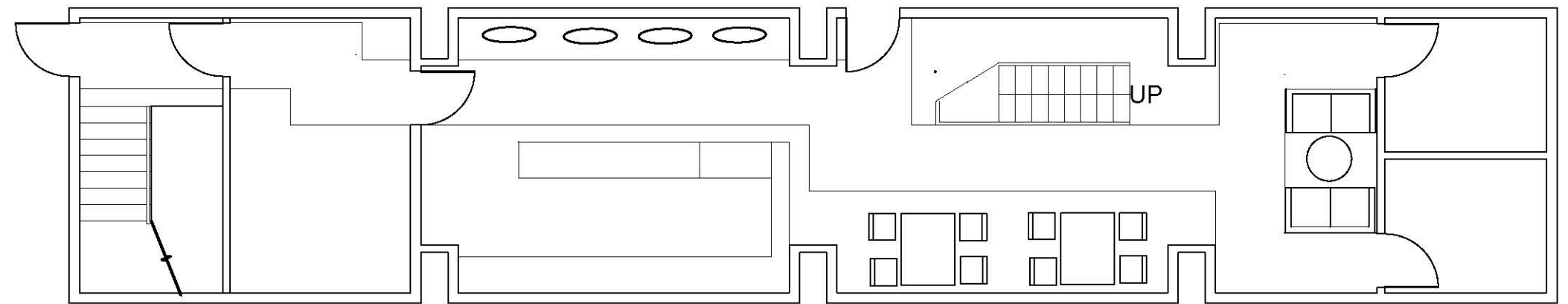
First Floor Plan

**Allison Casper**  
IDSN 2102 F20

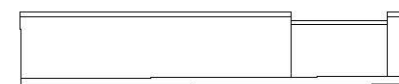
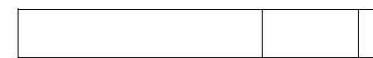
**Assignment 6C-  
Furniture Plans**



Second Floor Plan

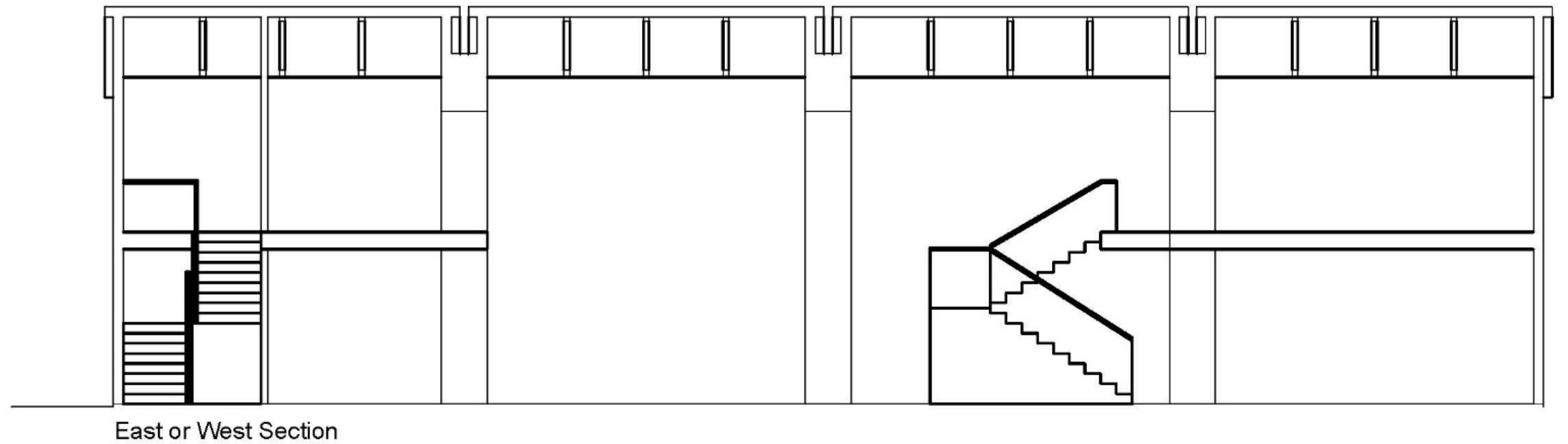


First Floor Plan



**Allison Casper**  
IDSN 2102 F20

**Assignment 7-  
Stair Elevation**



**Allison Casper**  
IDSN 2102 F20