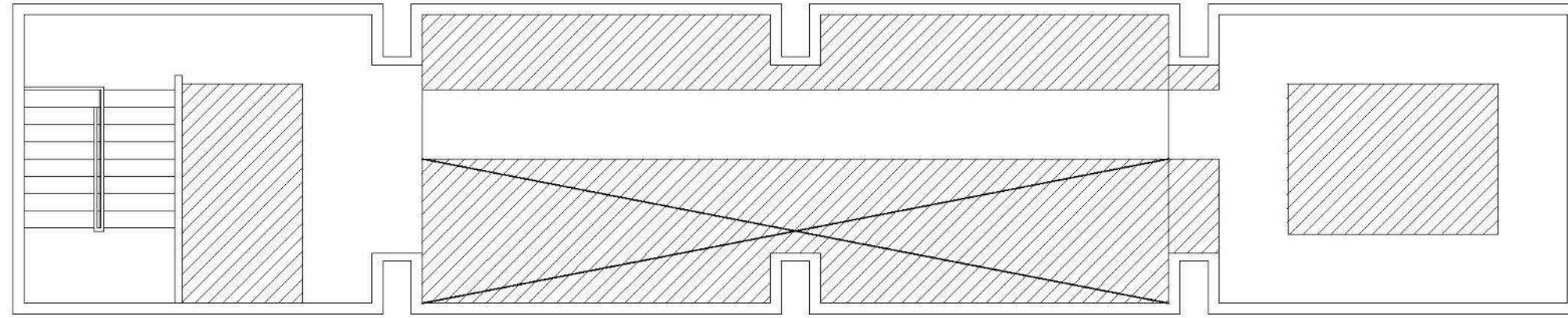
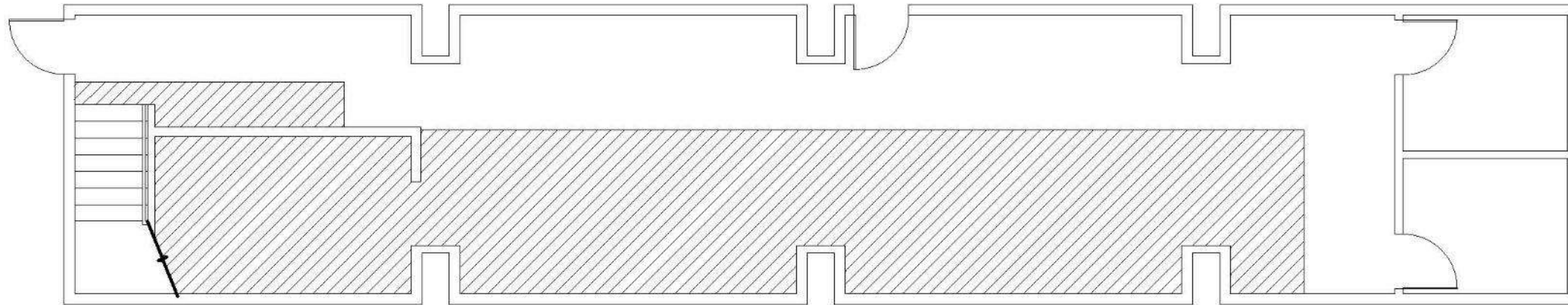


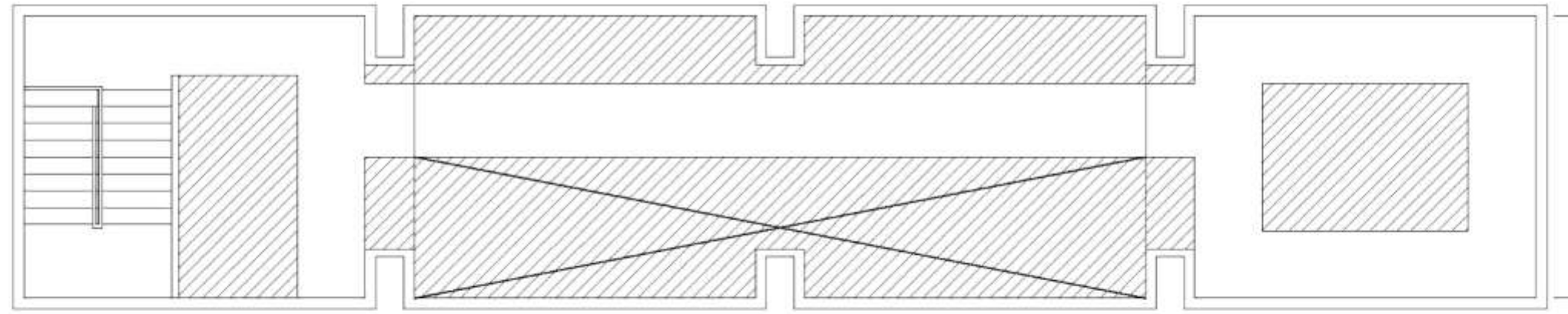
# Assignment 4A - Circulation Plan A



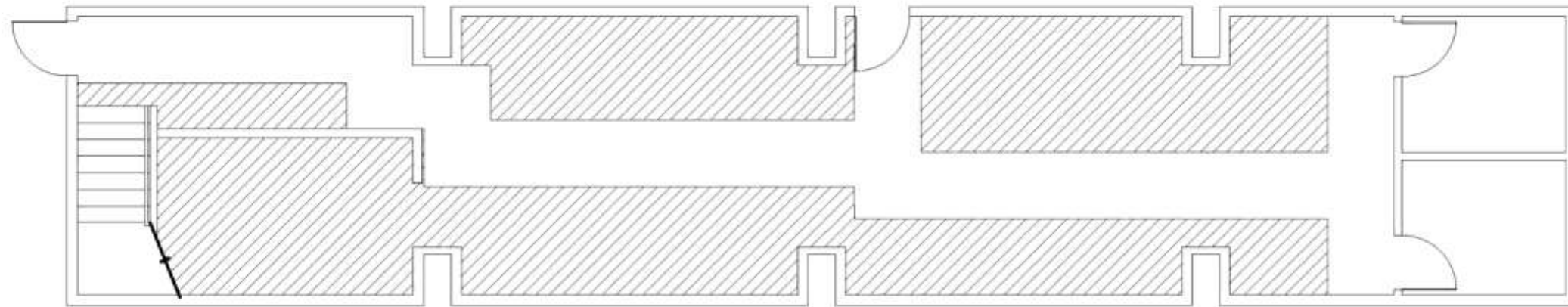
Second Floor Plan



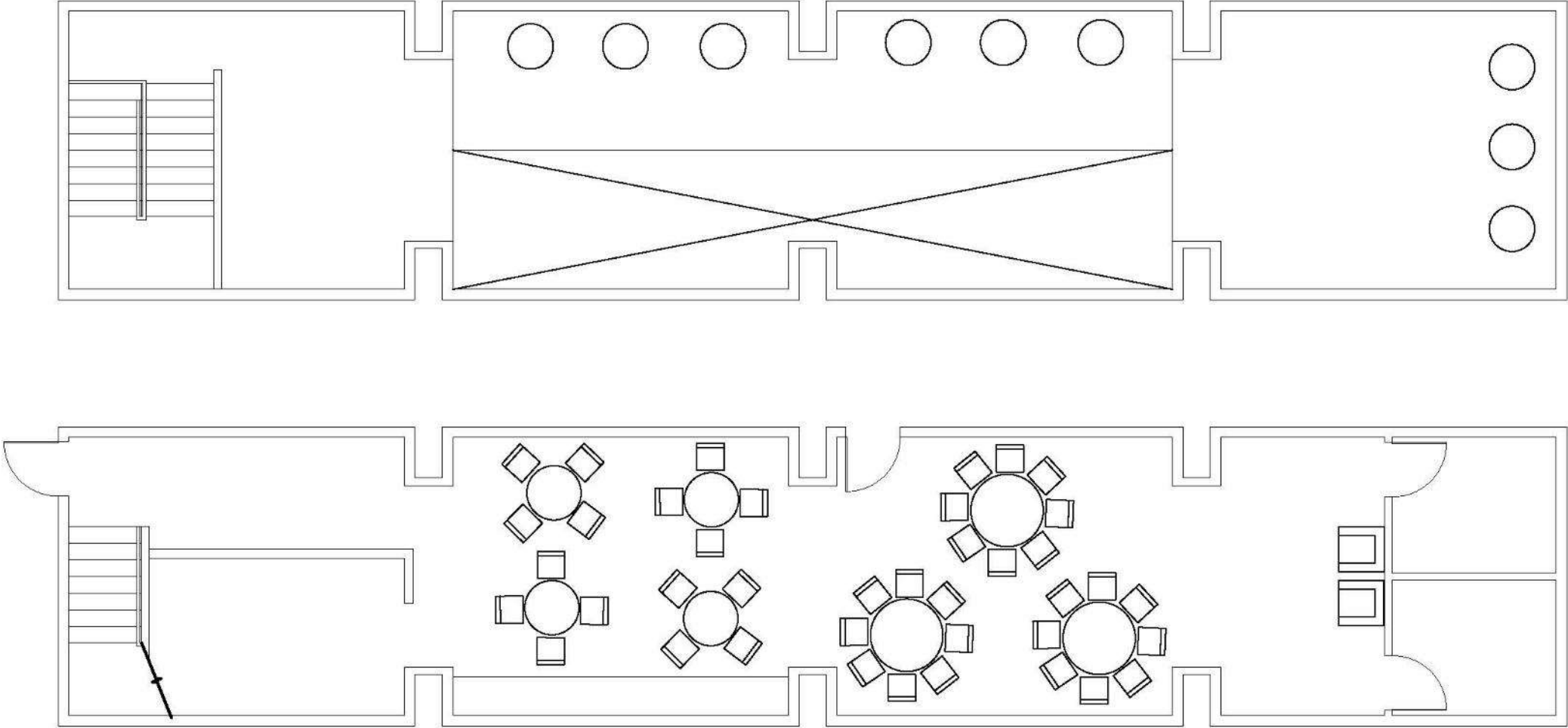
# Assignment 4B - Circulation Plan B



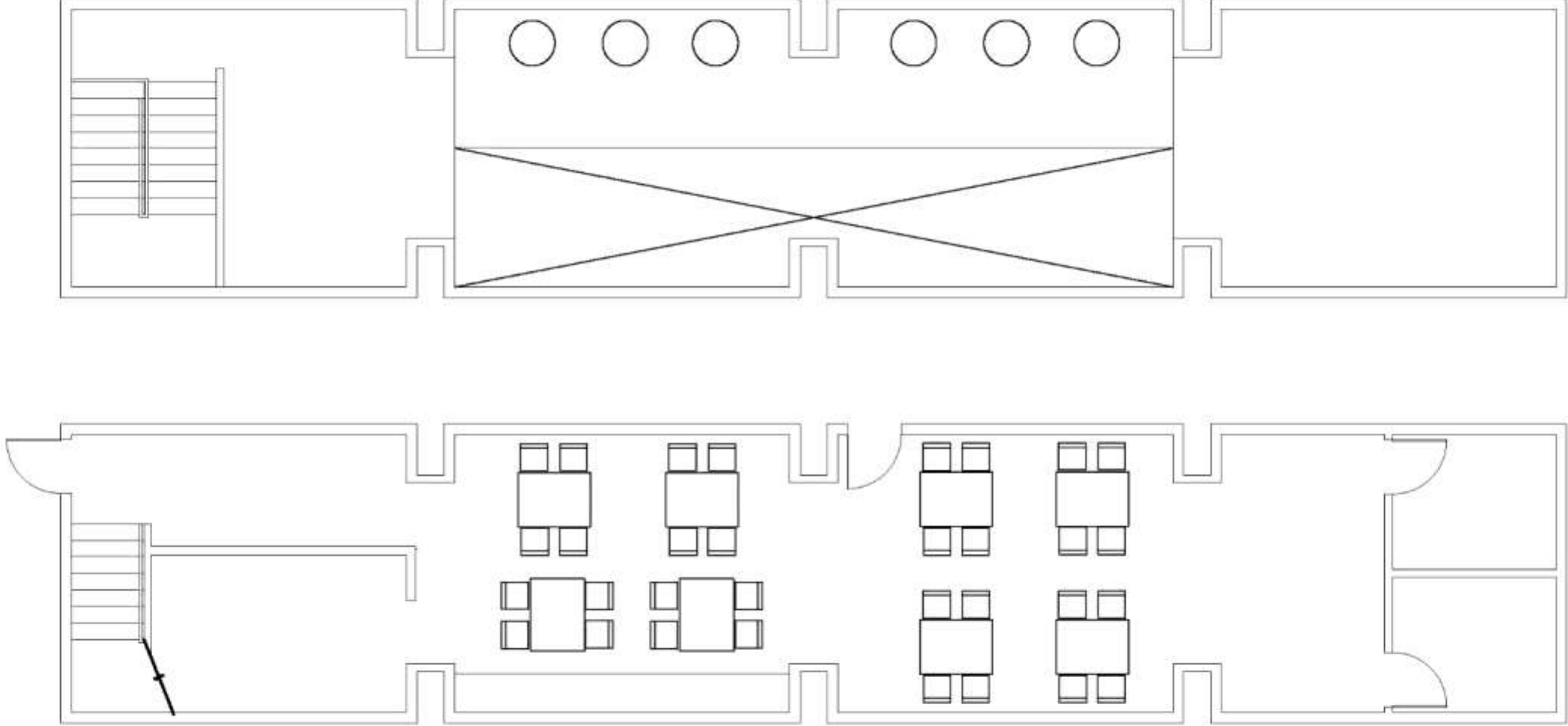
Second Floor Plan



**Assignment 6A-Furniture Plan A**



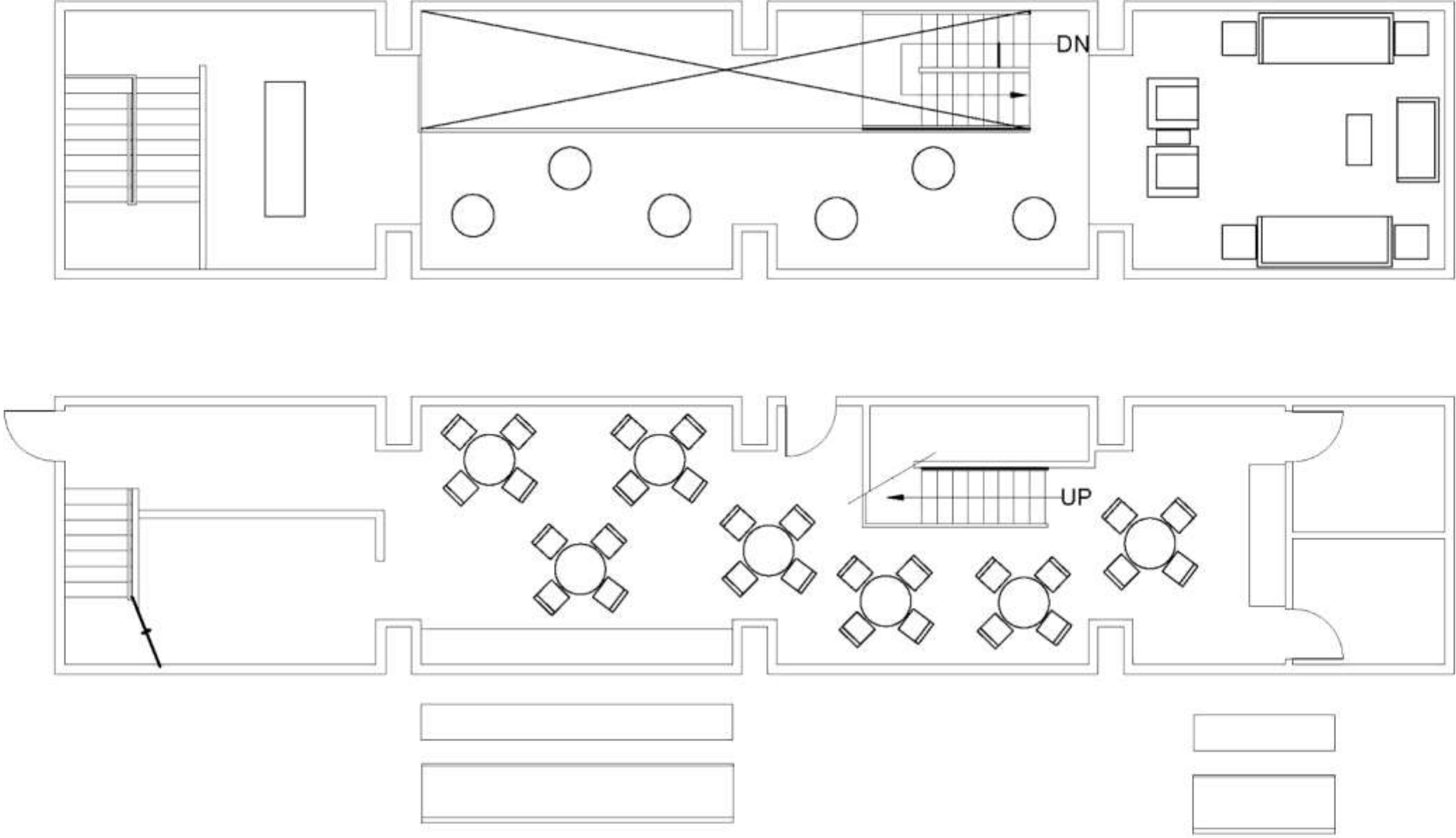
**Assignment 6B-Furniture Plan B**



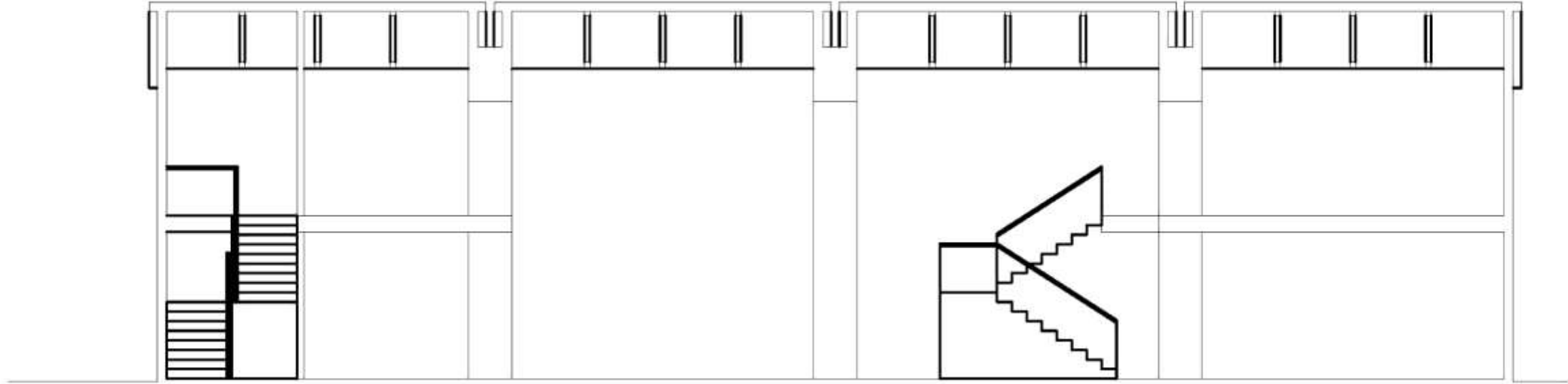
Assignment 5-Counter Plan & Elevation

Assignment 6C – Furniture Plan C

Assignment 7A – Stair Plan



**Assignment 7B – Stair Elevation**



**Melissa Noonan IDSN 2102 F20**