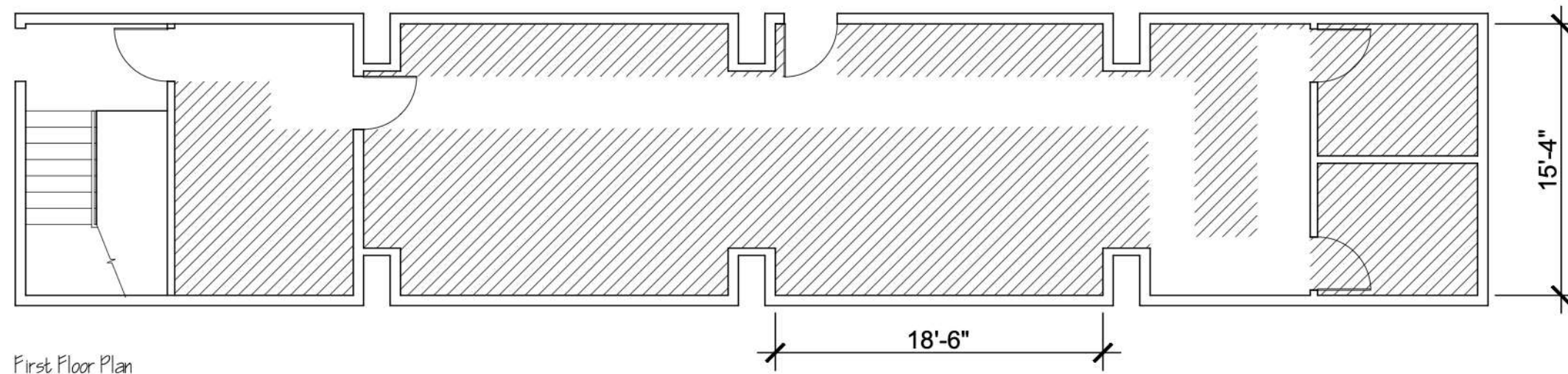
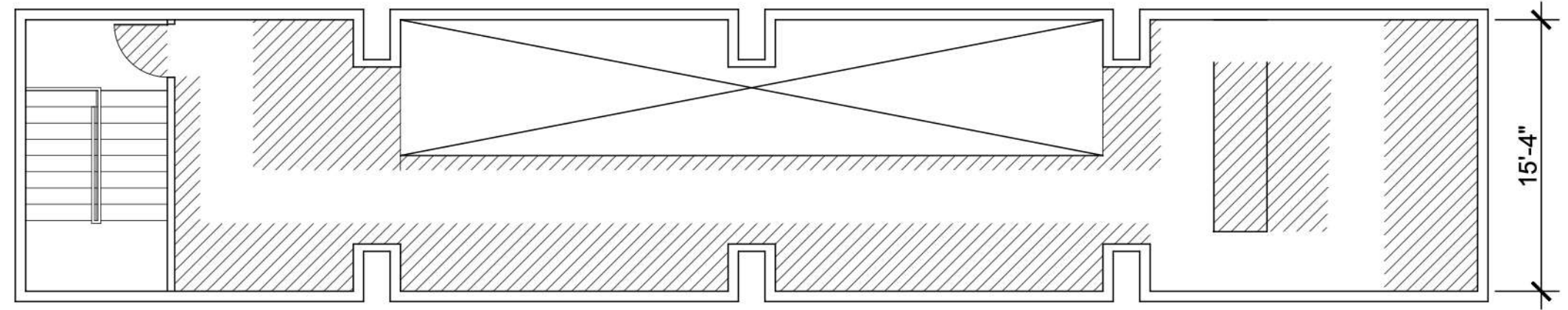


PORTFOLIO TWO

PAIGE POTTLE

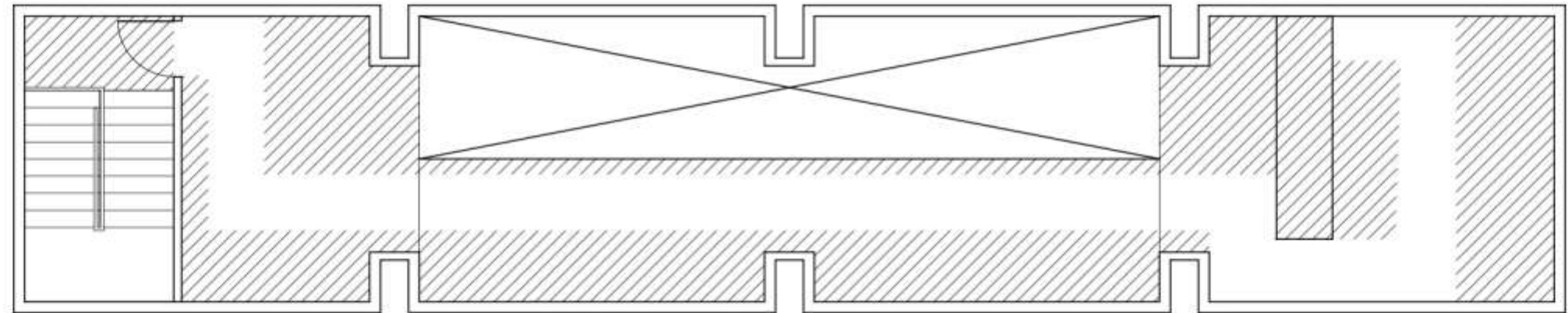
IDSN 2102 Fall 2020

Assignment 4:
Circulation plan A

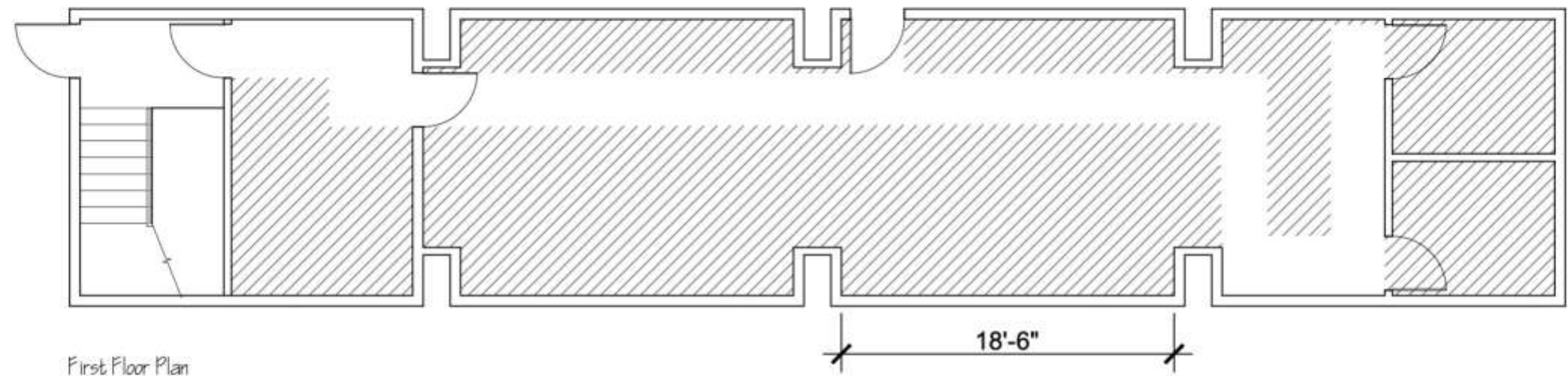


PAIGE POTTLE
IDSN 2102
F20

Assignment 4:
Circulation plan B



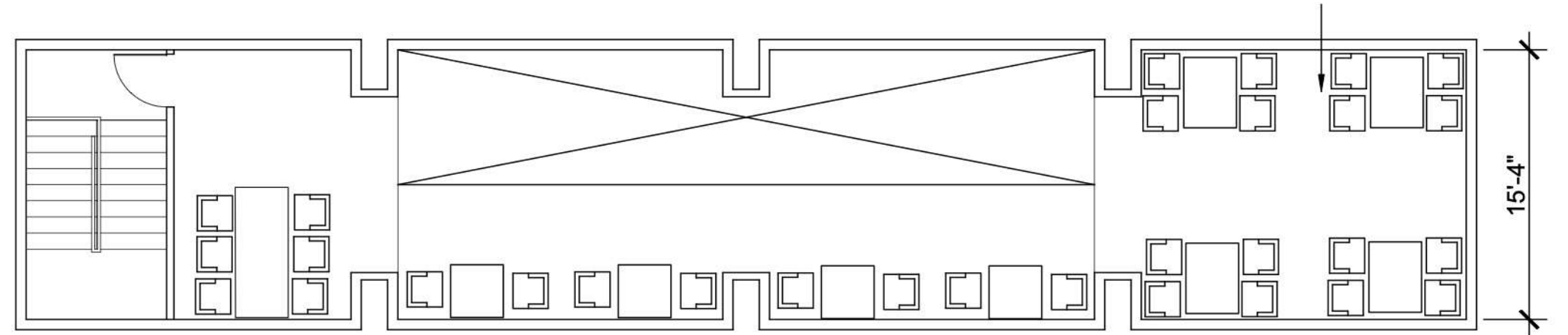
Second Floor Plan



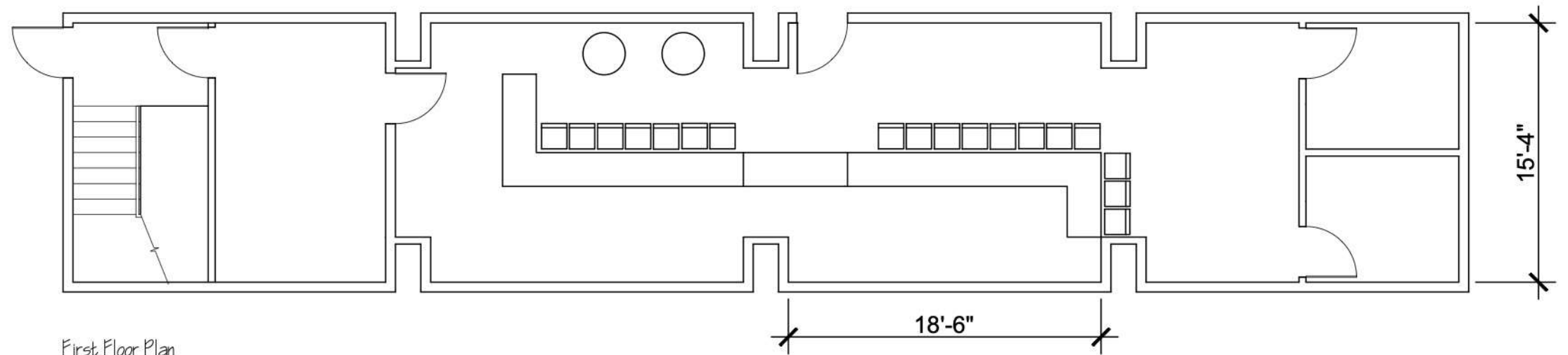
First Floor Plan

PAIGE POTTLE
IDSN 2102
F20

Assignment 6:
Furniture Plan A



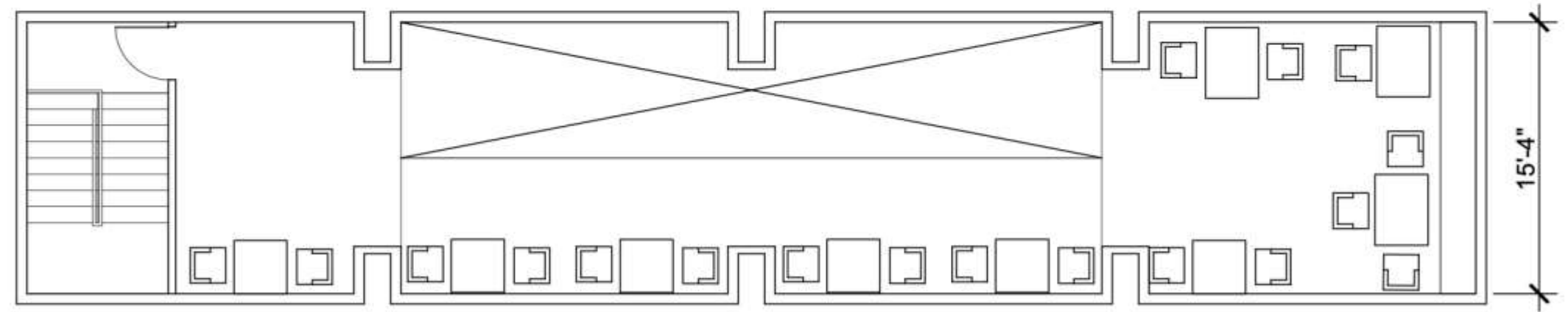
Second Floor Plan



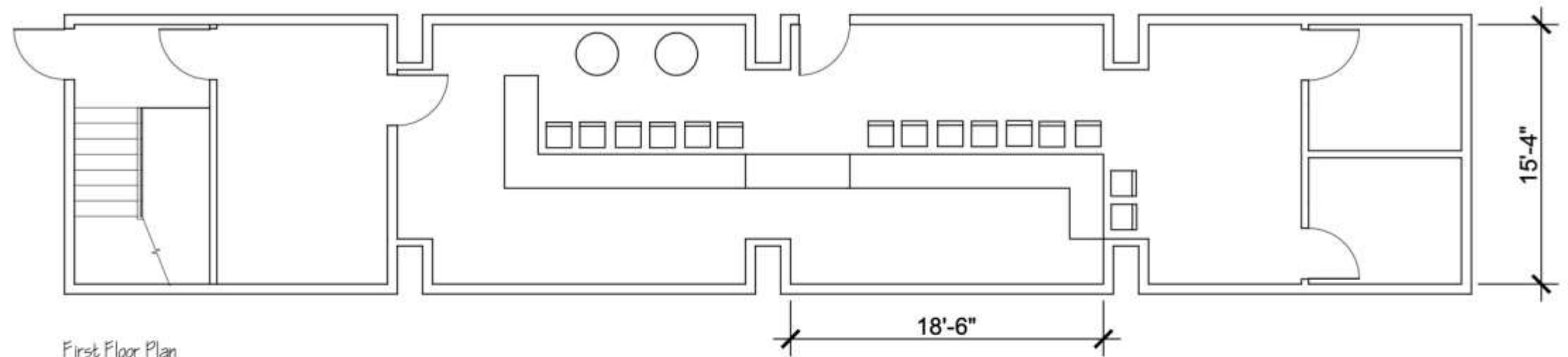
First Floor Plan

PAIGE POTTLE
IDSN 2102
F20

Assignment 6:
Furniture Plan B



Second Floor Plan



First Floor Plan

PAIGE POTTLE
IDSN 2102
F20

Assignment 6:

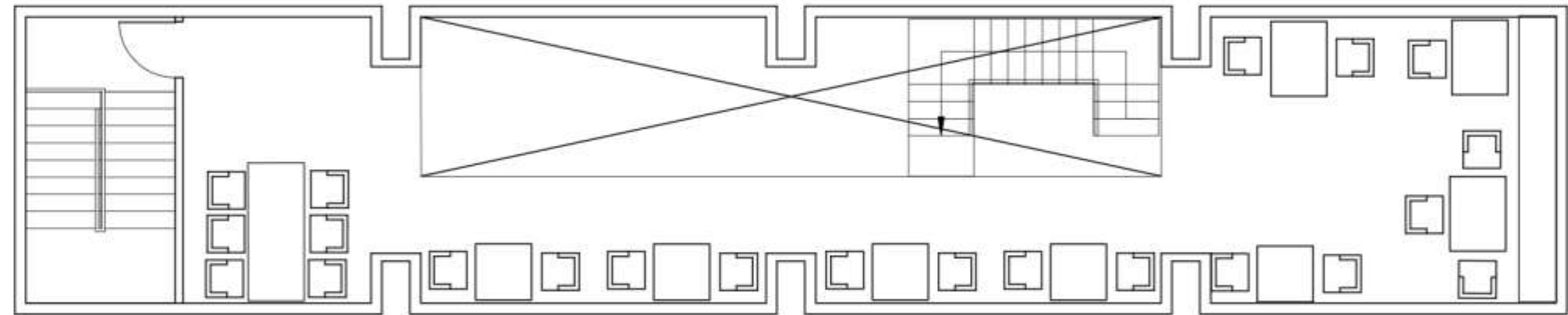
Furniture Plan C

+ Assignment 5:

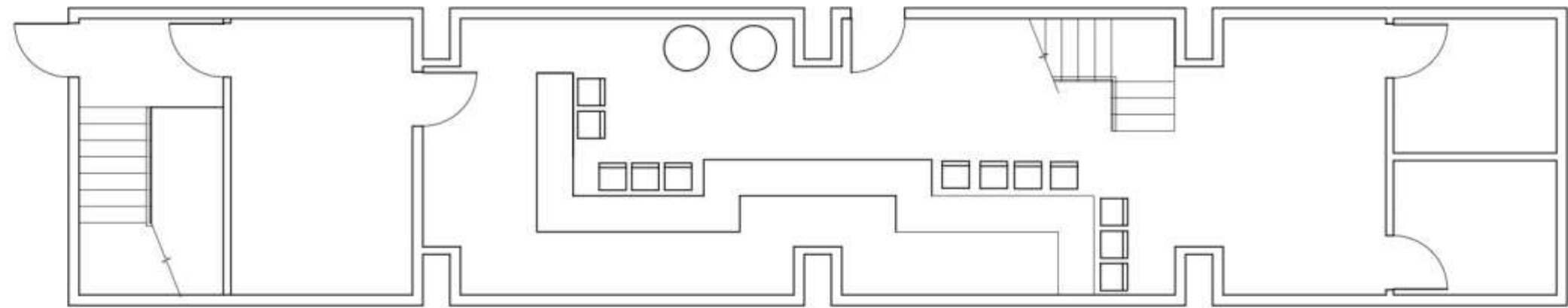
Counter plan

+ Assignment 7:

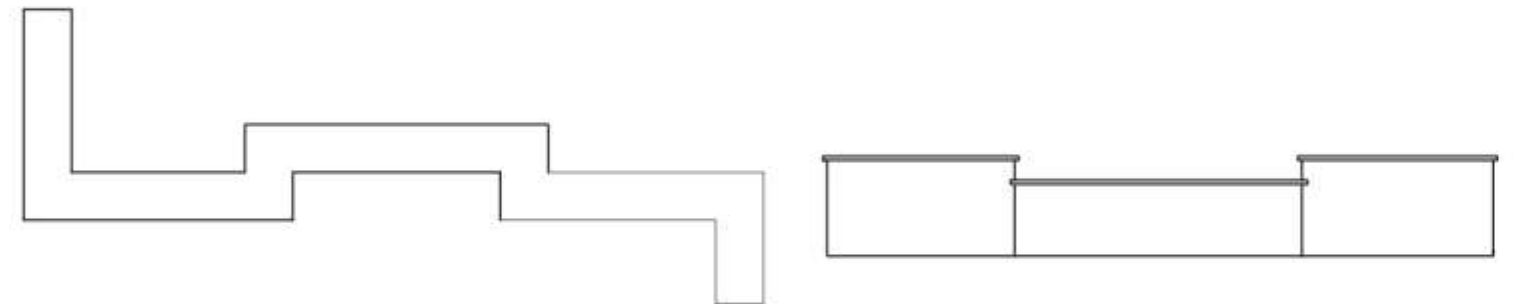
Stair plan



Second Floor Plan



First Floor Plan

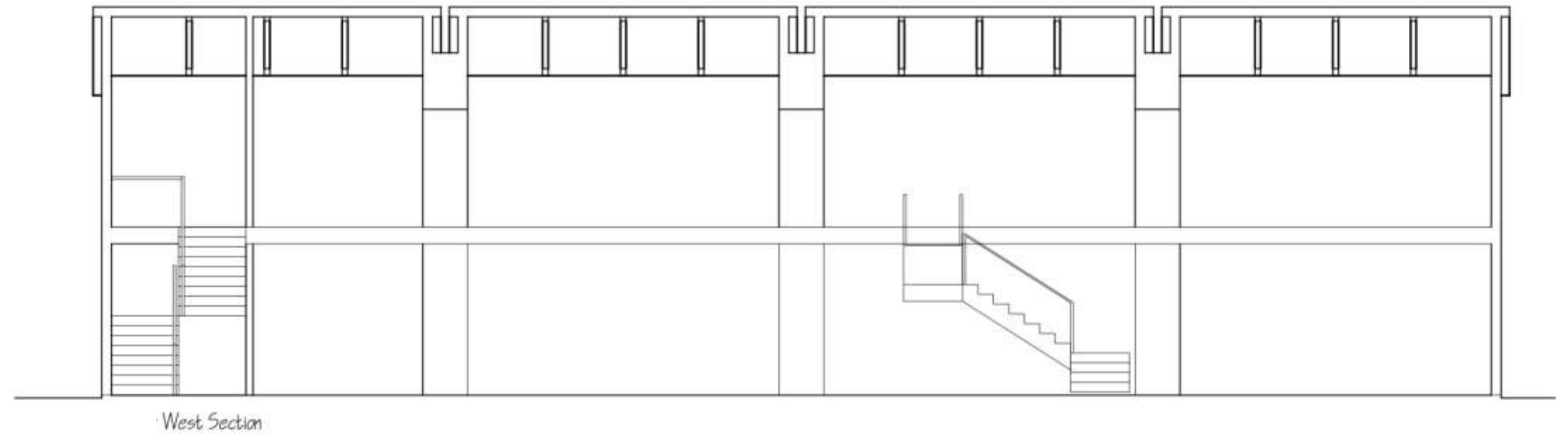


PAIGE POTTLE

IDSN 2102

F20

Assignment 7:
Stair elevation



PAIGE POTTLE
IDSN 2102
F20