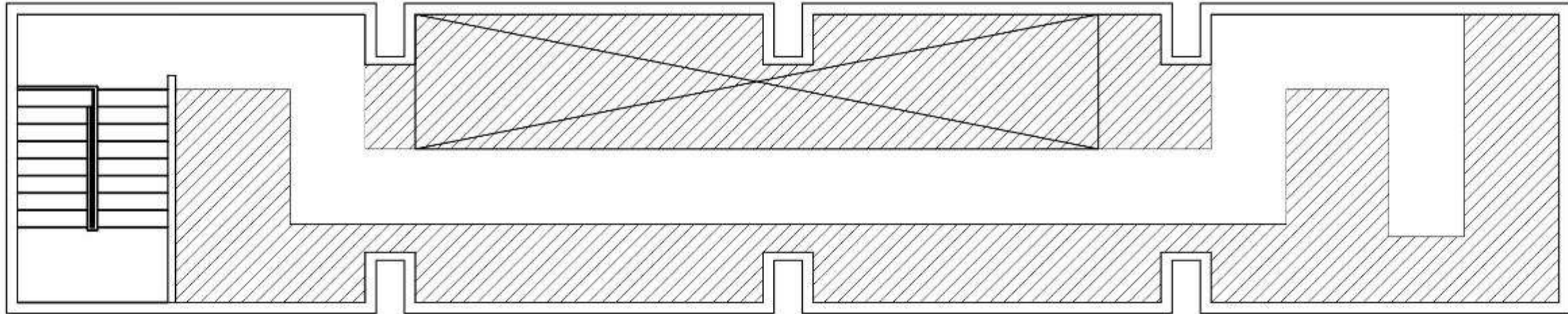
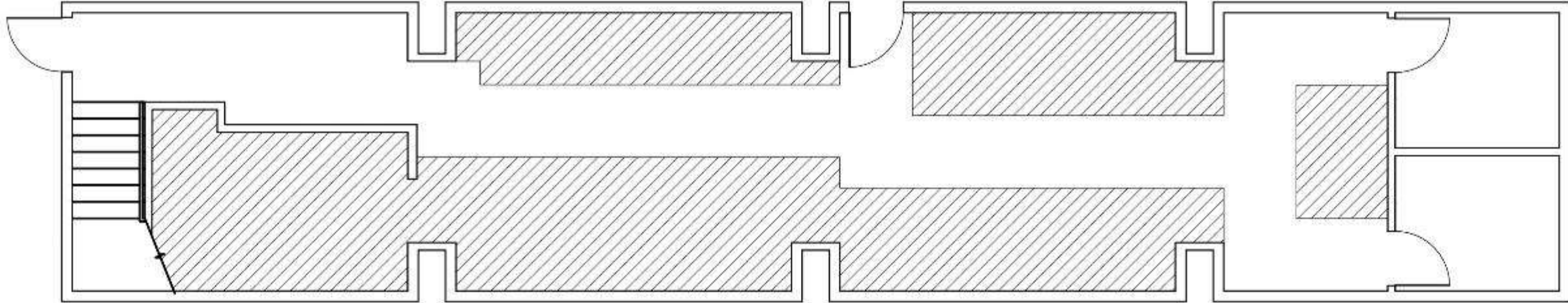


**Assignment 4A – Circulation Plan A**

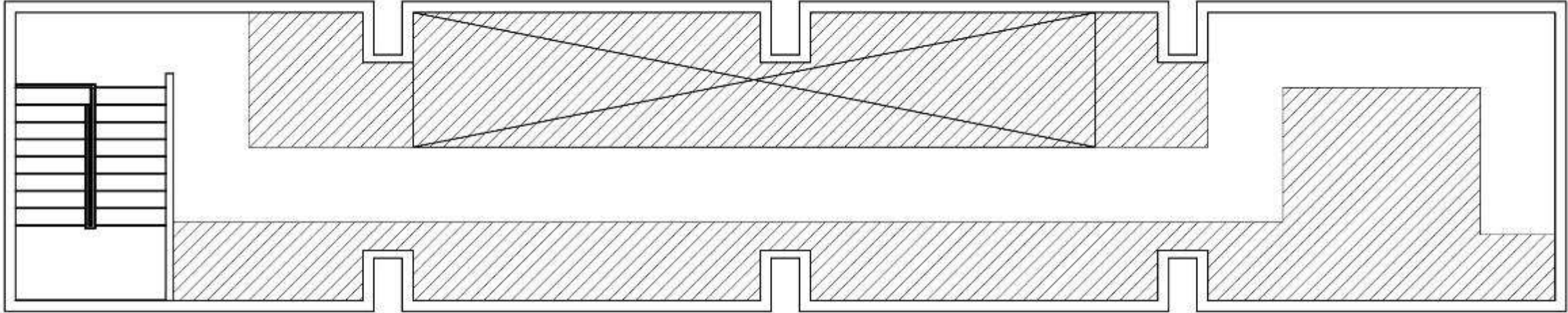


Second Floor Plan

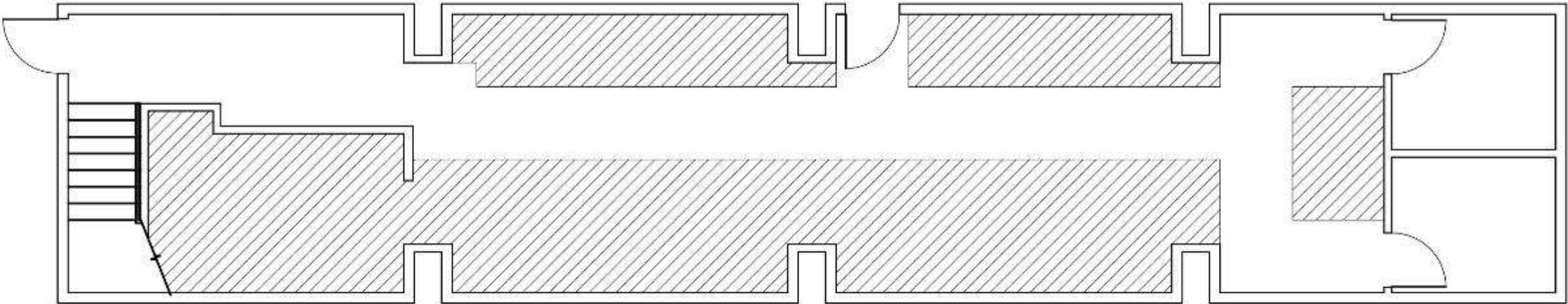


First Floor Plan

**Assignment 4B – Circulation Plan B**

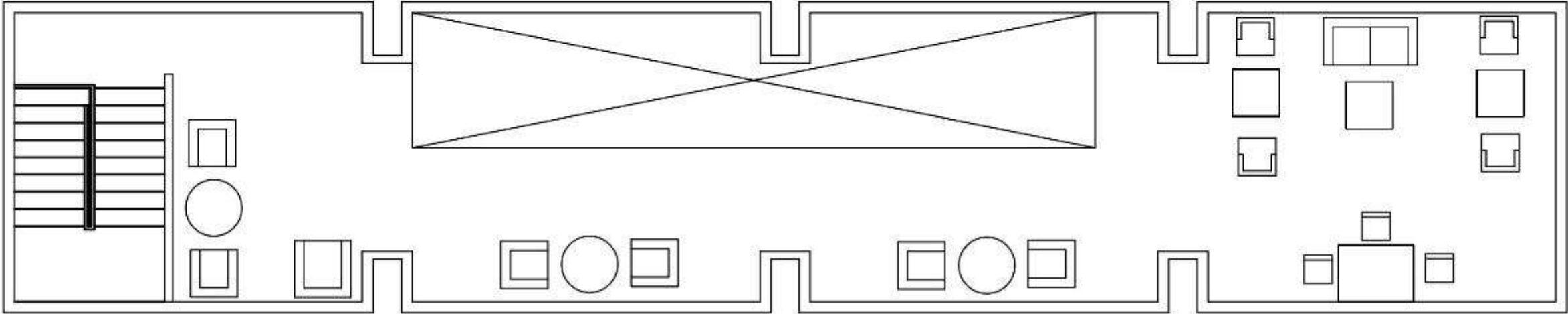


Second Floor Plan

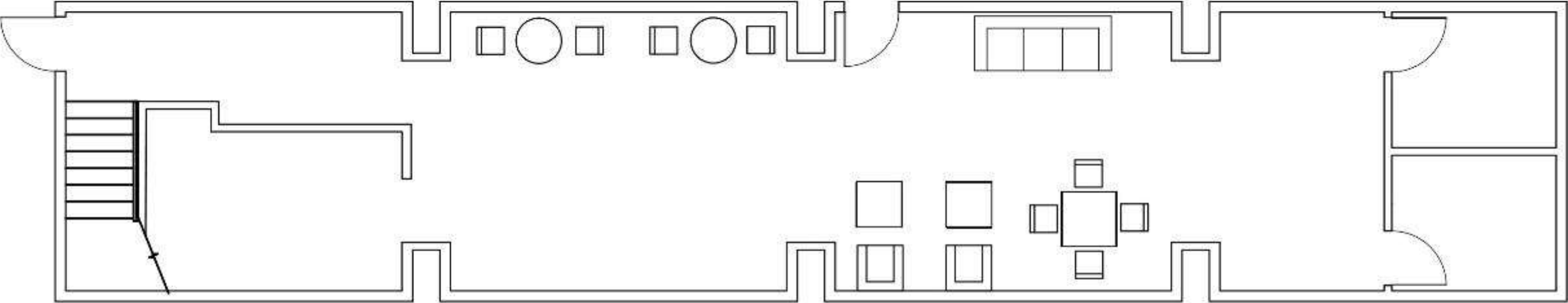


First Floor Plan

**Assignment 6A – Furniture Plan A**

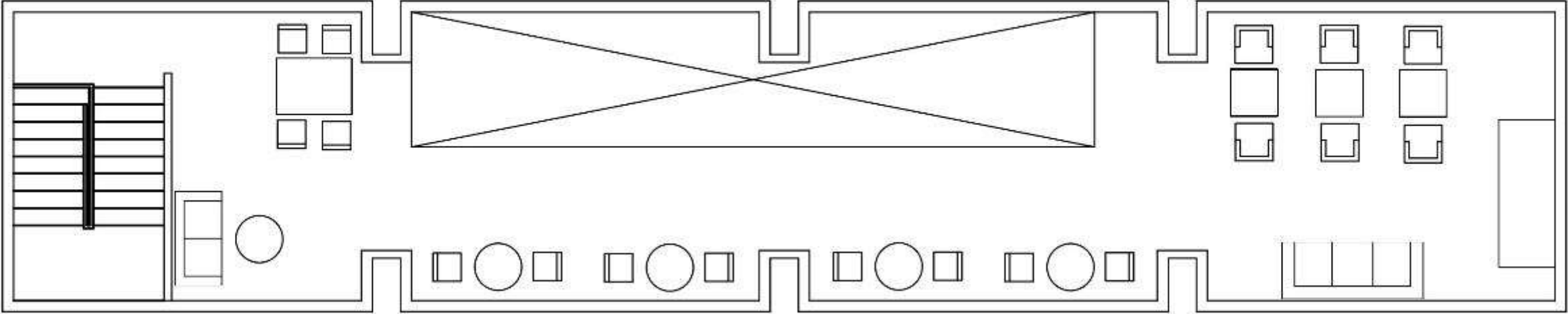


Second Floor Plan

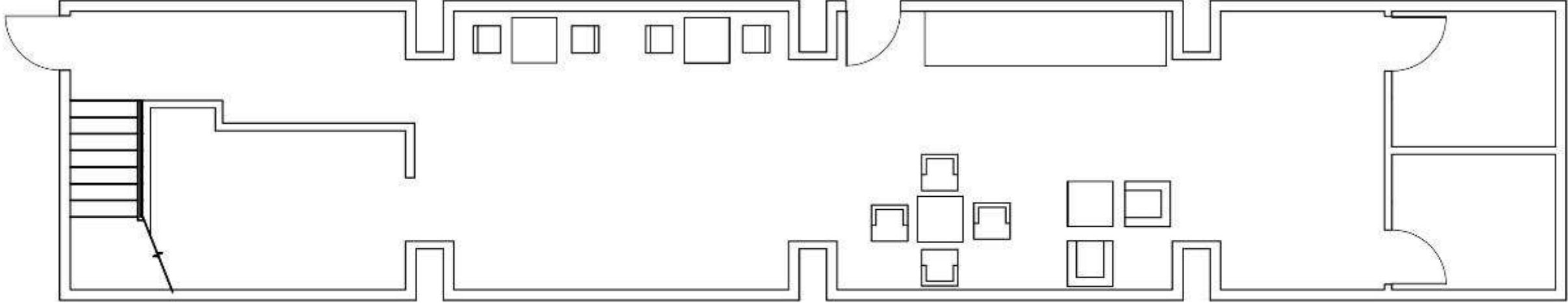


First Floor Plan

**Assignment 6B – Furniture Plan B**



Second Floor Plan

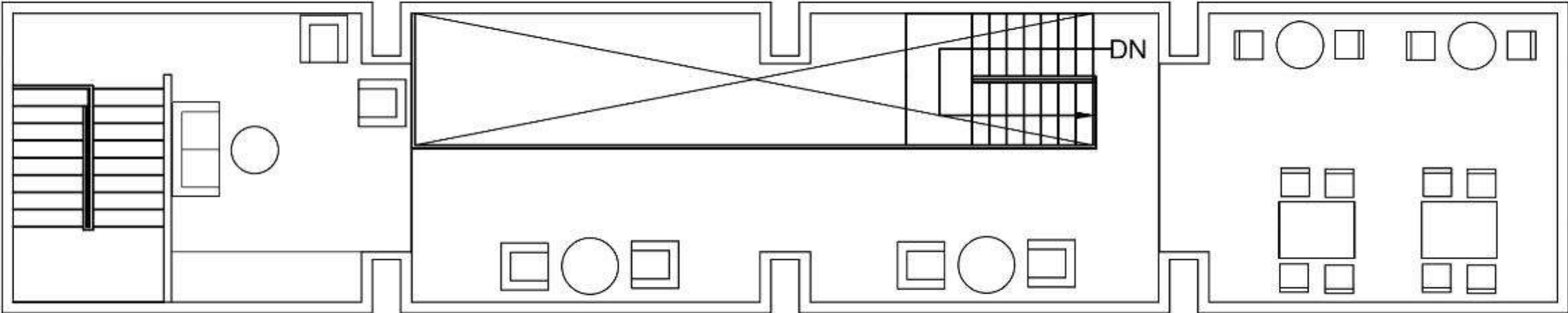


First Floor Plan

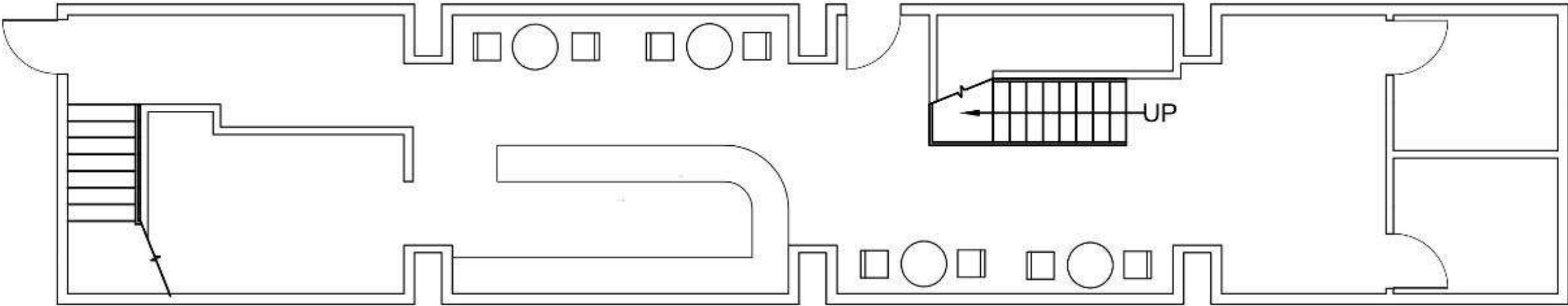
**Assignment 5 – Counter Plan & Elevation**

**Assignment 6C – Furniture Plan C**

**Assignment 7A – Stair Plan**

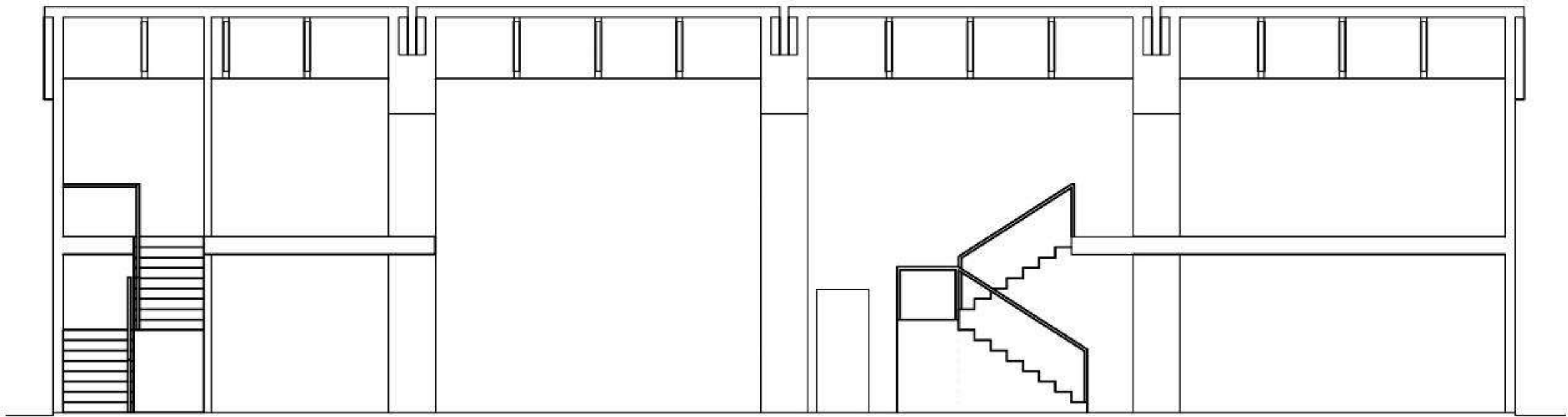


Second Floor Plan



First Floor Plan

**Assignment 7B – Stair Elevation**



East or West Section