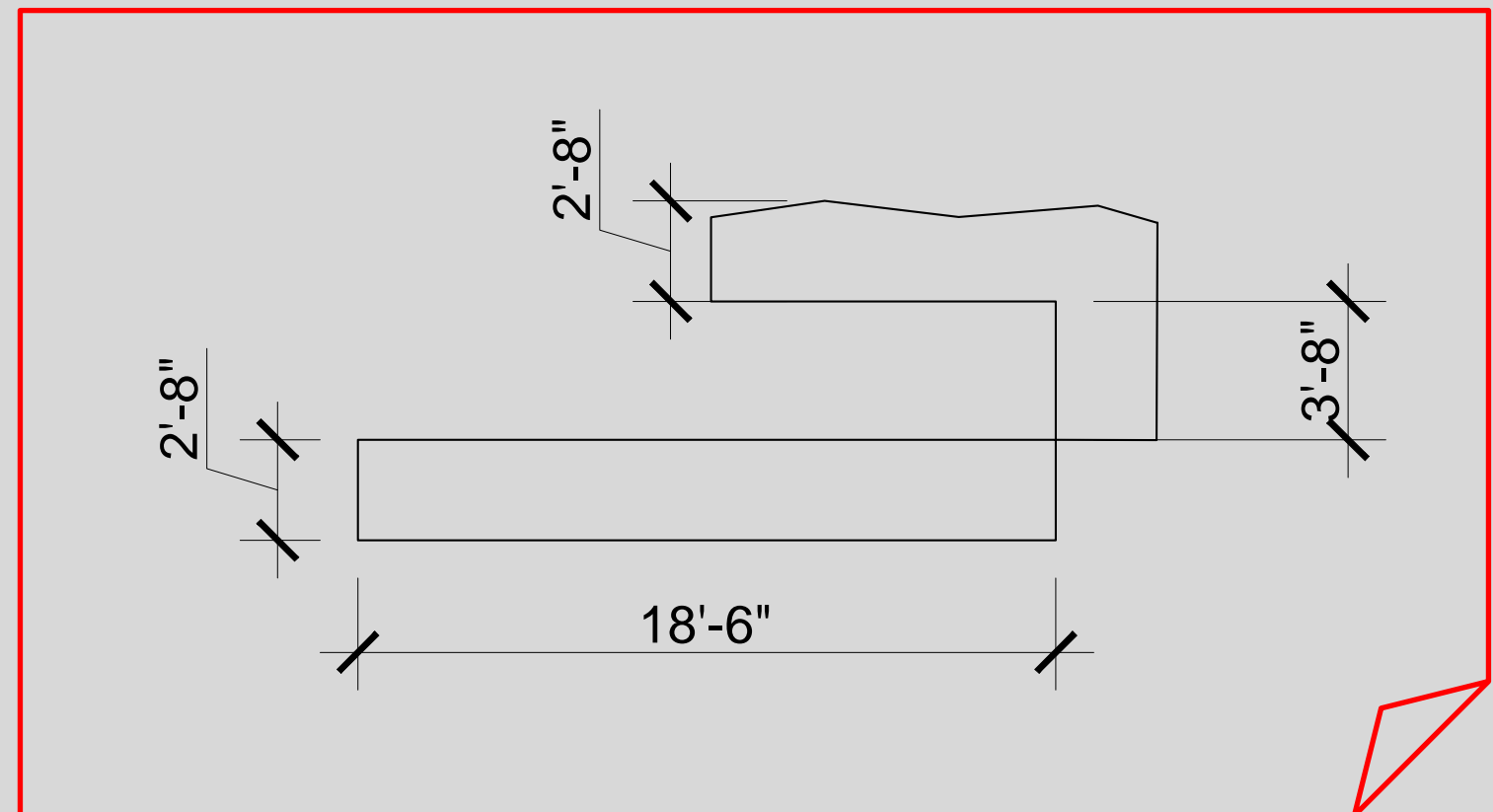
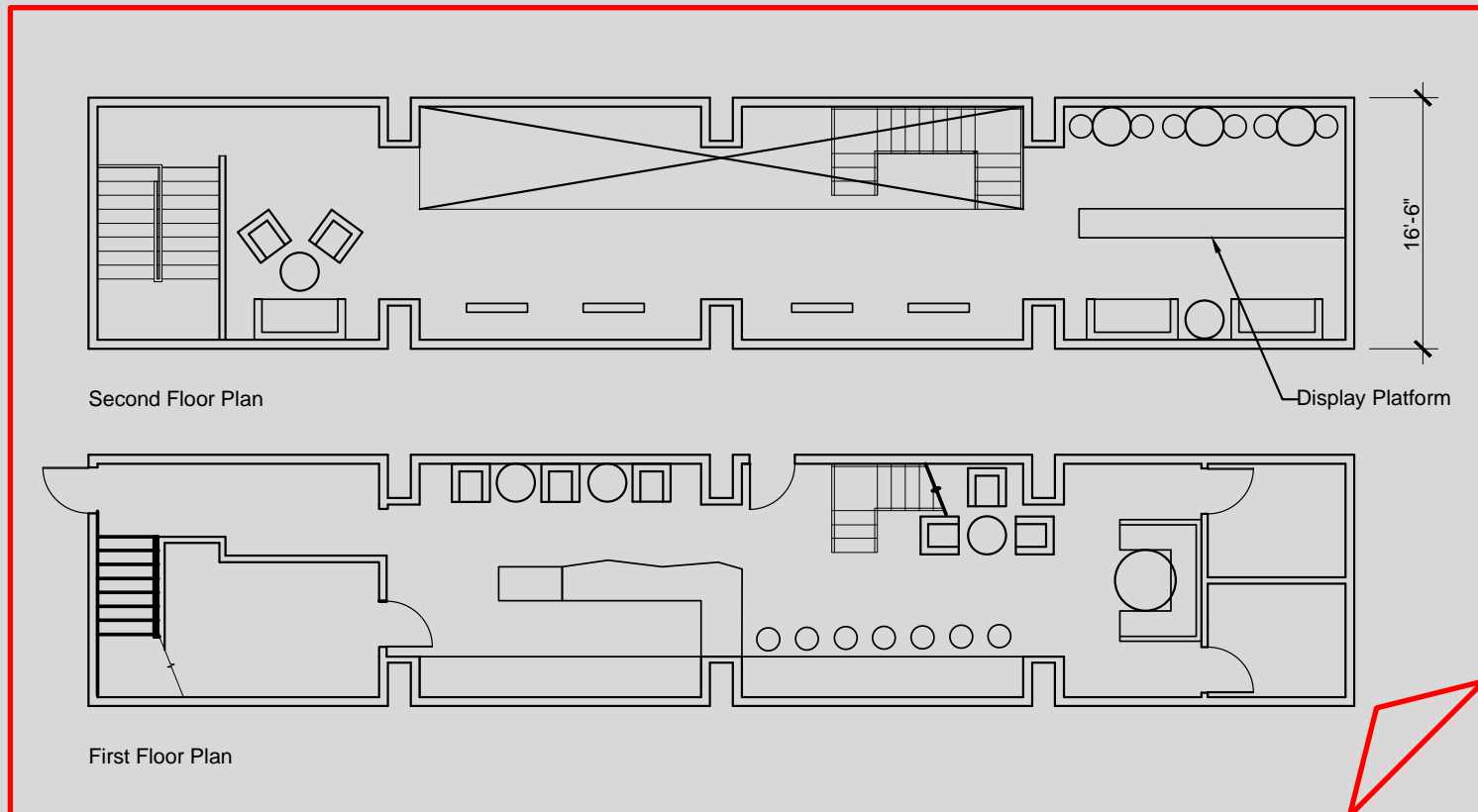


# PORTFOLIO 2

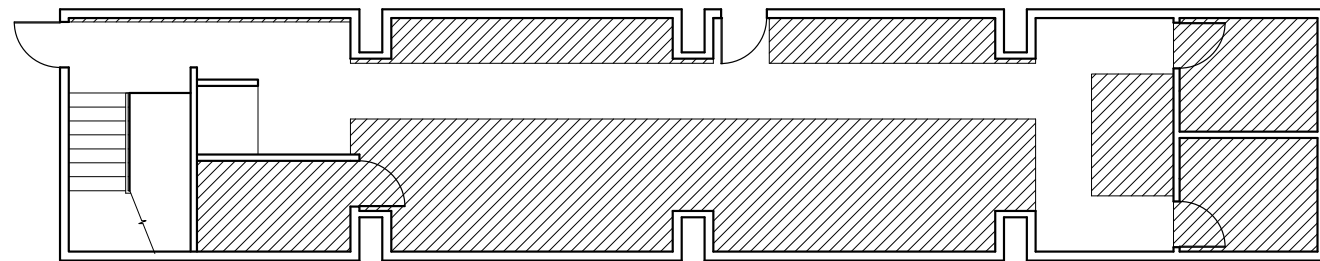
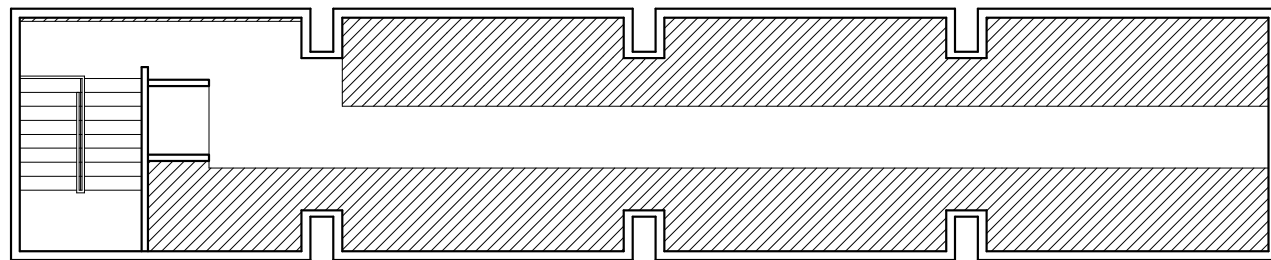
## *PRELIMINARY SCHEMATIC DESIGN*

MACY TILLET – IDSN 2102 – FALL 2020

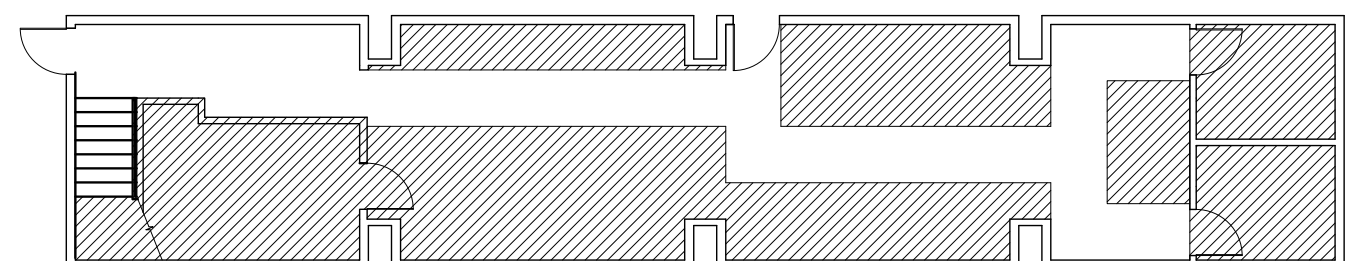
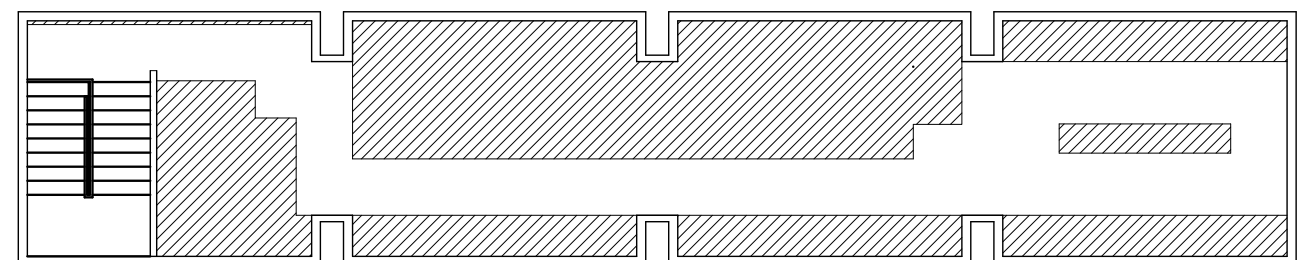


# CIRCULATION PLANS

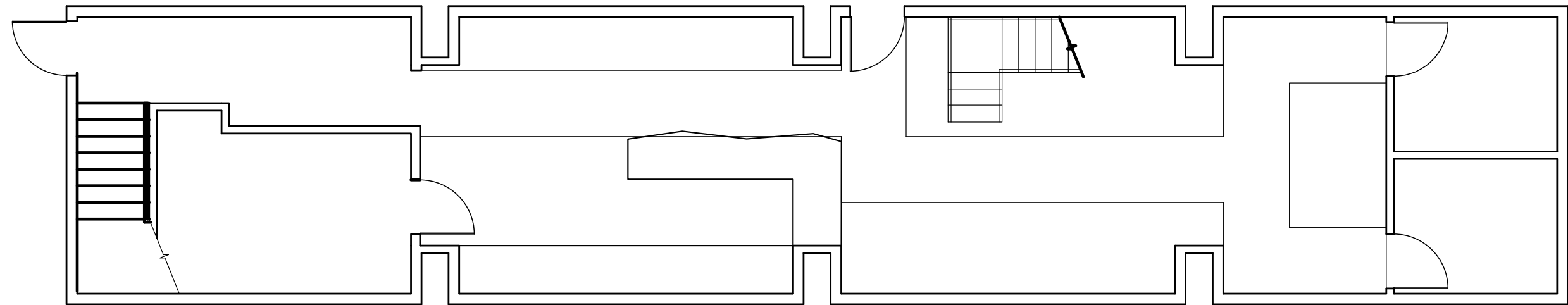
OPTION ONE



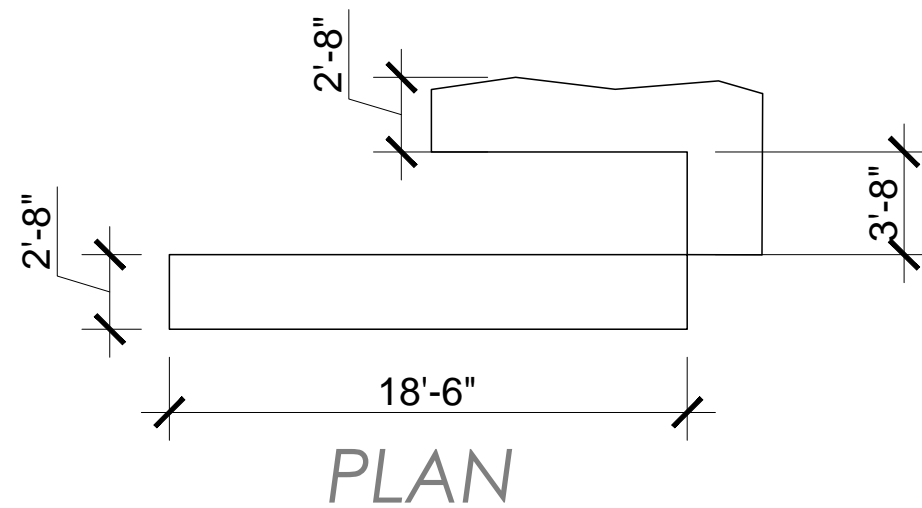
OPTION TWO



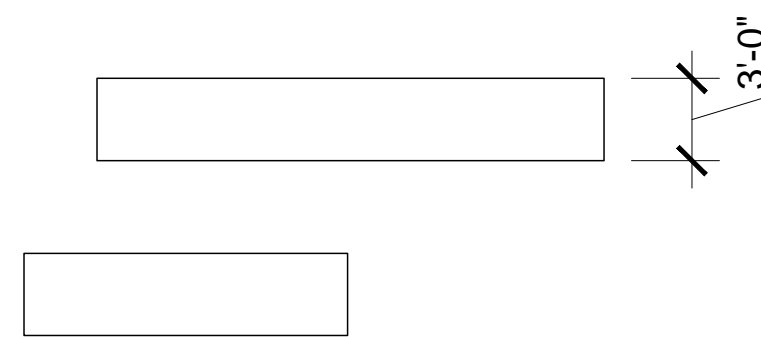
# SERVICE COUNTER PLAN + ELEVATION



First Floor Plan

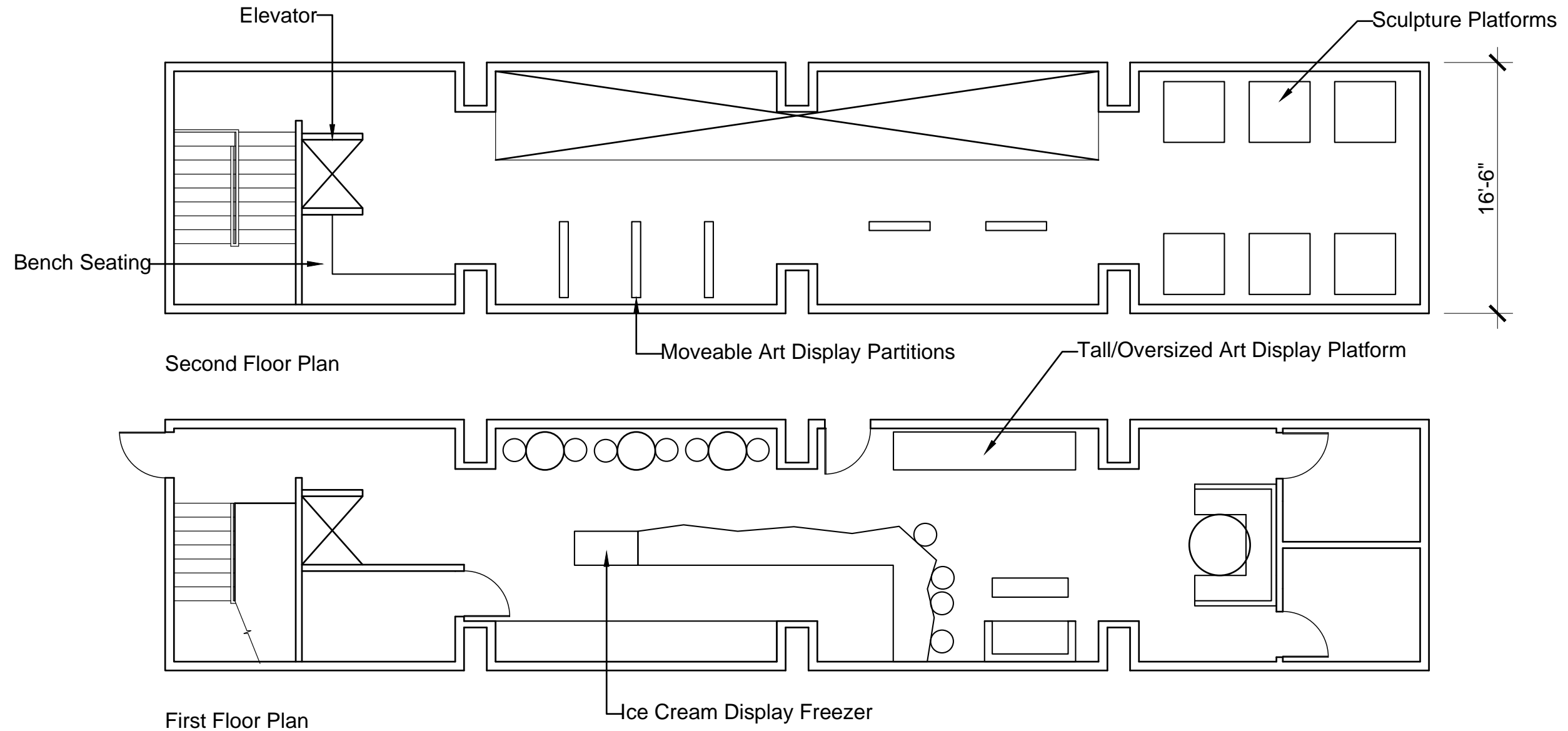


PLAN



ELEVATION  
(PUBLIC VIEW)

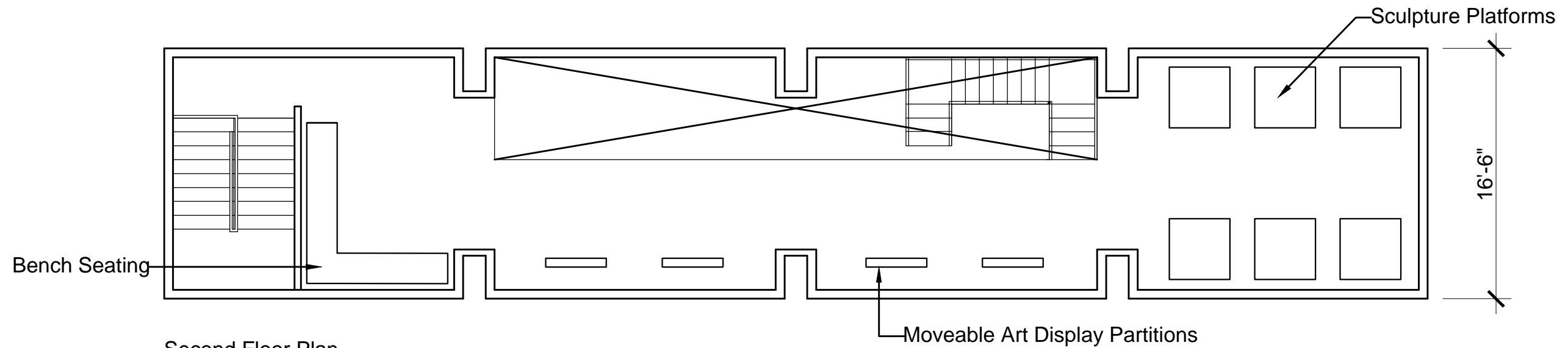
# PRELIMINARY FURNITURE PLAN ONE



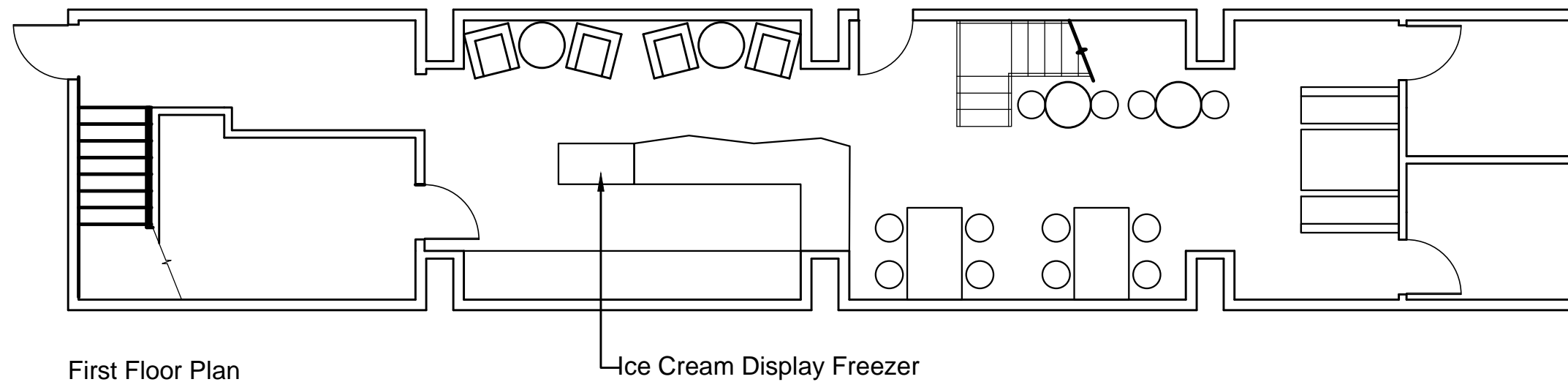
## NOTES:

- ✓ VARIETY OF SEATING ON FIRST LEVEL
- ✓ FUNCTIONAL GALLERY DESIGN ON SECOND LEVEL, ENCOURAGES GUESTS TO CIRCULATE
- ✓ GALLERY DESIGN CREATES AN ENTERTAINING ENVIRONMENT, ENCOURAGES GUESTS TO REVISIT
- NOT CODE COMPLIANT, DOES NOT INCLUDE TWO STAIRCASES

# PRELIMINARY FURNITURE PLAN TWO



Second Floor Plan

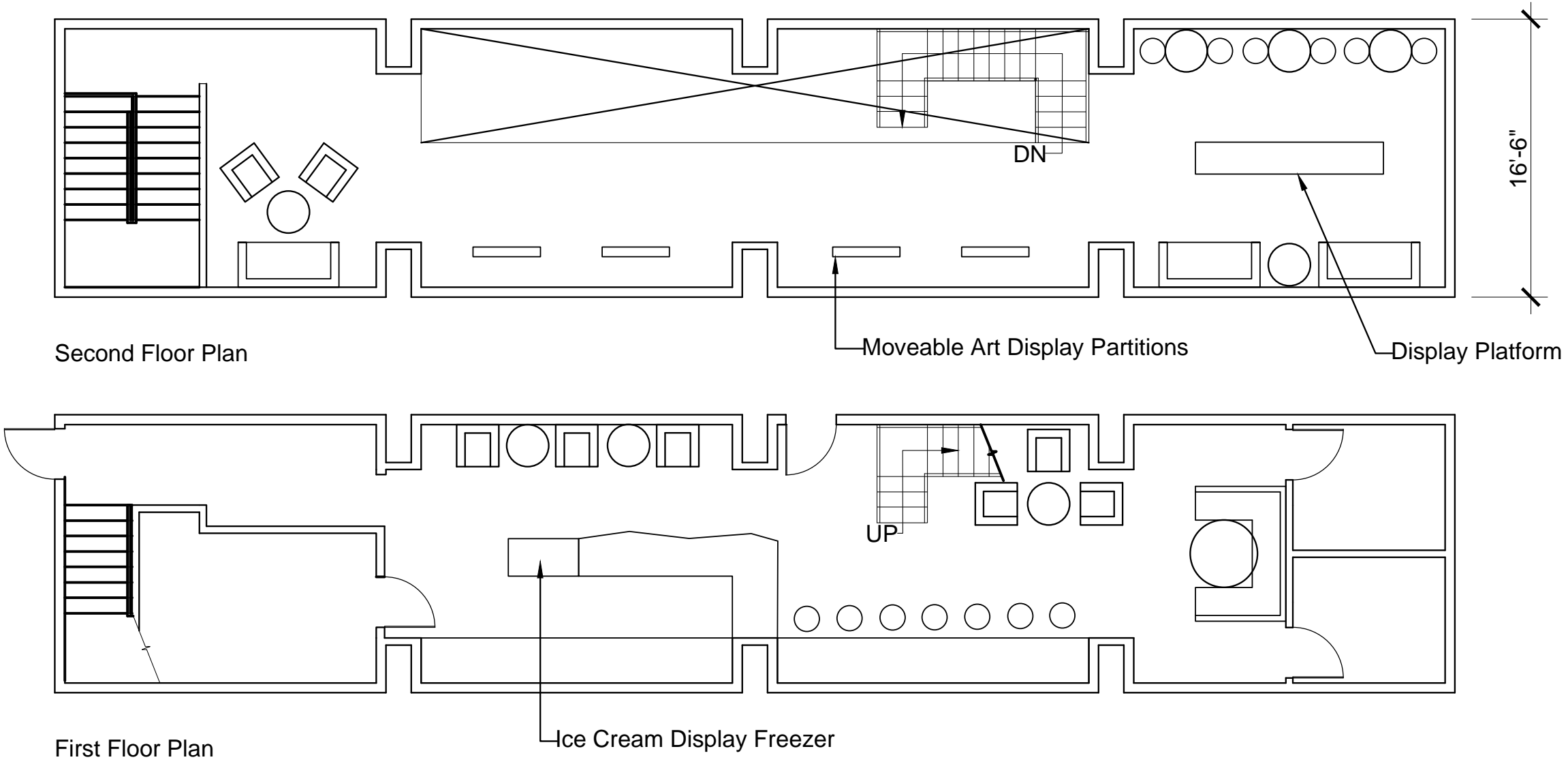


First Floor Plan

## NOTES:

- ✓ VARIETY OF SEATING ON FIRST LEVEL
- ✓ FUNCTIONAL GALLERY DESIGN ON SECOND LEVEL, ENCOURAGES GUESTS TO CIRCULATE
- ✓ GALLERY DESIGN CREATES AN ENTERTAINING ENVIRONMENT, ENCOURAGES GUESTS TO REVISIT

# PRELIMINARY FURNITURE PLAN THREE



## NOTES:

- ✓ VARIETY OF SEATING ON FIRST LEVEL
- ✓ COMBINATION OF GALLERY DISPLAY AND ADDITIONAL SEATING ON SECOND LEVEL
- ✓ DISPLAY PLATFORM SEPARATES SPACE AND CREATES MORE PRIVATE SEATING AREAS

# STAIR PLANS + SECTIONS

