



PORTFOLIO 3

LISA DUERR

FLOOR PLAN



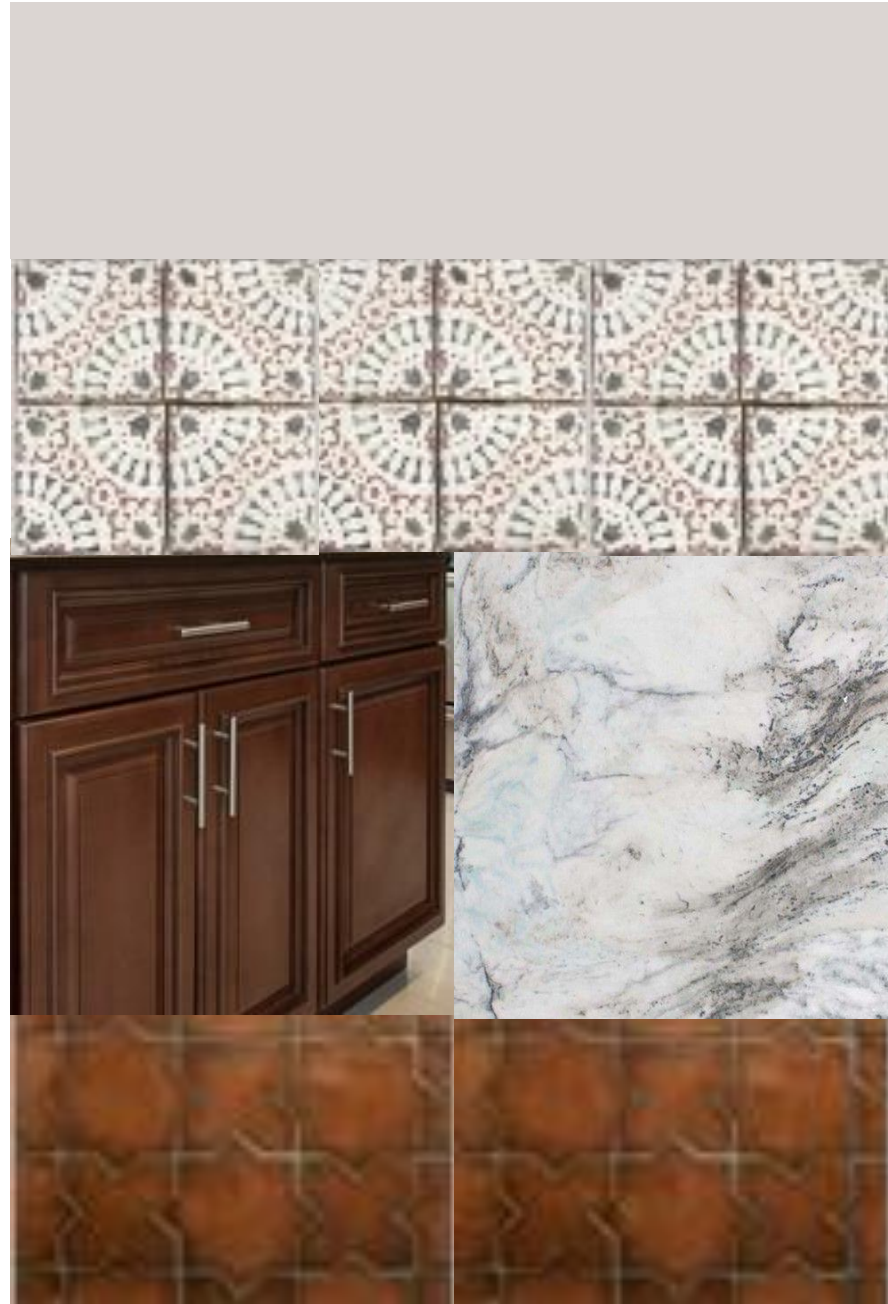
It was a long drive through the cold night. Walking up the stairs to the comfort of being home again fills me with relief. Opening the door I am greeted with warmth and security. I am safe and at home, surrounded by loving family members eager to embrace in loving hugs.

KITCHEN



The open kitchen creates no barrier from family and friends. Listening to their stories and laughs that fill the room, the smell of a delicious home cooked meal welcomes everyone.

KITCHEN



OPTION 1



OPTION 2

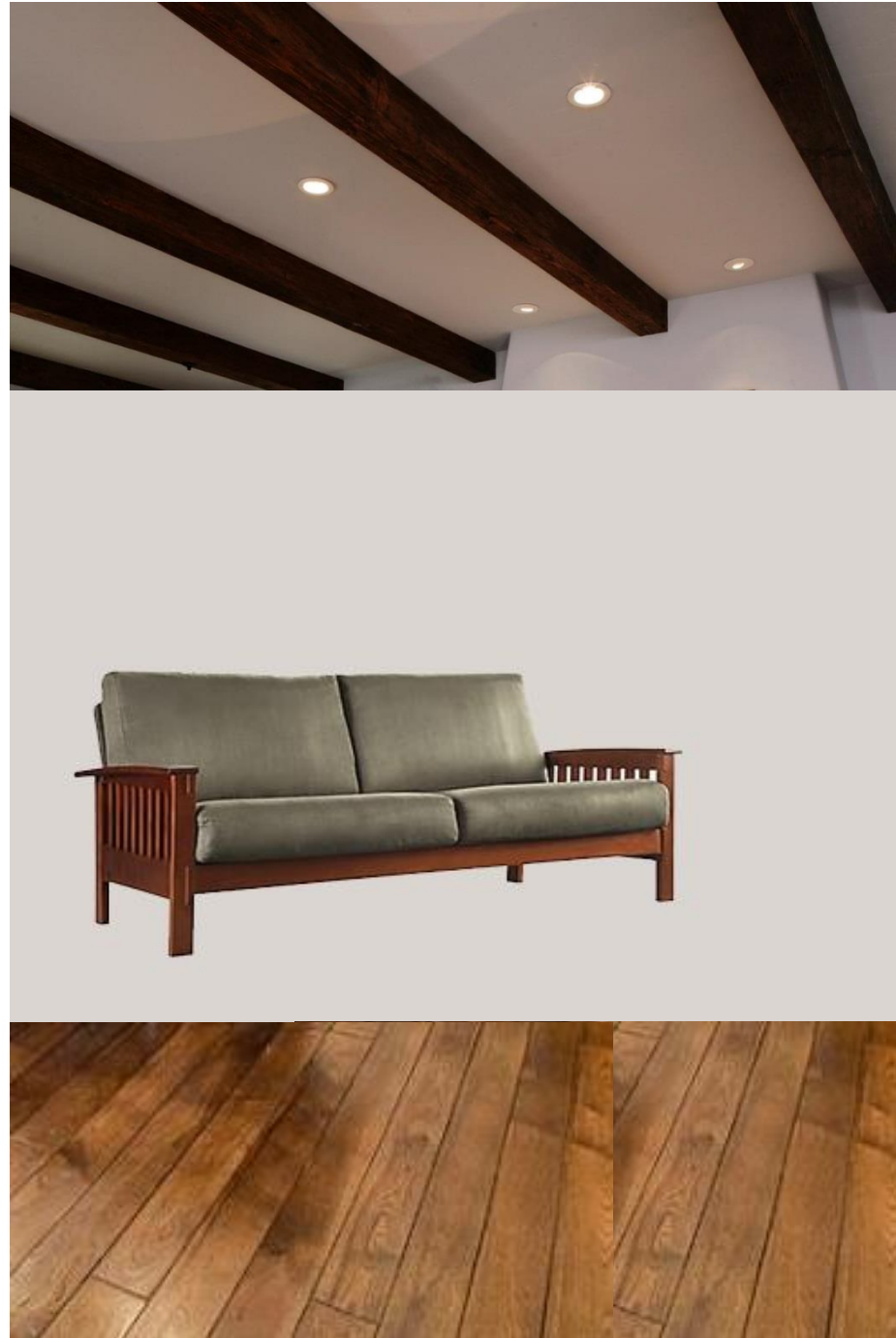


LIVING ROOM

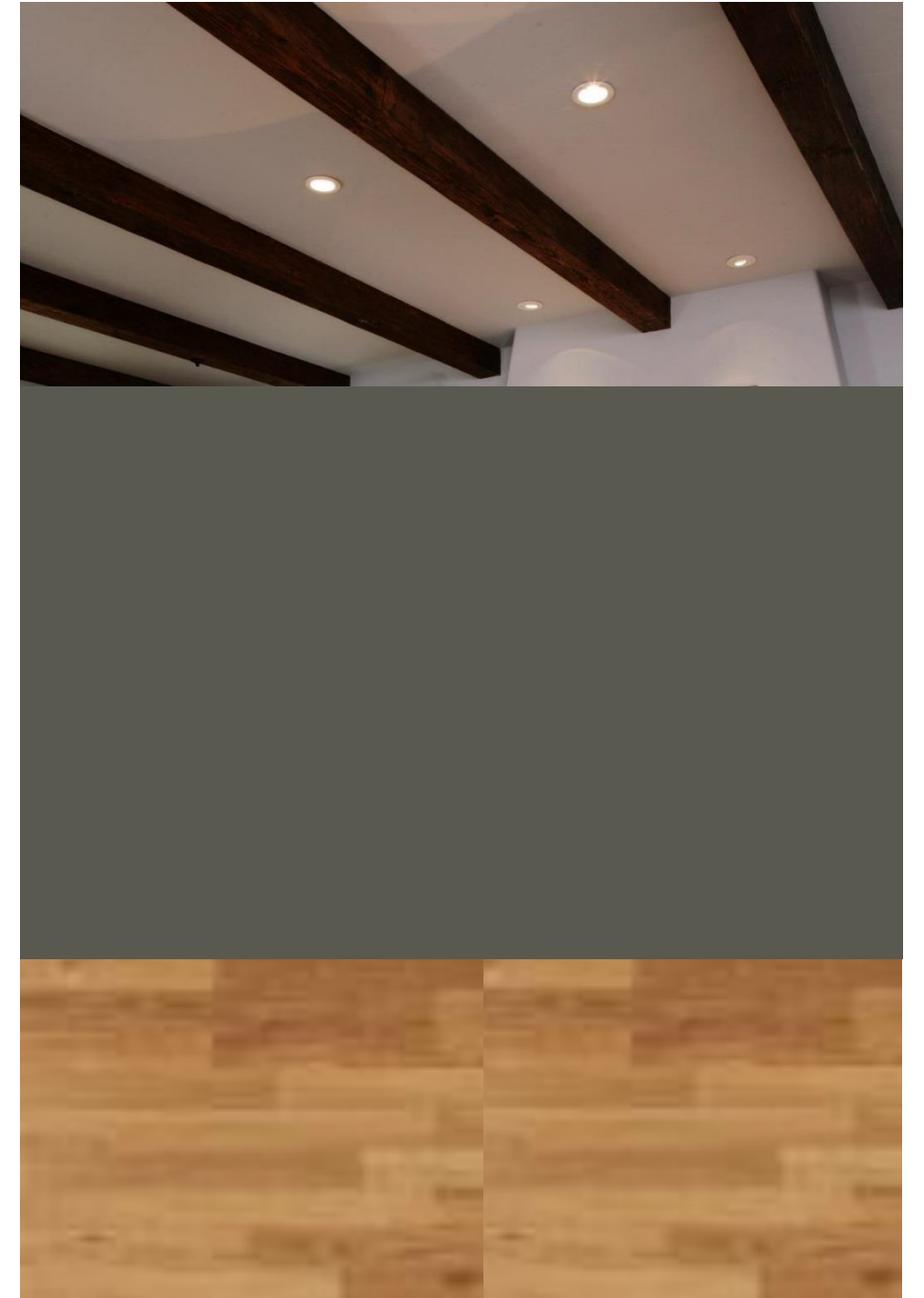


We sit and relax around with one another, surrounded by memories and making new ones. The fireplace is inviting as the warmth grows cozy. The soft rug and the supple sofa make it hard to ever think of leaving.

LIVING ROOM



OPTION 1



OPTION 2

DINING ROOM

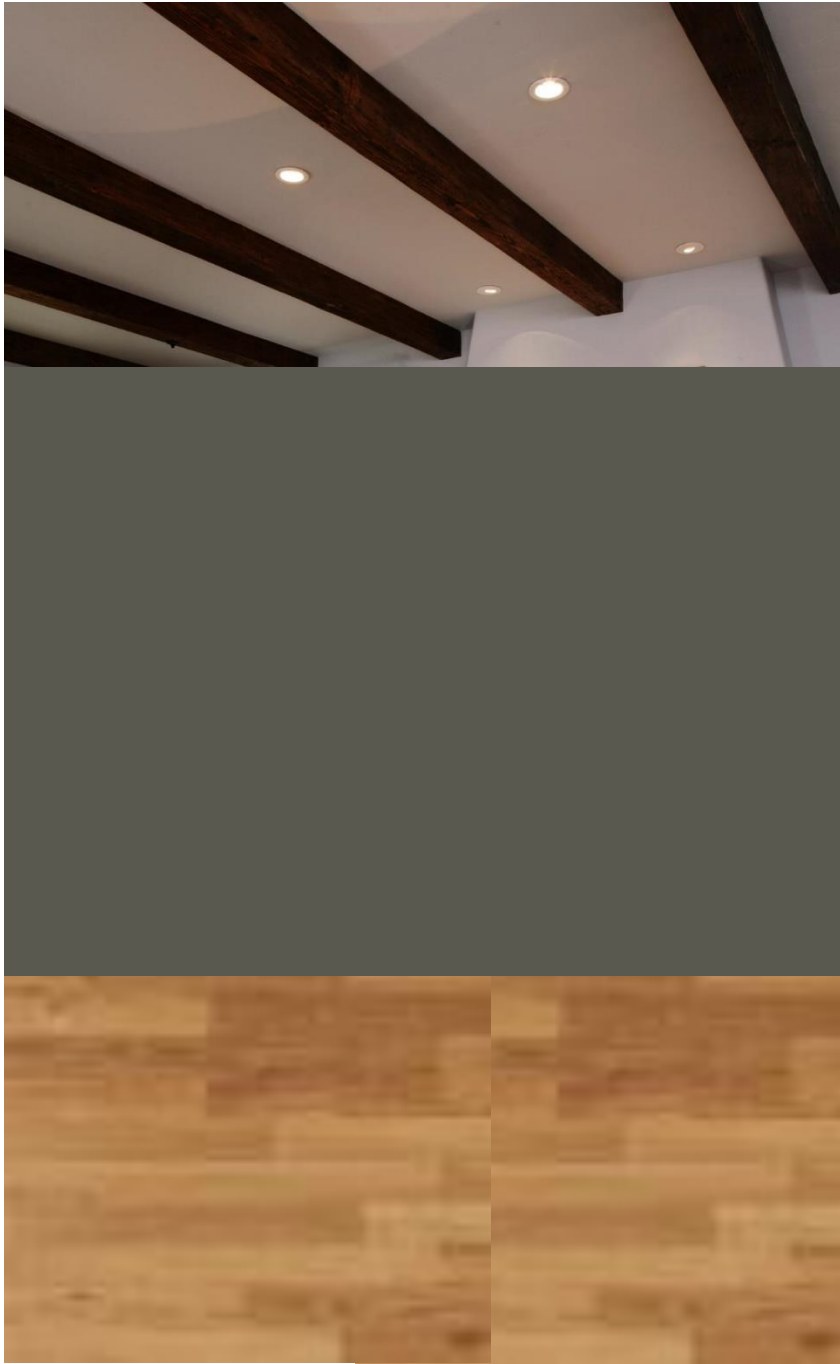


A gentle light shines over as food and conversations are passed around. The soothing sound of music from the television plays softly in the background. The opening to the living room lets us enjoy the view of the sun starting to set

DINING ROOM



OPTION 1



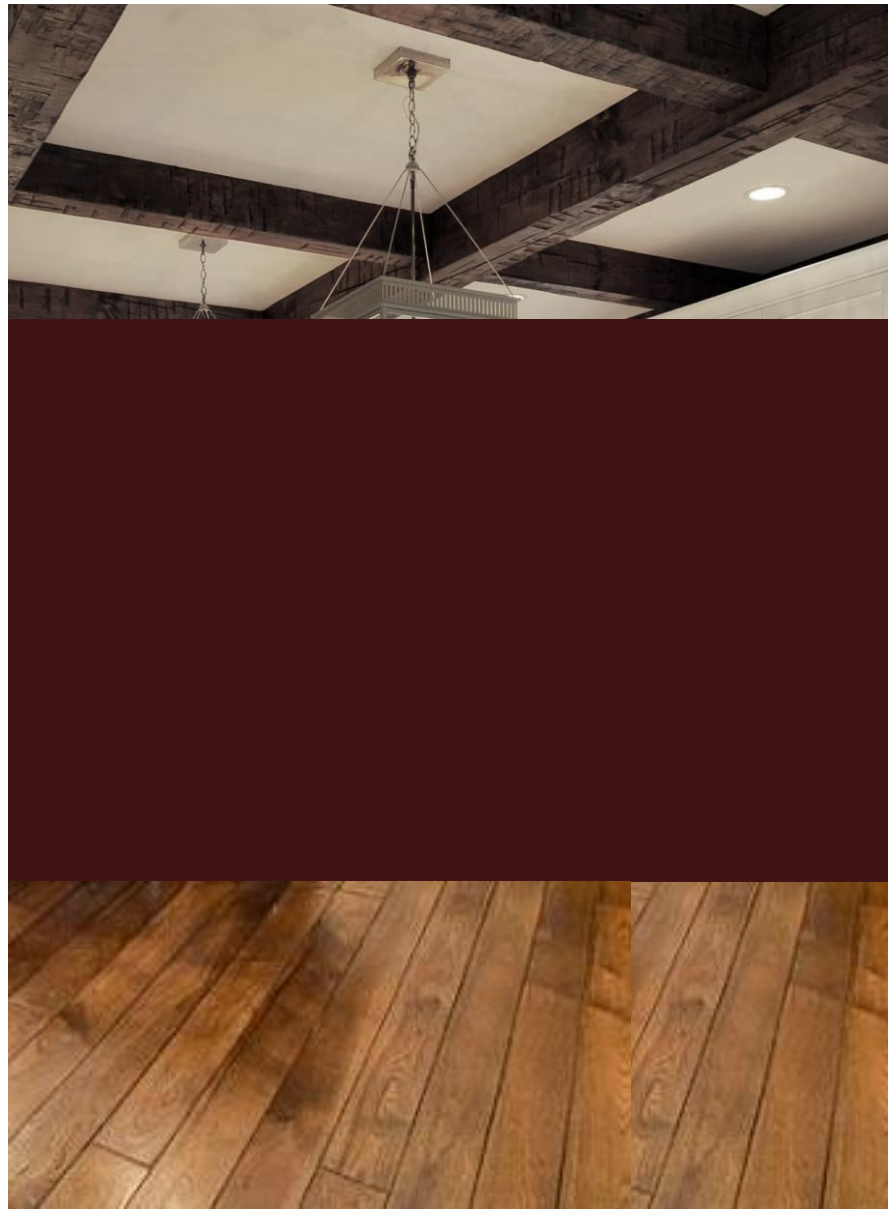
OPTION 2

MASTER BEDROOM

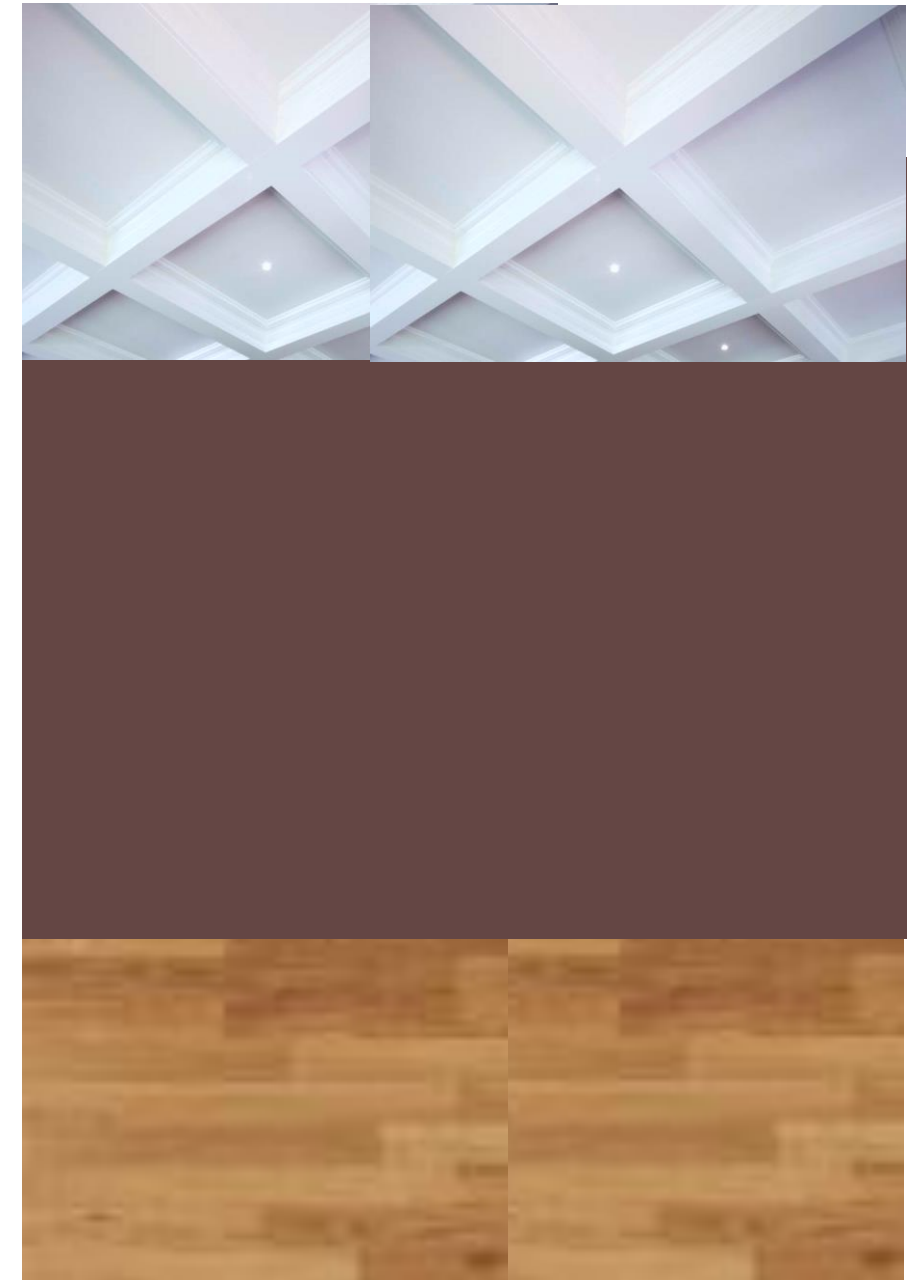


Walking down the short hallway, the comfort of lying in bed fills every thought. It is safe and warm, no stresses or worries can disrupt the coziness. There are no distracting noises or troubling thoughts, just the excitement of tomorrow to be with family in our home together.

MASTER BEDROOM



OPTION 1



OPTION 2

MASTER BATHROOM



Walking into the bathroom my feet are warmed by the radiant floor. The light pours in from the outside and reflected off the mirror. The walk in shower waits to be used and it won't be long until I am reaching for a warm and cozy towel.

MASTER BATHROOM



OPTION 1



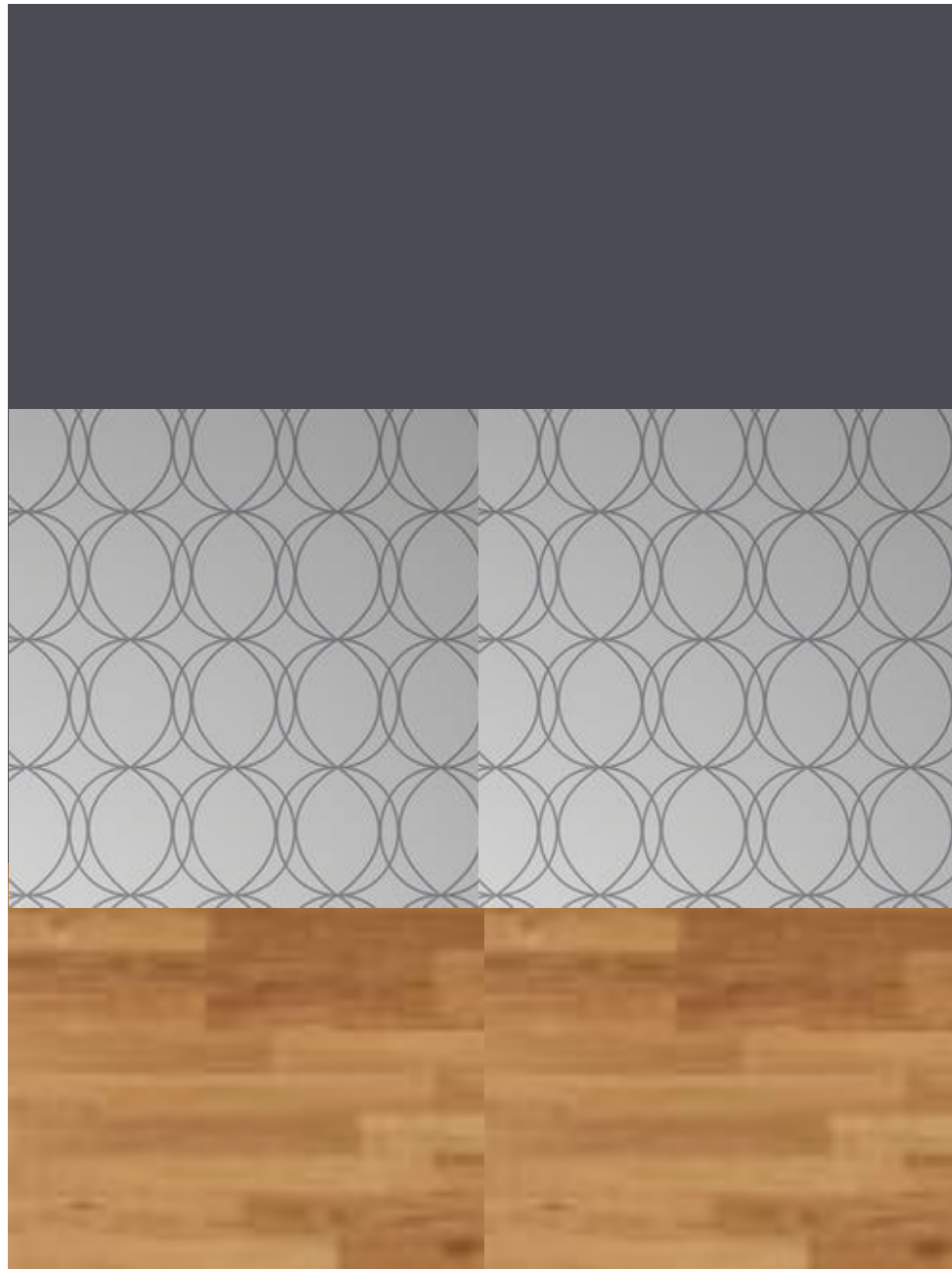
OPTION 2

GUEST BEDROOM

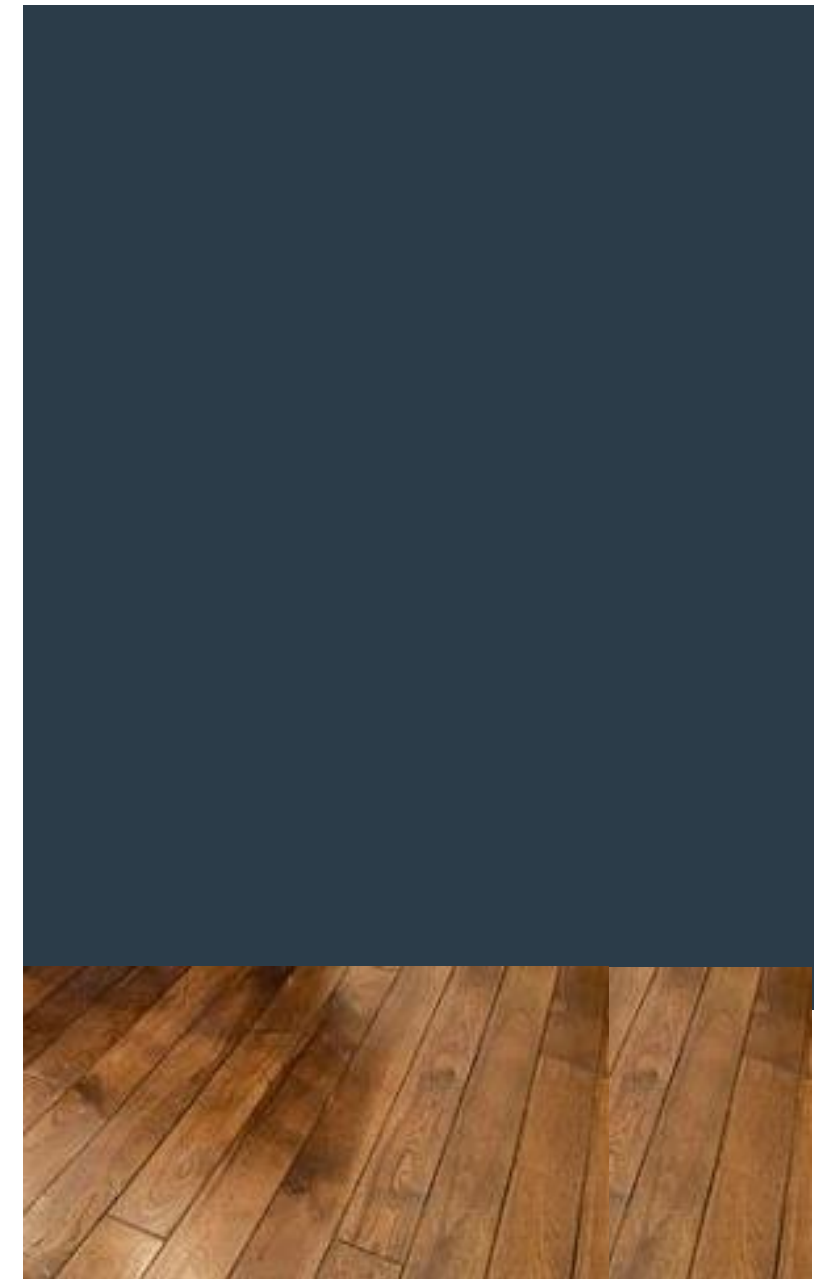


I can hear the low chatter of my family as they enjoy each other's company. As much as I want to be out there with them, my eyes struggle to stay open. The comfort and security of the bed surround me and I never want to leave.

GUEST BEDROOM



OPTION 1



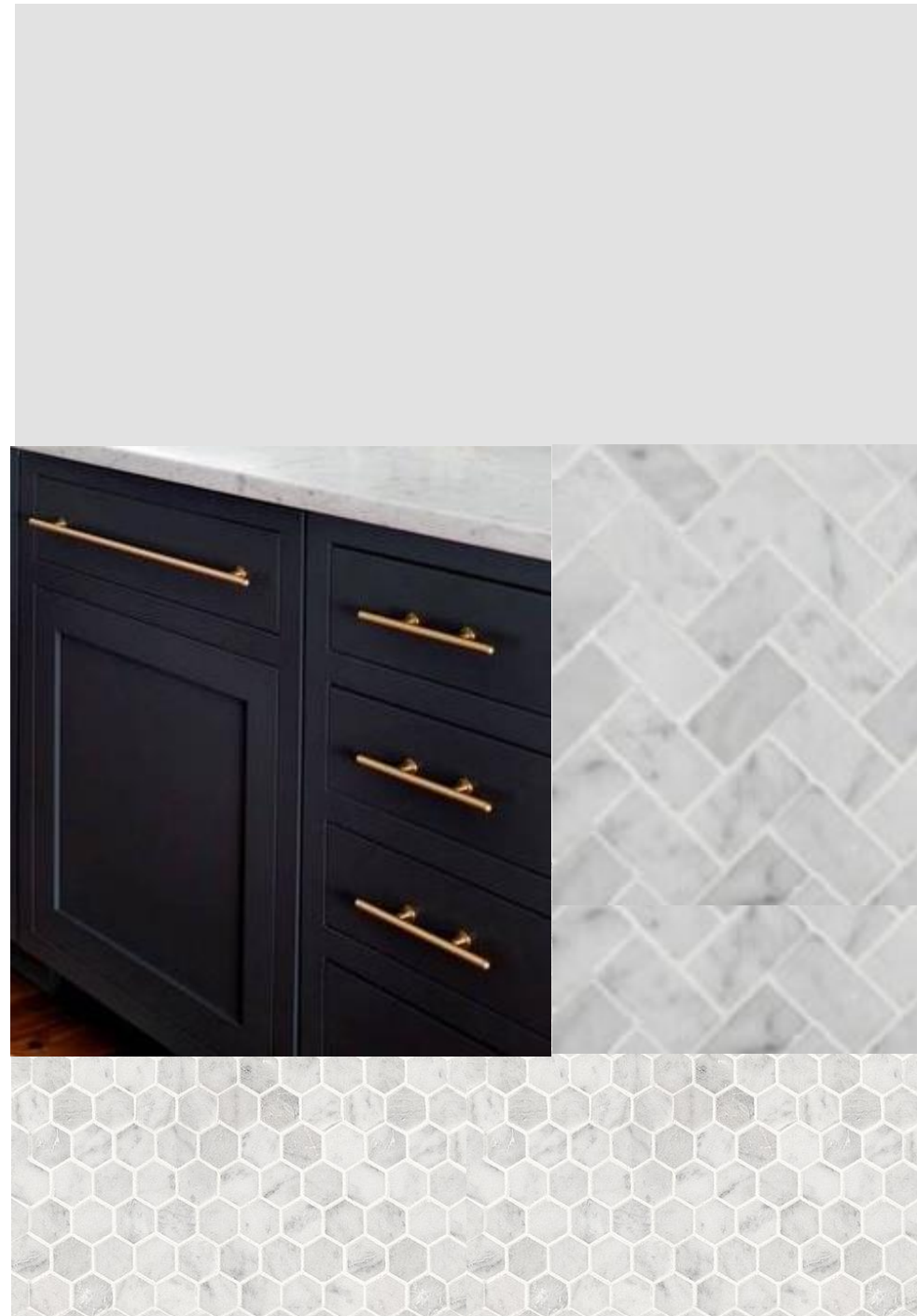
OPTION 2

GUEST BATHROOM

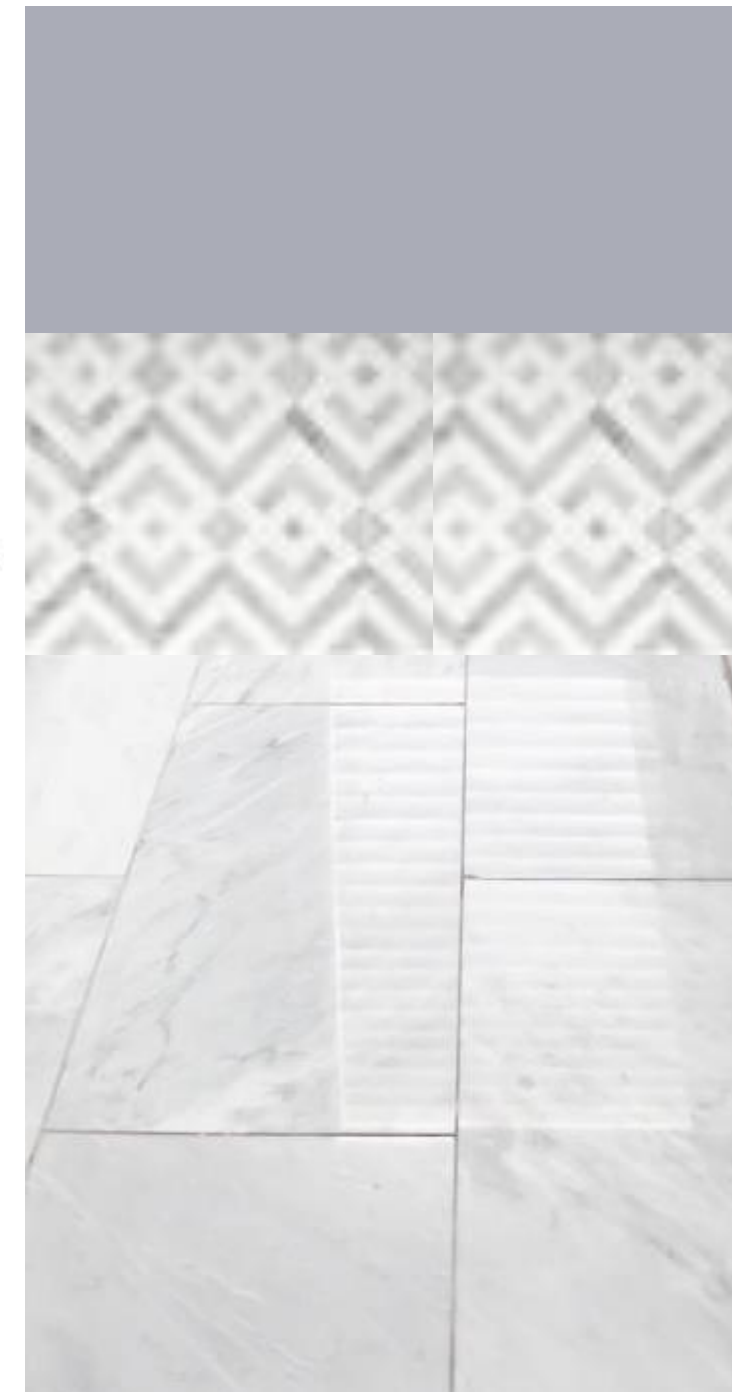


Traveling all day brings with it pure exhaustion, but a simple shower does wonders. The light gray tones calm every sense and I can truly relax.

GUEST BATHROOM



OPTION 1



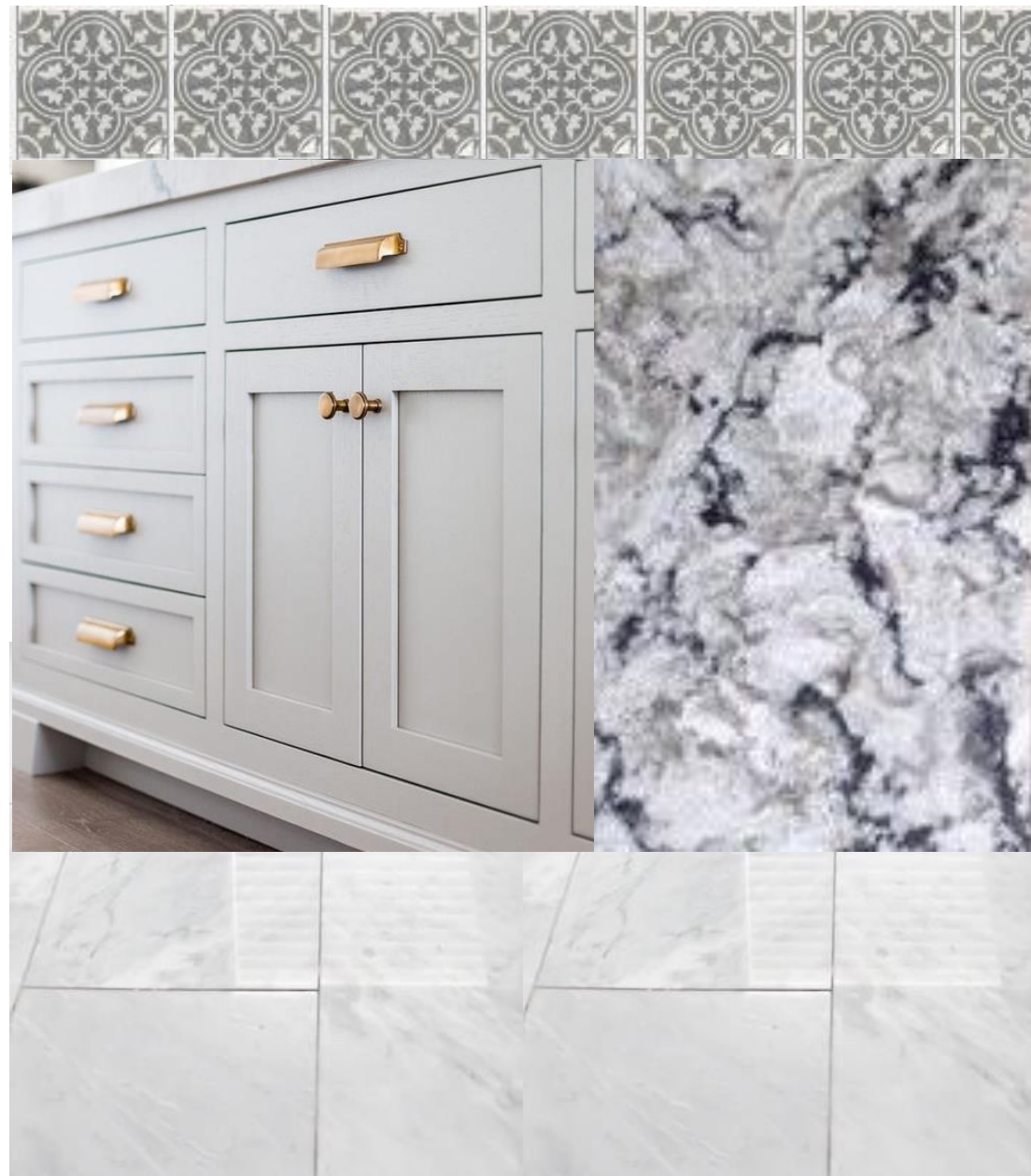
OPTION 2

LAUNDRY/UTILITY



At the end of the day I can hear the quiet hum of the washer as we enjoy spending time with one another.

LAUNDRY/UTILITY

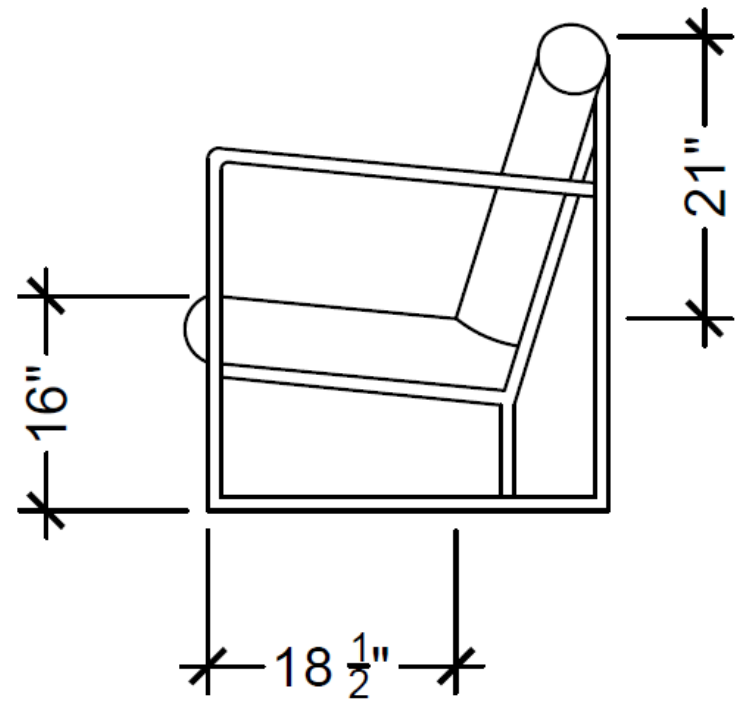
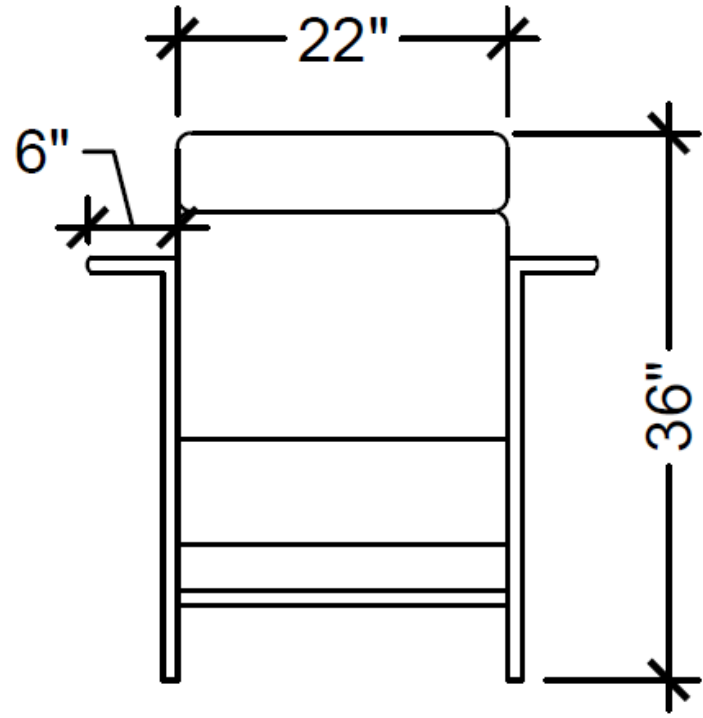


OPTION 1



OPTION 2

ANTHROPOMETRIC CHAIR



MISSION STYLE HISTORY

- Mission style originated in the 18th century and has elements of Spanish and Native American elements
- It became popular in the 20th century in western areas
- It also follows some aspects of Arts and Crafts
- Early structures were commonly made of wood, stucco, stone, brick, and tile



MISSION STYLE ELEMENTS

- Furniture is made of simple and straight lines
- Wooden beams and molding
- Arches in hallways and looking into kitchen
- Neutral pallet for finishes
- Spanish style backsplash
- Oriental rug in living room



HUMAN BEHAVIOR

- Enough space between furniture and architectural elements
- Doors have lever handles & cabinets have easy to grab bars rather than knobs
- Contrast in colors to make seeing depth easier
- Open common rooms for socializing
- Grab bars placed in bathrooms for extra support

